



PRODUCT CATALOG

www.alemite.com

TABLE OF CONTENTS



| | | |
|-----------|---|------------|
| 1 | <i>Our History</i> | 3 |
| 2 | <i>Grease Guns</i> | 9 |
| | Battery Powered Grease Guns | |
| | Battery Powered Grease Gun Accessories | |
| | Professional Series | |
| | Heavy Duty Series | |
| | High Pressure Series | |
| | Specialty Series | |
| | Standard Duty Series | |
| | Grease Gun Accessories | |
| 3 | <i>Pumps</i> | 27 |
| | Oil Pumps | |
| | Grease Pumps | |
| | Manual Pumps | |
| | Chemical and Material Handling Pumps | |
| | Diaphragm Pumps | |
| | Electric Pumps | |
| | Pump/Reel/Meter Package | |
| | Pump Accessories | |
| 4 | <i>Reels</i> | 61 |
| | Heavy Duty Reels | |
| | Compact Reels | |
| | Severe Duty Reels | |
| | Narrow Double Post Reels | |
| | High Capacity Reels | |
| | Enclosed Reels | |
| | Welding Reels | |
| | Twin Hose Reels | |
| | DEF (Diesel Exhaust Fluid) Hose Reels | |
| | Power & Light Reels | |
| | Specialty Reels | |
| | Hose Reel Accessories | |
| 5 | <i>Control Valves and Meters</i> | 83 |
| | Meters | |
| | High Volume | |
| | Control Valves | |
| | Miscellaneous | |
| | Lube Dispensing Stations | |
| | Accessories | |
| 6 | <i>Bulk Fluid Packages</i> | 97 |
| | Tank Packages | |
| | Trolley Packages | |
| | Equipment Packages | |
| 7 | <i>Industrial Lubrication Fittings</i> | 101 |
| | Zerk Fittings | |
| | Fittings for Extreme Environments | |
| | Drive Fittings | |
| | Metric Zerk Fittings | |
| | Button Head Fittings | |
| | Relief Fittings | |
| | Flush Type Fittings | |
| | Leakproof Fittings | |
| | Vents | |
| | Breathers | |
| | Specialty Fittings | |
| | Fitting Assortments | |
| | Fitting Accessories | |
| 8 | <i>Aerospace Fittings</i> | 133 |
| | Steel Fittings | |
| | Monel | |
| | Stainless Steel | |
| 9 | <i>Fluid Management Systems</i> | 139 |
| | AFCS Enterprise | |
| | Fluid Guard 2 | |
| | RFC Wireless FCS | |
| 10 | <i>Fluid Handling Equipment</i> | 145 |
| | Drains | |
| | Extractors | |
| | Dispensers | |
| | Diaphragm Pumps | |
| | Accessories | |
| 11 | <i>Diesel Fuel & Diesel Exhaust Fluid</i> | 151 |
| | DEF Pump Systems | |
| | DEF Diaphragm Pumps | |
| | Diesel Fuel Transfer Pump | |
| | DEF Hose Reels | |
| | DEF Accessories | |
| 12 | <i>Compressed Air Components</i> | 159 |
| | Filters, Regulators and Lubricators | |
| | Accessories | |
| 13 | <i>Single Point Lubricators</i> | 165 |
| | Grease Lubricators | |
| | Spring Driven Lubricators | |
| 14 | <i>Lubrication Accessories</i> | 169 |
| | Lube Truck Accessories | |
| | Dollies and Hand Trucks | |
| | Accessories | |
| 15 | <i>Oil Mist Systems</i> | 173 |
| | Oil-Mist Generators | |
| | High Capacity Oil-Mist Generators | |
| | Oil-Mist System Components | |
| | Oil-Mist System Accessories | |
| | Oil-Mist Nozzle Performance Curves | |
| | Large Capacity Generator Performance Curves | |
| 16 | <i>Example Product Configurations</i> | 193 |
| | Lube Truck | |
| | Grease Pump Systems with Heavy-Duty Reel | |
| | Heavy-Duty Grease Pump with Heavy-Duty Reel | |
| | Medium-Pressure Oil Pump and Reel Systems | |
| | Oil Pump Systems with Heavy-Duty Reel | |
| 17 | <i>Pump Performance Charts</i> | 201 |
| 18 | <i>Index</i> | 213 |

ALEMITE

High Pressure Lubricating System

THE ALEMITE STORY

It may be surprising to learn how many of today's lubrication practices are less than 100 years old. From the grease gun and grease fittings to service stations and lube trucks, the last 100 years have been filled with innovations that Alemite has either pioneered or refined as vital components for the lubrication industry.

Alemite products have quietly been a major part of many of the world's essential industries. Manufacturing, construction, agriculture, automotive, pulp and paper, aircraft maintenance, marine and mining industries have benefitted from the innovations introduced since its founding in 1918. It all started with a solution for a routine, daily task.

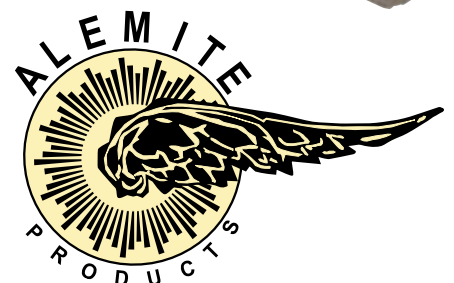
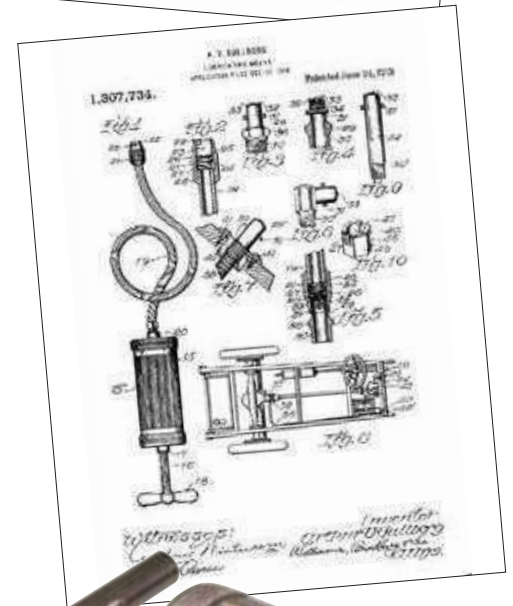
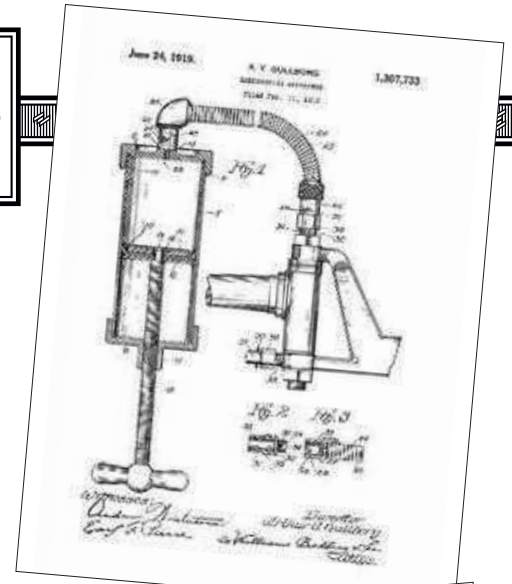
Lubrication Breakthrough

In 1916, a young man named Arthur Gullborg was tasked with the duty of lubricating the die-casting machines at the Alemite Die Casting and Manufacturing plant where his father was part owner. At the time, the only way to service the machines was to add oil into their refilling cups several times a day. This equipment was located in hot, dirty and unsafe conditions. At the end of his shift, Arthur was exhausted and covered in oil and grime. He knew there had to be a better way.

In order to improve on the messy cup design, Arthur began inventing different methods to lubricate the machines. It was through this effort that the idea of a better alternative was first conceived, utilizing a fitting (connector), hose (duct) and applicator (pump).

The fitting was hollowed out and fitted with a small spring with a metal ball at the end to help prevent the lubricant from escaping. The hose was composed of a flexible duct with a coupler on each end – one L-shaped and the other straight. The two different ends provided options when accessing a fitting, which often was difficult. The applicator would allow grease to be pushed under pressure through the hose to the application points. With this system, the bearings could be lubricated more quickly and easily.

This "pin-type" fitting and "screw-type" grease pump were the start of "The Alemite High-Pressure Lubricating System," named after the Alemite Die Casting and Manufacturing Company where it was invented. Both father and son soon saw the benefits as machines ran better with fewer repairs or breakdowns. In 1918, they formed the Alemite Lubrication Company.





Early Growth

The diverse possibilities of this system were beginning to become apparent. Seizing on the vast potential, the father and son team approached the U.S. Army with a quicker and more efficient way to maintain their fleet of trucks. After several test applications, the system was adopted as standard equipment on U.S. Army trucks manufactured by the White Motor Company of Cleveland, Ohio. Within months, other truck companies added the system to their vehicles. Before the end of the decade, Alemite fittings were being placed on more and more automobiles, trucks and farm equipment. The Alemite Lubrication System was quickly becoming the standard used in manufacturing and other industries.

In December 1919, Bassick Manufacturing Company purchased the Alemite Lubrication Company and renamed itself the Bassick-Alemite Corporation. This new company marketed the lubrication system under the Alemite brand. With the support of this new financial and corporate backing, it was soon adopted as the industry standard.

The Branding of a Household Name

One of the early marketing campaigns introduced the importance of proper lubrication for automobiles. During that time, many individuals were servicing their own vehicles. The campaign became a very successful tool for Alemite, and soon many automobiles were equipped with Alemite fittings. Some models even included an Alemite "grease gun" as standard equipment. As a result of the marketing campaign, automobile owners learned that the grease gun was as indispensable as the tire iron and spark plug wrench.

As automobiles became more affordable, gasoline stations began to see a way to capitalize on other aspects of the automobile industry. Many of them quickly changed into "service" stations, relieving the automobile owner of the disagreeable task of lubrication. Recognizing this, Alemite introduced the H-15 hand-operated lubrication pump, further facilitating the transition from gasoline station to service station.

In 1924, Alemite introduced the P-25 air-operated lubrication service pump to meet the demand for quicker and easier servicing tools. With a 25-pound capacity, the pump enabled service stations to lubricate a vehicle much faster, making it more profitable for business owners. Later that same year, the P-100 was introduced for those performing a large volume of lubrication services. It soon became common throughout the industry to "alemite" vehicles.

In April of that year, Alemite purchased the Allyne-Zerk Company, and the Zerk line of lubricant fittings and guns was added to the Alemite offering. This new line of products featured a "push-type" system, differentiating it from Alemite's "pin-type" system. Later that same year, the Stewart-Warner Speedometer Corporation acquired the Bassick-Alemite Corporation, adding even more opportunities for growth.



H-15





OUR HISTORY

Just as the automotive industry was making Alemite a household name, industrial and manufacturing businesses saw the need for a more rugged, heavy-duty lubricating system. In 1922, a new "button-head" system was introduced by Alemite for construction equipment and other industries. Its The Alemite Story

From Automobiles to Aviation

Developments in industry and manufacturing grew, but the greater potential for growth was found in the automotive industry. In 1925, Alemite introduced gear lubrication service as part of its national advertising campaign. The campaign encouraged motorists to change their motor oil every 500 miles, thus creating the first maintenance standard for the automotive service industry.

Advancements in the aviation industry also were taking root. In May 1927, Charles Lindbergh made the first solo, non-stop, transatlantic flight from New York to Paris in the "Spirit of St. Louis," a single-propeller airplane that featured an engine equipped with Alemite lubricators. Alemite innovations were everywhere.

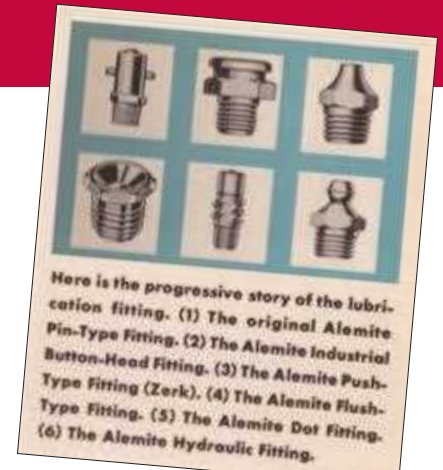
Portable Progress

By 1930, industrial equipment and large machinery were becoming more common, and the need to lubricate machinery "in the field" led Alemite to develop the "portable service station" for the Caterpillar Tractor Company. Multiple lubrication pumps, hose reels and a variety of other equipment needed for field service were mounted permanently on the bed of a truck. This concept led to U.S. military services requesting custom-designed units in vast numbers before and during World War II. These "lube trucks" became commonplace and are still used by various industries and construction companies today.

Progress continued during World War II as industry was moving faster. The need for efficient and continuous operations became apparent. Alemite made advancements in several industries with lubrication tools and products. From fittings and pumps to various oil-based fluids, the Alemite name and its influence quickly became common. So common, in fact, that the verb alemite was added to the 1945 printing (1934 copyright) of Webster's New International Dictionary, Second Edition and remained for several years.

Postwar Innovations

After World War II, Alemite quickly recognized the potential for growth in the service industry. The demand for clean and efficient shops meant modernizing outdated service bays. Offering everything needed to fill that demand in a new ultra-modern layout, Alemite could fit a shop with a "back room" where the drums and pumps could be kept out of sight. Front cabinets and shielded reels provided a polished and clean service area. A 27-month warranty (the forerunner to modern warranties) was offered on all new "Atomic" pumps introduced by Alemite during this period.





OUR HISTORY



In the 1950s, three new lines of pumps were introduced to meet the demands of various industries and automotive service shops. Pumps able to withstand water, detergents and other corrosive liquids were launched under the "Spray-Kleen" line.

During this same period, Alemite engineers developed the Oil-Mist System of lubrication for commercial applications. It had several advantages over other methods of lubrication, specifically where continuous lubrication was needed. The system did not have any moving parts yet could deliver a constant, measured stream of clean, atomized oil to provide a cost-effective option for ongoing automatic lubrication.

Throughout the 1960s, Alemite continued to function as a resource and manufacturer of quality and reliable lubrication products. With refinements to pump efficiency and productivity, specialized pumps were introduced to meet requests from several industries. As clients expressed their needs, Alemite developed and improved various products. Pumps for inks and adhesives, along with self-contained, single-point lubricators, showed the versatility of Alemite's commitment to the industries it served.



A New Era Begins

In 1975, a plant in Johnson City, Tenn., was purchased with the goal of centralizing the engineering and manufacturing process. By 1984, the Model 500 grease gun was introduced and proved itself as a workhorse of the industry. This introduction once again supported the fact that the Alemite brand was a strong symbol of quality and reliability.

During the next several years, the Johnson City plant would become the central location for research and design along with manufacturing and distribution. The products manufactured at this facility showed Alemite's commitment to excellence.



In the late 1990s, Alemite introduced the RAM pump line. These pumps were efficient, quieter and more reliable than others on the market. Providing dependable operation, this new line of rugged, high-volume pumps set the bar for pump design and had other manufacturers scrambling to catch up.

Advancing Toward the Future

At the beginning of the new millennium, Alemite introduced a new line of aerospace fittings that were designed to meet the stringent requirements of SAE AS 35411, including performance tests, extensive documentation and complete traceability of materials. Along with aerospace fittings, a specially designed "Dual-Leverage" grease gun system was introduced in 2001, giving operators the ability to quickly choose either high-volume or high-pressure when lubricating grease fittings.





OUR HISTORY

As the popularity of cordless tools began to rise, Alemite brought its powerful, 12-volt, battery-operated grease gun to the market, creating a new era of lubrication. In 2005, Alemite introduced the first 14.4-volt, battery-operated grease gun, making routine lubrication even quicker and more efficient.

Within the last 10 years, serious advancements in technology have aided in the introduction of two products for the lubrication industry. Alemite saw the growing demand for grease guns with more power and the ability to provide real-time tool information. In 2014, the 20-volt, lithium-ion grease gun was introduced for maintenance professionals. With its built-in intelligence, the innovative Model 596 featured a multi-function display to indicate cartridge level, battery charge level, amount of grease dispensed and several other important tool details.

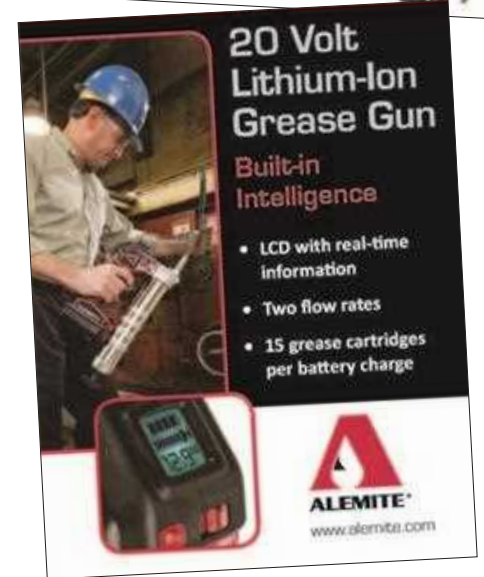
In 2015, a new era in automatic lubrication was born when the Alemite 24/7 single-point lubricator was introduced. Designed to automatically supply a small quantity of lubricant to a single lubrication point on a regular basis for up to one year, these lubricators help to increase machine reliability, improve employee safety and optimize maintenance operations.

Alemite engineers continue to make advancements in lubrication technology. In 2017, the lever-action grease coupler was offered to make quick work of routine lubrication tasks. This newly designed coupler creates a superior seal and stays attached to the fitting, even when the lever is released. This enables single-handed operation of the grease gun.

Timeless Commitment

As Alemite looks forward, its commitment to providing quality products across the globe endures. From custom-designed solutions to routine lubrication tools, Alemite engineers develop, design and manufacture products based on "voice-of-the-customer" input.

Many manufacturers have come and gone during the last 100 years, but Alemite remains the trusted brand used by lubrication professionals worldwide. Committed to its customers and promising to provide lubrication solutions that meet the demands of the modern world, Alemite continues to stand strong as a partner and leader in the lubrication industry.





GREASE GUNS



- ▶ Battery Powered Grease Guns and Accessories
- ▶ Professional Series
- ▶ Heavy Duty Series
- ▶ High Pressure Series
- ▶ Specialty Series
- ▶ Standard Duty Series
- ▶ Grease Gun Accessories

Alemite Grease Guns are built to perform in demanding applications. Unique, innovative designs ensure excellent performance, and strong attention to quality production provides maximum durability. With the most outstanding range of products offered, Alemite Grease Guns and Accessories will maximize your lubrication productivity.

BATTERY POWERED GREASE GUNS

Alemite cordless grease guns offer the highest grease delivery of any in the market. Our patented design featuring the motor in the handle provides excellent balance with an extremely durable glass fiber reinforced housing.

20 Volt Lithium-Ion (596 & 597 Series)

FEATURES:

- LCD with real-time information:
 - Grease meter
 - Cartridge level
 - Battery capacity gauge
- High and low flow settings
- LED flashlight with on/off control
- Patented airflow management optimizes motor and transmission life

INCLUDES:

- 20 V Battery (models available with one or two batteries)
- 20 V Charger
- Heavy Duty Carrying Case

ACCESSORIES:

- 20 V – 2.5A Li-Ion Battery (343291)
- 20 V – 4.0A Li-Ion Battery (343521)
- 110 V/60 Hz Battery Charger (343500)
- 220 V/50 Hz European Battery Charger (343501)
- 12/24 V DC Mobile Charger (343289)
- 36" (90 cm) Whip Hose (340067)
- Nylon Tool Strap (339812)



| Product # | Charger | Li-Ion Battery ⁽¹⁾ | Pressure | Flow Rate (per minute) | | Cartridges (per charge) | | Tool Weight |
|-------------|-------------|-------------------------------|----------------------|------------------------|----------------|-------------------------|-----------|-----------------|
| | | | | High | Low | High Speed | Low Speed | |
| 596-A1 | 120 V/60 Hz | (1) 2,500 mAh | 10,000 psi (690 bar) | 6.0 oz (170 g) | 4.0 oz (113 g) | 23 | 24 | 6.3 lb (2.9 kg) |
| 596-B1 | 120 V/60 Hz | (2) 2,500 mAh | 10,000 psi (690 bar) | 6.0 oz (170 g) | 4.0 oz (113 g) | 23 | 24 | 6.3 lb (2.9 kg) |
| 596-C1 (EU) | 220 V/50 Hz | (1) 2,500 mAh | 10,000 psi (690 bar) | 6.0 oz (170 g) | 4.0 oz (113 g) | 23 | 24 | 6.3 lb (2.9 kg) |
| 596-D1 (EU) | 220 V/50 Hz | (2) 2,500 mAh | 10,000 psi (690 bar) | 6.0 oz (170 g) | 4.0 oz (113 g) | 23 | 24 | 6.3 lb (2.9 kg) |
| 597-A | 110 V/60 Hz | (1) 4,000 mAh | 10,000 psi (690 bar) | 6.0 oz (170 g) | 4.0 oz (113 g) | 38 | 40 | 7.0 lb (3.2 kg) |
| 597-B | 110 V/60 Hz | (2) 4,000 mAh | 10,000 psi (690 bar) | 6.0 oz (170 g) | 4.0 oz (113 g) | 38 | 40 | 7.0 lb (3.2 kg) |
| 597-C (EU) | 220 V/50 Hz | (1) 4,000 mAh | 10,000 psi (690 bar) | 6.0 oz (170 g) | 4.0 oz (113 g) | 38 | 40 | 7.0 lb (3.2 kg) |
| 597-D (EU) | 220 V/50 Hz | (2) 4,000 mAh | 10,000 psi (690 bar) | 6.0 oz (170 g) | 4.0 oz (113 g) | 38 | 40 | 7.0 lb (3.2 kg) |

⁽¹⁾ Maximum initial voltage, 18 V nominal

BATTERY POWERED GREASE GUNS

14.4 Volt Lithium-Ion (586 Series)

FEATURES:

- Maximum power and pressure
 - Up to 15 cartridges of grease per charged battery
 - Check valve optimizes flow
 - Top-of-class powertrain efficiency handles heavy loads with ease
- Robust reliability
 - Glass-fiber-reinforced nylon housing for superior impact and wear resistance
 - Patented airflow management system optimizes motor and transmission life
 - Handle includes tube guide and charge indicator
- Easy, ergonomic operation
 - Convenient 3-way loading – cartridge, bulk or suction
 - Patented automatic universal follower – no need to flip follower when changing loading methods
 - 3-foot/1 meter ultra-flexible hose for maneuverability in tight, hard-to-reach spots



586 SERIES ACCESSORIES:

- 14.4 V Li-Ion Battery (343432)
- 110 V/60 Hz Battery Charger (343500)
- 220 V/50 Hz European Battery Charger (343501)
- 12/24 V DC Mobile Charger (343289)
- 36" (90 cm) Whip Hose (340067)
- Nylon Tool Strap (339812)

| Product # | Charger input | Li-Ion Battery | Pressure | Flow rate (per minute) | Cartridges (per charge) | Tool Weight |
|------------|---------------|----------------|----------------------|------------------------|-------------------------|-----------------|
| 586-A | 120 V/60 Hz | (1) 2,000 mAh | 10,000 psi (690 bar) | 5.6 oz (159 g) | 15 | 6.3 lb (2.9 kg) |
| 586-B | 120 V/60 Hz | (2) 2,000 mAh | 10,000 psi (690 bar) | 5.6 oz (159 g) | 15 | 6.3 lb (3.1 kg) |
| 586-C (EU) | 230 V/50 Hz | (1) 2,000 mAh | 10,000 psi (690 bar) | 5.6 oz (159 g) | 15 | 6.3 lb (2.9 kg) |
| 586-D (EU) | 230 V/50 Hz | (2) 2,000 mAh | 10,000 psi (690 bar) | 5.6 oz (159 g) | 15 | 6.3 lb (3.1 kg) |

All 586 Series kits include a charger and carrying case.

BATTERY POWERED GREASE GUN ACCESSORIES

Accessories including mobile chargers and grease meters maximize the productivity of your Alemite Battery Powered Grease Gun.



339812



3530



340338

| Product # | Description | Remarks |
|-----------|---|--|
| 3530 | Grease meter | Adapter 340062 required |
| 339812 | Carrying strap | Reduces fatigue, allows easy storage |
| 340067 | 36" (90 cm) Hose replacement | 10,000 psi (690 bar) working pressure, with spring guards |
| 340338 | Relief valve | Relieves pressure to ease coupler removal from fitting |
| 343170 | Flashlight (LED) with clip | For use with any cordless grease gun |
| 343289 | 14.4 V and 20 V Li-Ion Mobile battery charger | For use with 586, 596 & 597 Series |
| 343500 | 110 V/60 Hz, 14.4 V and 20 V Li-Ion battery charger | For use with 14.4 V and 20 V Li-Ion 586, 596 & 597 Series |
| 343501 | 220 V/50 Hz 14.4 V and 20 V Li-Ion European battery charger | For use with 14.4 V and 20 V Li-Ion 586, 596 & 597 Series |
| 308730 | Grease coupler replacement | 10,000 psi (690 bar) maximum pressure |
| 322610 | Bulk loader fitting | For use with 596 & 597 Series |
| F331035 | Grease gun holder | For wall mounting professional and standard series grease guns |

PROFESSIONAL SERIES

Alemite Professional Series Grease Guns are designed to consistently deliver excellent performance, and are known for their reliability and durability. Available in standard and high volume models.

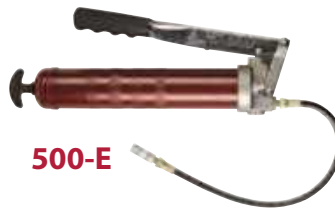
Lever Guns

500 SERIES ACCESSORIES:

- Rigid Extension (53986)
- 18" (45 cm) Whip Hose (B337595-B1)
- Grease Coupler (308730)



500



500-E



500-L

| Product # | Description | Pressure | Delivery | Cylinder Capacity | Included Items |
|-----------|--------------------------|----------------------|----------------------------|-------------------|--|
| 500* | Lever gun | 10,000 psi (690 bar) | 1 oz (28.35 g) /21 strokes | 16 oz (454 g) | Rigid extension, coupler, loader fitting |
| 500-E* | Lever gun with hose | 10,000 psi (690 bar) | 1 oz (28.35 g) /21 strokes | 16 oz (454 g) | 18" (45 cm) flexible hose, coupler, loader fitting |
| 500-L* | Lever gun, high capacity | 10,000 psi (690 bar) | 1 oz (28.35 g) /21 strokes | 24 oz (680 g) | Rigid extension, coupler, loader fitting |

* ⚠️ **WARNING** California Proposition 65: Cancer and reproductive harm. www.P65Warnings.ca.gov

Pistol Grip Guns

FEATURES:

- Develops up to 7,500 psi (516 bar) pressure
- Simple, quick priming – heavy duty follower spring to maintain prime
- Exclusive dual leverage feature – volume or pressure mode
- Ergonomic, rugged cast handle
- Universal follower for cartridge and bulk use
- Reliable, long lasting coupler
- Bleeder valve



555



555-E

555 SERIES ACCESSORIES:

- 18" (45 cm) Whip Hose (B337595-B1)
- Straight Rigid Extension & Coupler (339570)
- Grease Coupler (308730)

| Product # | Pressure | Delivery ^{(1) (2)} | Cylinder Capacity | Included Items |
|-----------|---------------------|-----------------------------|-------------------|---------------------------------------|
| 555 | 7,500 psi (516 bar) | 1 oz (28 g) /30 strokes | 16 oz (454 g) | Rigid extension and coupler |
| 555-E | 7,500 psi (516 bar) | 1 oz (28 g) /30 strokes | 16 oz (454 g) | 18" (45 cm) flexible hose and coupler |

⁽¹⁾ Both models require 67 strokes to dispense 1 ounce (28 grams) of grease in high pressure mode.

⁽²⁾ Delivery rate is based on high volume mode.

HEAVY-DUTY GREASE GUNS WITH CLEAR TUBE

Alemite's clear grease gun tube lets you see exactly what type of grease is in the cartridge, providing confidence that you are using the specified lubricant for the job.

Heavy-Duty Clear Grease Gun Tube

Developed to meet the specific needs of customers, these products are suitable for general industry, agriculture, construction, vehicle service, food and beverage, and aerospace.

FEATURES:

- Avoids wasting costly or specialty greases
- Protects equipment from damage caused by wrong grease
- Delivers level of safety in the food and beverage industry
- Prevents cross-contamination of grease
- High-strength polycarbonate body
- Aircraft aluminum endcaps
- Easily replaces existing steel tubes

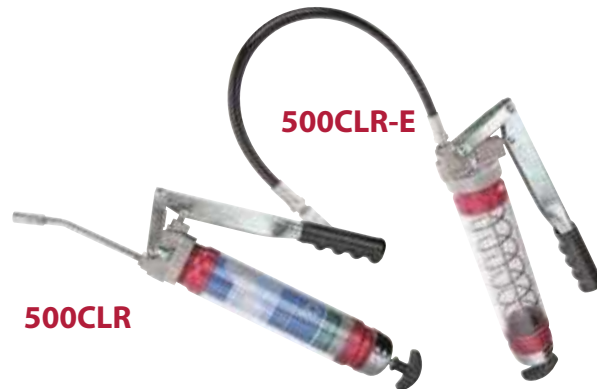


343632 Clear Tube

| Product # | Description |
|-----------|---|
| 343632 | Clear Tube Accessory |
| 500CLR | Lever-Action Grease Gun with Clear Tube and Rigid Steel Extension |
| 500CLR-E | Lever-Action Grease Gun with Clear Tube and Flexible Hose |
| 555CLR | Pistol-Grip Grease Gun with Clear Tube and Rigid Steel Extension |
| 555CLR-E | Pistol-Grip Grease Gun with Clear Tube and Flexible Hose |

Series 500CLR / 500CLR-E lever-action grease guns

- Develop up to 10,000 psi (690 bar)
- Rugged die-cast aluminum head
- Robust, polycarbonate clear tube with aluminum endcaps
- Comfortable and sure grip
- Proven reputation, industry's premium tool
- Available with flexible hose or rigid steel extension
- Bleeder valve



Series 555CLR / 555CLR-E Pistol-grip grease guns

- Develop up to 7,500 psi
- Quick priming – heavy-duty follower spring to maintain prime
- Exclusive dual leverage feature – volume or pressure mode
- Robust, polycarbonate clear tube with aluminum endcaps
- Ergonomic, rugged cast handle
- Premium coupler
- Available with flexible hose or rigid steel extension
- Bleeder valve

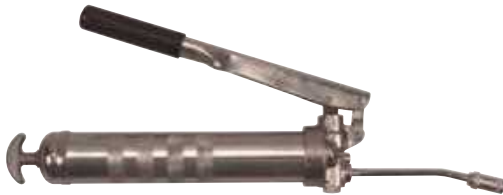


PROFESSIONAL SERIES

High Volume Guns

FEATURES:

- Develops up to 1,800 psi (124 bar) pressure
- High output per stroke
- Patented follower allows cartridge or bulk loading without gun disassembly
- Cast iron head for durability
- Vinyl cover for a comfortable and sure grip
- 3 way loading (cartridge, suction, or fast refill from loader pump)



4015-A4



4015-B4

| Product # | Pressure | Delivery | Cylinder Capacity | Included Items |
|-----------|---------------------|-------------------------|-------------------|-----------------------------|
| 4015-A4 | 1,800 psi (124 bar) | 1 oz (28 g) / 7 strokes | 16 oz (454 g) | Rigid extension and coupler |
| 4015-B4 | 1,800 psi (124 bar) | 1 oz (28 g) / 7 strokes | 24 oz (680 g) | Rigid extension and coupler |

HEAVY DUTY SERIES

Alemite Heavy Duty Series Grease Guns are made for the lubrication professional, providing guaranteed performance in severe conditions. Alemite Heavy Duty Grease Guns have die cast steel or cast iron heads, and rugged body and follower construction to meet the toughest lubrication challenges.

Heavy Duty - Lever

- Develops up to 10,000 psi (690 bar) pressure
- Dual Lever mechanism allows for high volume output or high pressure delivery.
- Patented follower allows cartridge or bulk loading without gun disassembly
- Die cast steel head for exceptional durability
- Vinyl cover for a comfortable and sure grip
- 3 way loading - cartridge, suction, or fast refill from Alemite Loader Pump
- Bleeder valve
- Zinc plated finish
- Gun outlet – 1/8" NPTF



1056-S4



1056-SE4



1056-LE4

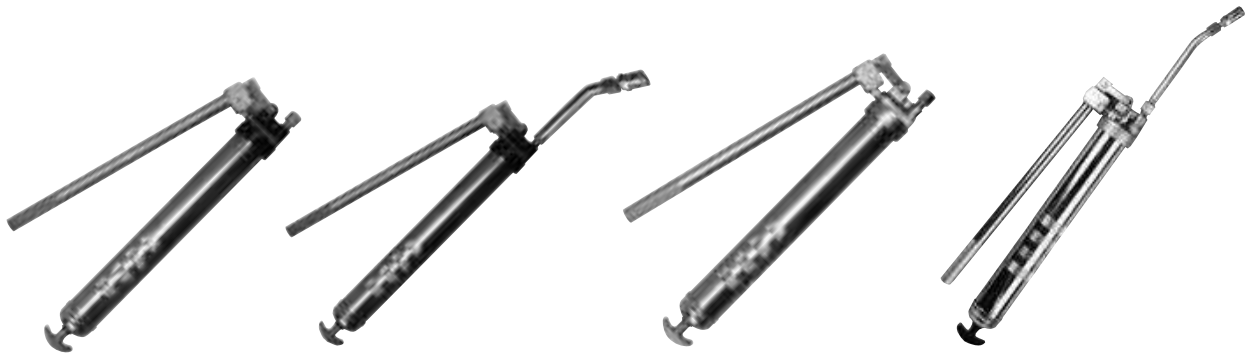
| Product # | Pressure | Delivery | Cylinder Capacity | Included Items |
|-----------|----------------------|--|-------------------|-----------------------------|
| 1056-S4 | 10,000 psi (690 bar) | 1 oz (28 g) /16 strokes (high volume mode) 1 oz (28 g) /25 strokes (high pressure mode) | 16 oz (454 g) | Extensions available |
| 1056-SE4 | 10,000 psi (690 bar) | 1 oz (28 g) /16 strokes (high volume mode) 1 oz (28 g) /25 strokes (high pressure mode) | 16 oz (454 g) | Rigid extension and coupler |
| 1056-LE4 | 10,000 psi (690 bar) | 1 oz (28 g) /16 strokes (high volume mode) 1 oz (28 g) /25 strokes (high pressure mode) | 24 oz (680 g) | Rigid extension and coupler |

HEAVY DUTY SERIES

Heavy Duty - Extra Long Solid Lever

FEATURES:

- Develops up to 10,000 psi (690 bar) pressure
- Extra long solid lever for maximum leverage
- Large capacity 24 ounce (680 grams) cylinder
- Cast iron head for durability
- 3 way loading - cartridge, suction, or fast refill from Alemite Loader Pump
- Bleeder valve
- Zinc plated finish
- Gun outlet – ¼" NPTF



6243-J3

6243-J3E

6679-J3

6679-J3E

| Product # | Pressure | Delivery | Cylinder Capacity | Included Items |
|-----------|----------------------|-------------------------|-------------------|---|
| 6243-J3 | 10,000 psi (690 bar) | 1 oz (28 g) /20 strokes | 24 oz (680 g) | Check valve and loader fitting |
| 6243-J3E | 10,000 psi (690 bar) | 1 oz (28 g) /20 strokes | 24 oz (680 g) | Rigid extension and coupler, loader fitting |
| 6679-J3 | 5,000 psi (345 bar) | 1 oz (28 g) /10 strokes | 24 oz (680 g) | Check valve and loader fitting |
| 6679-J3E | 5,000 psi (345 bar) | 1 oz (28 g) /10 strokes | 24 oz (680 g) | Rigid extension and coupler, loader fitting |

HIGH PRESSURE SERIES

Alemite High Pressure Series Grease Guns will develop up to 15,000 psi pressure, and are designed to perform in harsh environments. In addition to grease, they are suitable to dispense sealants and other similar fluids. All steel construction ensures long life and reliability.

High Pressure Guns

FEATURES:

- Develops up to 15,000 psi (1,030 bar) pressure
- Cast iron head for durability
- Dispense very viscous lubricants
- Extra long solid lever for maximum leverage
- Fast loading through loader fitting using Alemite Loader Pump
- Bleeder valve
- Zinc plated
- Gun outlet – ¼" NPTF
- Available with gauge to allow monitoring of output pressure
- Compatible with J & K size stick lubricants



| Product # | Description | Pressure | Delivery | Cylinder Capacity | Included Items |
|-----------|---|---------------------------|--------------------------|-------------------|---|
| 6268-2 | Lever Gun, High Pressure | 15,000 psi (1,030 bar) | 1 oz (28 g) / 24 strokes | 12 oz (340 g) | – |
| 325540-1 | Lever Gun, High Pressure with Hose Assembly and Gauge | 15,000 psi (1,030 bar) | 1 oz (28 g) / 24 strokes | 12 oz (340 g) | Carrying strap, relief valve, giant button head coupler, 2 swivels (B52750, B52752), high pressure "T", gauge hose assembly and adapter |
| 325540-2 | Lever Gun, High Pressure with Hose Assembly and Gauge | 15,000 psi (1,030 bar) | 1 oz (28 g) / 24 strokes | 12 oz (340 g) | Carrying strap, Saf-T-Vent coupling, 2 swivels (B52750, B52752), high pressure "T", gauge hose assembly and adapter |

SPECIALTY SERIES

Alemite Specialty Series Grease Guns provide an array of guns meeting unique requirements for special applications, building on Alemite's 90 years of leadership in grease gun design.

Pneumatic Guns

The Alemite Pneumatic Grease Gun offers simple, trouble free air operation with a trigger mechanism to dispense grease.

FEATURES:

- Develops up to 6,000 psi (413 bar) pressure
- Delivers 1 ounce (28 grams) per 7 cycles
- 3 way loading - cartridge, suction, or fast refill from Alemite Loader Pump
- Intermittent/semi-automatic operation (single shot dispensing)
- Rigid extension and coupler included



F100

| Product # | Description | Pressure | Delivery | Cylinder Capacity | Included Items |
|-------------|---------------------------|---------------------|------------------------|-------------------|-----------------------------|
| F100 | Pneumatic (No Count Flow) | 6,000 psi (413 bar) | 1 oz (28 g) / 7 cycles | 16 oz (454 g) | Rigid Extension and Coupler |

Maximum inlet pressure of 100 psi (6.9 bar).

Screw Type Guns

The original Alemite grease gun, designed for most types of pressure gun lubricants. Turning the screw handle dispenses a controlled amount of lubricant.

FEATURES:

- 8 ounce (227 grams) capacity
- Gun outlet – 1/8" NPTF
- Requires Alemite flexible extension with coupler (B6703-A)



C600

| Product # | Description | Cylinder Capacity |
|-------------|---------------------------|-------------------|
| C600 | Screw Type Compressor Gun | 8 oz (227 g) |

Suction Guns

The Alemite Suction Gun is used for draining non-corrosive lubricants.

FEATURES:

- 16 ounce (454 grams) capacity
- 12" (30 cm) flexible vinyl hose included



F105

| Product # | Description | Cylinder Capacity | Included Items |
|--------------|-------------|-------------------|---------------------------------|
| F105* | Suction Gun | 16 oz (454 g) | 12" (30 cm) Flexible Vinyl Hose |

* ⚠ **WARNING** California Proposition 65: Cancer and reproductive harm. www.P65Warnings.ca.gov

SPECIALTY SERIES

Oil Guns

Alemite's Heavy Duty Lever Oil Gun is specially designed for use with oil. The gun may be used to lubricate bearings, or to pre-charge hydraulic cylinders. Load the gun by pouring oil directly into the cylinder.

FEATURES:

- Develops up to 1,800 psi (124 bar) pressure
- Delivers 1 ounce (28 grams) per 7 strokes
- Large, 26 ounce (737 grams) capacity
- Buna-N seals are compatible with most oils
- Rigid extension and coupler included



| Product # | Description | Pressure | Delivery | Cylinder Capacity | Included Items |
|-----------|---------------|---------------------|-------------------------|-------------------|-----------------------------|
| 4035 | Lever Oil Gun | 1,800 psi (124 bar) | 1 oz (28 g) / 7 strokes | 26 oz (737 g) | Rigid extension and coupler |

STANDARD DUTY SERIES

Alemite Standard Duty Series Grease Guns are available in lever or pistol style, and are designed for most low and medium pressure applications.

Standard Lever Guns

FEATURES:

- Develops up to 4,300 psi (296 bar) (model F101) or 6,000 psi (413 bar) (model F106) pressure
- Rigid extension and coupler included



F101



F106

| Product # | Description | Pressure | Cylinder Capacity | Included Items |
|-----------|-------------|---------------------|-------------------|-----------------------------|
| F101* | Lever Gun | 4,300 psi (296 bar) | 14 oz (397 g) | Rigid extension and coupler |
| F106 | Lever Gun | 6,000 psi (413 bar) | 14 oz (397 g) | Rigid extension and coupler |

* **⚠ WARNING** California Proposition 65: Cancer and reproductive harm. www.P65Warnings.ca.gov

Standard Pistol Grip Guns

FEATURES:

- Develops up to 4,500 psi (310 bar) (model F103) or 2,900 psi (200 bar) (model F104) pressure
- 2 way loading – cartridge or suction
- Includes rigid extension and coupler
- Mini Pistol Grease Gun (model F104) uses 3 ounce cartridges (B408, 3-pack) and is small enough to fit easily into a tool box or storage compartment



F103



F104

| Product # | Description | Pressure | Cylinder Capacity | Included Items |
|-----------|------------------|---------------------|-------------------|---|
| F103 | Pistol Gun | 4,500 psi (296 bar) | 14 oz (397 g) | Rigid extension and coupler |
| F104 | Pistol Gun, Mini | 2,900 psi (200 bar) | 3 oz (85 g) | 3 oz (85 g) grease cartridge, rigid extension and coupler |

GREASE GUN ACCESSORIES

Alemite offers a large selection of high quality accessories to ensure durable, reliable performance.

Rigid Extensions

FEATURES:

- Easy to use triple jaw hydraulic coupler ends for a superior seal
- Designed to allow wide 25° leak proof sealing angle
- Ends are 1/8" NPTF(m)

| Product # | Length | Coupler | Extension | Use with Gun Model |
|-----------|-----------------|---------|-----------|--------------------|
| 6279 | 21" (53 cm) | 6304-B | – | All |
| B6638 | 6-3/4" (17 cm) | 6304-B | 53986 | All |
| B6638-A | 6-5/8" (17 cm) | 308730 | 53986 | All |
| 6638-B | 12-1/8" (31 cm) | 308730 | – | All |
| 54269 | 8" (20 cm) | 6304-B | – | 6243-J3, 6679-J3 |
| 339570 | 6.56" (17 cm) | 308730 | – | Pistol Grip Guns |



6279



6638-B

Extension Hoses

FEATURES:

- 1/8" NPTF(m) ends
- 12,000 psi (827 bar) burst pressure

| Product # | Length | Working Pressure | Hose Type | Hose End |
|------------|-------------|---------------------|---------------|--------------|
| B337595-A1 | 12" (30 cm) | 6,000 psi (413 bar) | Thermoplastic | 1/8" NPTF(m) |
| B337595-B1 | 18" (45 cm) | 6,000 psi (413 bar) | Thermoplastic | 1/8" NPTF(m) |
| B317850-1 | 12" (30 cm) | 4,800 psi (330 bar) | Elastomeric | 1/8" NPTF(m) |
| 317850-1F | 18" (45 cm) | 4,800 psi (330 bar) | Elastomeric | 1/8" NPTF(m) |
| 317850-2 | 24" (60 cm) | 4,800 psi (330 bar) | Elastomeric | 1/8" NPTF(m) |
| 317850-3 | 36" (90 cm) | 4,800 psi (330 bar) | Elastomeric | 1/8" NPTF(m) |



B337595-A1



317850-2

WARNING

For use with hand-operated manual grease guns only. The pressure rating on these hose assemblies applies when used with hand-operated grease pumping equipment ONLY, such as manual grease guns or bucket pumps. DO NOT use with power-operated equipment. Rupture of the hose can result in serious injury such as fluid injection into the flesh. For powered equipment, refer to adapters and swivel devices, which can be safely used where rapid pressure rises are encountered.

GREASE GUN ACCESSORIES

Hose Assemblies for Hydraulic Fittings

| Product # | Length | Coupler | Hose | Working Pressure | Hose End |
|-----------|-------------|---------|-----------|---------------------|--------------|
| B6703-A | 12" (30 cm) | 308730 | 317850-1 | 4,800 psi (330 bar) | 1/8" NPTF(m) |
| 6703-B | 18" (45 cm) | 308730 | 317850-1F | 4,800 psi (330 bar) | 1/8" NPTF(m) |
| B6652-A | 12" (30 cm) | 6304-B | 317850-1 | 4,800 psi (330 bar) | 1/8" NPTF(m) |
| 6654-A | 18" (45 cm) | 6304-B | 317850-1F | 4,800 psi (330 bar) | 1/8" NPTF(m) |


6703-B

Hose Assemblies for Standard Button Head Fittings

| Product # | Length | Coupler | Swivel | Hose | Working Pressure | Hose End |
|-----------|-------------|---------|--------|----------|---------------------|--------------|
| 7089 | 12" (30 cm) | 42030-A | 301980 | 317850-1 | 4,800 psi (330 bar) | 1/8" NPTF(m) |


7089

Hose Assemblies for Giant Button Head Fittings

| Product # | Length | Coupler | Swivel | Hose | Working Pressure | Hose End |
|-----------|-------------|----------|--------|-----------|---------------------|--------------|
| 6704-A | 12" (30 cm) | 304300-A | 301980 | 317850-1 | 4,800 psi (330 bar) | 1/8" NPTF(m) |
| 6704-B | 18" (45 cm) | 304300-A | 301980 | 317850-1F | 4,800 psi (330 bar) | 1/8" NPTF(m) |

WARNING

For use with hand operated grease guns only.

GREASE GUN ACCESSORIES

Adapters, Extensions and Injector Needles



| Product # | Description |
|-----------|---|
| 6800 | Lever-Action Coupler |
| B6278 | Swivel Adapter, 10,000 psi (690 bar) working pressure |
| 6248-1* | Flexible Extension Adapter, 11.5" (29 cm) 1,000 psi (69 bar) working pressure |
| B6239 | Hydraulic Push Type Adapter |
| B6238 | 90° Angle Adapter |
| B203 | 90° Angle Adapter |
| B201 | Narrow Needle Nose Adapter, 1.5" (38 mm) Length |
| B6783 | Needle Nose Adapter |
| B205 | 360° Adapter, 7,000 psi (482 bar) working pressure, 8 positions |
| 6778 | Rigid/Flexible Extension, 13.5" (34 cm), 5,000 psi (344 bar) working pressure |
| B336770 | 16 gauge x 1.5" (38 mm) needle |
| B200 | 18 gauge x 1.5" (38 mm) needle |
| 310048 | Quick Connect Adapter |

* ⚠ **WARNING** California Proposition 65: Cancer and reproductive harm. www.P65Warnings.ca.gov

GREASE GUN ACCESSORIES

Lever-Action Coupler (6800)

Suitable for use in vehicle service applications, as well as agriculture, construction and general industry.

FEATURES:

- Sturdy, all-steel construction with spring-steel jaws
- Easy on/off action and superior sealing
- Coupler remains attached without holding it in place
- Less grease use and waste to reduce lubricant costs
- Durable, nylon protective sleeve prevents hose wear
- Suitable for pressures up to 10,000 psi (690 bar)



6800

Loader Fitting for standard weight lubricants (B306740)

- For use with light to medium weight lubricants
- Fit grease guns with 1/8" PTF(m) port in head – remove plug and install



B306740 / B322610

Loader Fitting for heavyweight lubricants (B322610)

- Includes large ball check passage
- Fit grease guns with 1/8" PTF(m) port in head – remove plug and install

Coupler (306741)

- For installation on loader pumps
- Use with loader fittings B306740 and B322610
- 3/8" NPTF(m) thread



306741

Mini Grease Cartridges (B408)

- 3 ounce (85 grams) size
- Use with F104 Mini Pistol Grip Grease Gun
- 3 cartridges per package



B408

Grease Gun Holder (F331035)

- For wall mounting Alemite Professional Series and Standard Series Grease Guns



F331035

GREASE GUN ACCESSORIES

Couplers - Hydraulic

Alemite Hydraulic Couplers provide quick, positive and leakproof connection with hydraulic fittings.

| Product # | Thread | Type | Length | Pressure | Other Features |
|-----------|--------------|----------------------|--------|----------------------|-----------------------------------|
| 6304-B | 1/8" NPTF(f) | Standard | – | 10,000 psi (690 bar) | Metal Seal |
| 6304-C | 1/8" NPTF(f) | Standard | – | 10,000 psi (690 bar) | Metal Seal; built-in check valve |
| 308730 | 1/8" NPTF(f) | Narrow | – | 10,000 psi (690 bar) | Rubber Seal |
| 308730-A | 1/8" NPTF(f) | Narrow | – | 10,000 psi (690 bar) | Rubber Seal; built-in check valve |
| B330070 | 1/8" NPTF(f) | Narrow | – | 10,000 psi (690 bar) | Metal Seal; blister packed |
| B154 | 1/8" NPTF(f) | Narrow | – | 10,000 psi (690 bar) | Rubber Seal & 4 Jaw design |
| 322120 | 1/8" NPTF(f) | Narrow | – | 10,000 psi (690 bar) | Rubber Seal; 90° |
| 6509-D | 1/8" NPTF(f) | Standard 360° Swivel | 3-1/2" | 10,000 psi (690 bar) | Metal Seal |
| 6509-E | 1/8" NPTF(f) | Narrow 360° Swivel | 4" | 10,000 psi (690 bar) | Rubber Seal |



6304-B



6509-D

Couplers - Button Head

| Product # | Thread | Type | Pressure | Other Features |
|-----------|-----------------------|------------------|------------------------|--|
| 42030 | 7/16"-27 NS-2(f) | Standard Pull-On | 10,000 psi (690 bar) | – |
| 42030-A | 1/8" NPTF(f) | Standard Pull-On | 10,000 psi (690 bar) | 7/16 - 27 x 1/8" NPT(f) Threaded adapter (305859); Gasket (50679) |
| 42031-A | 1/8" NPTF(f) | Standard Push-On | 10,000 psi (690 bar) | 7/16 - 27(m) x 1/8" NPT(f) Threaded adapter (305859); Gasket (50679) |
| 304300 | 7/16"-27 NS-2(f) | Giant Pull-On | 15,000 psi (1,030 bar) | – |
| 304300-A | 1/8" NPTF(f) | Giant Pull-On | 15,000 psi (1,030 bar) | 7/16 - 27 x 1/8" NPT(f) Threaded adapter (305859) |
| 319702 | 1/4" PTF SAE Short(f) | Giant Pull-On | 15,000 psi (1,030 bar) | – |
| 304301 | 7/16"-27 NS-2(f) | Giant Push-On | 15,000 psi (1,030 bar) | – |



42030



304301

Couplers - Pin Type

| Product # | Thread | Type | Pressure |
|-----------|---------------------------|------|----------------------|
| VB942 | 1/8" NPTF(f) without wing | Pin | 10,000 psi (690 bar) |
| 50491 | 1/8" NPTF(m) with wing | Pin | 10,000 psi (690 bar) |
| 51185 | 1/8" NPTF(f) with wing | Pin | 10,000 psi (690 bar) |



VB942



50491

Couplers - Flush Type Nozzle

| Product # | Thread | Type | Pressure |
|-----------|--------------|----------|----------------------|
| 314150 | 1/8" NPTF(f) | Midget | 10,000 psi (690 bar) |
| Z737 | 1/8" NPTF(f) | Standard | 10,000 psi (690 bar) |

Couplers - Kits

| Product # | Description |
|-----------|----------------------------------|
| 398727 | Standard Button Head Coupler Kit |
| 398726 | Giant Button Head Coupler Kit |



- ▶ Oil Pumps
- ▶ Grease Pumps
- ▶ Manual Pumps
- ▶ Chemical & Material Handling Pumps
- ▶ Diaphragm Pumps
- ▶ Electric Pumps
- ▶ Pump/Reel/Meter Package
- ▶ Pump Accessories

Alemite offers a selection of pumps to meet your fluid handling and dispensing needs. Each pump is designed to deliver reliable, consistent performance to keep your operation running smoothly.

OIL PUMPS

Alemite Oil Pumps are ideal for applications where fluids are piped to multiple outlets. Combined with Alemite Hose Reels, Dispensing Valves and Meters, Alemite Oil Pumps deliver motor oils, gear oils, cutting oils, hydraulic oils, machine coolants, automatic transmission fluids and a wide range of petroleum based fluids from tanks, drums, totes and pails. Alemite Oil Pumps can be used for bulk transfer or direct delivery from the original container.

Pneumatic RAM - Stationary

Alemite Stationary RAM Pumps deliver fast, quiet and efficient operation, and are rugged enough to handle challenging oil applications. RAM pumps are durable, and can operate at rates up to 20 gallons (75 liters) per minute.

FEATURES:

- Handles fluids up to SAE 140
- Meets OSHA noise requirements - 85 dB
- 3" (76 mm) diameter air motor
- Will mount to 1-½ in. (38 mm) suction pipe from remote tank - 1 in. (25 mm) for model 9970
- Recommended for piped installations of short to moderate length
- Easy serviceability
- ¼" (6 mm) air inlet



9968

| Product # | Drum Size | Material Inlet | Material Outlet | Pump Ratio | Delivery (per minute) | Bung Adapter | Weight |
|---------------------------|-----------------------|----------------|-----------------|------------|-----------------------|--------------|--------------|
| 9916-A1 | Stub | 1-1/2" NPTF(f) | 1/2" NPTF(f) | 1:1 | 16 gallon (60 liter) | Integral | 17 lb (7 kg) |
| 9918-A | Stub | 1-1/2" NPTF(f) | 1/2" NPTF(f) | 3:1 | 9 gallon (34 liter) | Integral | 17 lb (7 kg) |
| 9920 | – | 1" NPTF(f) | 1" NPTF(f) | 1:1 | 20 gallon (75 liter) | No | 18 lb (8 kg) |
| 9960 | 16 gallon (60 liter) | 1-1/2" NPTF(f) | 1/2" NPTF(f) | 5:1 | 7 gallon (26 liter) | 326750-B1 | 18 lb (8 kg) |
| 9960-A ^{(1) (2)} | 16 gallon (60 liter) | 1-1/2" NPTF(f) | 1/2" NPTF(f) | 5:1 | 7 gallon (26 liter) | No | 17 lb (7 kg) |
| 9968 | Stub | 1-1/2" NPTF(f) | 1/2" NPTF(f) | 5:1 | 7 gallon (26 liter) | 326750-B1 | 14 lb (6 kg) |
| 9968-A | Stub | 1-1/2" NPTF(f) | 1/2" NPTF(f) | 5:1 | 7 gallon (26 liter) | No | 17 lb (7 kg) |
| 9969-B ⁽²⁾ | 55 gallon (208 liter) | 1-1/2" NPTF(f) | 1/2" NPTF(f) | 5:1 | 7 gallon (26 liter) | 326750-B1 | 18 lb (8 kg) |
| 9970 | Stub | 1" NPTF(f) | 3/8" NPTF(f) | 10:1 | 3.5 gallon (13 liter) | 326750-E1 | 11 lb (5 kg) |

⁽¹⁾ Includes drum cover

⁽²⁾ Includes downtube

OIL PUMPS

Pneumatic RAM - Portable

Alemite's Portable RAM Pump provides fast, quiet and efficient operation, and is recommended for use with gear oils.

FEATURES:

- 4 gallons (15 liters) per minute delivery
- SAE 140 gear oil, 150 psi (10 bar)
- Meets OSHA noise requirements - 85 dB
- 3" (76 mm) diameter air motor
- Built in control valve holster, to keep hose and handle safely off of floor
- Steel dolly with durable casters
- Dispensing valve (included) designed for hard to reach areas, such as vehicle rear axles
- Easy serviceability
- 1/4" air inlet

INCLUDES:

- Drum cover (338145)
- Control valve (7492)
- 5.5 ft (1.5 m) material hose (317813-5F)
- In line electronic meter (3679)
- Steel dolly (316315-5)



| Product # | Air Inlet | Drum Size | Pump Ratio | Delivery (per minute) | Bare Pump | Weight |
|-----------|--------------|------------------------------|------------|-----------------------|-----------|---------------|
| 9961-1 | 1/4" NPTF(f) | 16 gallon /120 lb (60 liter) | 5:1 | 4 gallon (15 liter) | 9968-A | 40 lb (18 kg) |

OIL PUMPS

Pneumatic - Standard Duty

Alemite H-Pumps are designed for medium pressure industrial applications, featuring exceptional reliability and service life.

FEATURES:

- 2-7/16" (62 mm) diameter air motor
- Handles 10, 20 and 30W oils
- Will mount to 1 1/2" (38 mm) suction tube from remote tank
- Double toggle air valve trip mechanism prevents binding or stalling
- Corrosion resistant chrome finish on piston rods reduces packing wear
- Center flow, micro-lapped high pressure air valve provides very long life
- Self aligning, heavy acme threads provide safely locked linkage
- Requires appropriate downtube
-



8568-A4

343086 PACKAGE INCLUDES:

- 4:1 ratio pump (8568-A4)
- 16 gallons (60 liters) cover (338977)
- Drum dolly (316315-5)
- 7 ft (2 m) material hose (317813-7)
- Electronic meter (3673)
- Filter/Regulator (7936)

| Product # | Drum Size | Material Inlet | Material Outlet | Pump Ratio | Delivery (per minute) | Bung Adapter | Weight |
|-----------|-----------|----------------|-----------------|------------|-----------------------|--------------|--------------|
| 8568-A4 | Stub | 1-1/2" NPTF(f) | 3/8" NPTF(f) | 4:1 | 3 gallon (11 liter) | 326750 | 14 lb (6 kg) |

OIL PUMPS

Pneumatic - Industrial

FEATURES:

- 4 ¼" – 6" (108 mm - 152 mm) diameter air motor
- Recommended for pumping distances over 100 feet (30.5 m)
- Includes air connector and quick detach air coupler
- Requires bung adapter, cover and muffler (not included, refer to table below)
- Requires appropriate downtube
- ¾" (19 mm) air inlet and outlet



7783-A4

| Product # | Drum Size | Material Inlet | Material Outlet | Pump Ratio | Delivery (per minute) | Cover | Bung Adapter | Muffler | Weight |
|-----------|-----------------------|----------------|-----------------|------------|-------------------------|-----------------------|--------------|---------|---------------|
| 7783-A4 | 55 gallon (208 liter) | – | 1/2" NPTF(f) | 6:1 | 10 gallon (37.8 liter) | 323847-4 | 326750-B1 | 324170 | 55 lb (25 kg) |
| 7783-C4 | Stub | 1-1/2" NPTF(f) | 1/2" NPTF(f) | 6:1 | 10 gallon (37.8 liter) | Varies ⁽¹⁾ | 326750-B1 | 324170 | 45 lb (20 kg) |
| 7793-A1 | 55 gallon (208 liter) | – | 1/2" NPTF(f) | 12:1 | 6.5 gallon (24.5 liter) | 323847-4 | 326750-B1 | 324170 | 75 lb (34 kg) |
| 7793-C | Stub | 1-1/2" NPTF(f) | 1/2" NPTF(f) | 12:1 | 6.5 gallon (24.5 liter) | Varies ⁽¹⁾ | 326750-B1 | 324170 | 65 lb (29 kg) |

⁽¹⁾Varies based on drum size. See page 54 for Cover information.

GREASE PUMPS

Alemite Grease Pumps are designed to handle a wide range of applications, fluid viscosities and system pressures. Combined with Alemite Hose Reels, Dispensing Valves and Meters, Alemite Grease Pumps deliver lubricant from tanks, drums, totes and pails.

Pneumatic RAM - Stationary

Alemite Stationary RAM Pumps deliver fast, quiet and efficient operation. Capable of delivery up to 4.5 pounds (2.04 kg) per minute, RAM double acting grease pumps reduce line pulsation and allow lower operating pressure. They are designed for piped installations of moderate length.

FEATURES:

- 3" (76 mm) diameter air motor
- Recommended for piped installations up to 150 feet (45.5 m)
- Meets OSHA noise requirements - 85 dB
- Easy 360° adjustment of material outlet and air inlet
- May be used with or without lubricator
- Easy access air motor and spool – without removing downtube
- Flexible follower for straight or tapered containers
- Easy serviceability
- Air Inlet: ¼" NPTF(f)



9950-A1

| Product # | Drum Size | Material Outlet | Pump Ratio | Delivery (per minute) | Follower | Cover | Weight |
|-----------|-----------------|-----------------|------------|-----------------------|-------------------|-------------------|---------------|
| 9940 | 120 lb (50 kg) | 3/8" NPTF(f) | 70:1 | 3.25 lb (1.47 kg) | 338802 | 338371 | 28 lb (12 kg) |
| 9949 | 400 lb (180 kg) | 3/8" NPTF(f) | 70:1 | 3.25 lb (1.47 kg) | 338911 | 338163 | 32 lb (14 kg) |
| 9950-1 | 120 lb (50 kg) | 3/8" NPTF(f) | 50:1 | 4.5 lb (2.04 kg) | 338802 | 338371 | 19 lb (8 kg) |
| 9950-A1 | 120 lb (50 kg) | 3/8" NPTF(f) | 50:1 | 4.5 lb (2.04 kg) | 338802 (included) | 338371 (included) | 32 lb (14 kg) |
| 9979 | 400 lb (180 kg) | 3/8" NPTF(f) | 50:1 | 4.5 lb (2.04 kg) | 338911 | 338163 | 25 lb (11 kg) |
| 9979-A | 400 lb (180 kg) | 3/8" NPTF(f) | 50:1 | 4.5 lb (2.04 kg) | 338911 (included) | 338163 (included) | 49 lb (22 kg) |
| 9950-C1 | 20 kg | 3/8" NPTF(f) | 50:1 | 4.5 lb (2.04 kg) | 338992 | 338982 | 18 lb (8 kg) |
| 9950-D1 | 400 lb (180 kg) | 3/8" NPTF(f) | 50:1 | 4.5 lb (2.04 kg) | 338911 | 338984 | 23 lb (10 kg) |
| 9930 | Bulk | 3/8" NPTF(f) | 50:1 | 4.5 lb (2.04 kg) | Not required | Not required | 16 lb (7 kg) |

GREASE PUMPS

Pneumatic RAM - Portable

Alemite's Portable RAM Pump provides fast, quiet and efficient operation. Many models come equipped with accessories required for quick, easy installation and set up.

FEATURES:

- 3" (76 mm) diameter air motor
- Meets OSHA noise requirements - 85 dB
- Flexible follower for straight or tapered containers
- ¼" air inlet
- Easy serviceability


9911-A1

| Product # | Drum Size | Material Outlet | Pump Ratio | Delivery (per minute) | Follower | Cover | Bare Pump | Dolly | Weight |
|--------------------------|--------------------|-----------------|------------|-----------------------|--|-------------------|-----------|-----------------------|---------------|
| 9911-A1 ⁽¹⁾ * | 35 lb / 70 lb Bulk | 3/8" NPTF(f) | 50:1 | 4.5 lb (2.04 kg) | 337665 ⁽²⁾ / 338802 ⁽²⁾ | 323496-A4 | 9911-R1 | 393629 | 68 lb (31 kg) |
| 9911-J ⁽¹⁾ | 35 lb | 3/8" NPTF(f) | 50:1 | 4.5 lb (2.04 kg) | 337665 | 338166 | 9911-1 | – | 29 lb (13 kg) |
| 9911-H1 ⁽¹⁾ | 35 lb | 3/8" NPTF(f) | 50:1 | 4.5 lb (2.04 kg) | 337665 | 338166 | 9911-1 | – | 25 lb (11 kg) |
| 9911-Z1 ⁽¹⁾ | 35 lb | 3/8" NPTF(f) | 50:1 | 4.5 lb (2.04 kg) | 337665 | 338166 | 9911-1 | 338958 | 50 lb (23 kg) |
| 9941 | 120 lb (50 kg) | 3/8" NPTF(f) | 70:1 | 3.25 lb (1.47 kg) | 338802 | 338371 | 9940 | 316315-5 | 54 lb (24 kg) |
| 9951-1 ⁽¹⁾ | 120 lb (50 kg) | 3/8" NPTF(f) | 50:1 | 4.5 lb (2.04 kg) | 338802 | 338371 | 9950-1 | 316315-5 | 50 lb (23 kg) |
| 9951-S1 ⁽¹⁾ | 120 lb (50 kg) | 3/8" NPTF(f) | 50:1 | 4.5 lb (2.04 kg) | 338802 | 338371 | 9950-1 | – | 37 lb (17 kg) |
| 9951-T1 ⁽¹⁾ | 120 lb (50 kg) | 3/8" NPTF(f) | 50:1 | 4.5 lb (2.04 kg) | 338802 | 338371 | 9950-1 | 338958 | 57 lb (26 kg) |
| 9911-HB1 ⁽¹⁾ | 20 kg | 3/8" NPTF(f) | 50:1 | 4.5 lb (2.04 kg) | 338992 | 338982 | – | 338958 ⁽³⁾ | 50 lb (23 kg) |
| 9911-HC1 ⁽¹⁾ | 120 lb (50 kg) | 3/8" NPTF(f) | 50:1 | 4.5 lb (2.04 kg) | 338993 | 338983 | – | 338958 ⁽³⁾ | 50 lb (23 kg) |
| 9911-C1 | 35 lb | 3/8" NPTF(f) | 50:1 | 4.5 lb (2.04 kg) | 337665 | 338166 (included) | 9911-1 | – | 21 lb (10 kg) |

⁽¹⁾Includes control valve (6320-3), material hose (317875-7) and Z swivel (52752)

⁽²⁾Must be purchased separately

⁽³⁾338958 dolly not included

* **⚠ WARNING** California Proposition 65: Cancer and reproductive harm. www.P65Warnings.ca.gov

GREASE PUMPS

Pneumatic Standard Duty - Stationary

Alemite H Pumps are designed for intermittent use in medium or high pressure industrial applications. Double acting H Pumps handle lightweight and fibrous lubricants.

FEATURES:

- Positive priming – handles light to heavy grease
- 2-7/16 (62 mm) (50:1) - 3" (76 mm) (70:1) diameter air motor
- Double toggle air valve prevents binding or stalling
- Corrosion resistant piston rod finish reduces packing wear
- Micro-lapped air valve provides very long life
- Flexible follower for straight or tapered containers
- Self aligning, heavy acme threads secure the linkage
- Recommended for moderate length pipe installations
- 1/4" (6 mm) air inlet
- Delivery in table based on NLGI #2 at 77 °F (25 °C), 150 psi (10 bar)



8549-B1

INCLUDED ITEMS - 8540 SERIES:

- Pressurtrol (319800-1), limits air supply to pump when pressure reaches 7,500 PSI (516 bar)
- Models 8549-B1 and 8559-B include Air Connector, Quick Detach Air Coupler and Bung Adapter

343084 PACKAGE INCLUDES:

- 120 lb (54 kg) Drum Dolly (316315-5)

| Product # | Material Outlet | Pump Ratio | Delivery (per minute) | Follower ⁽¹⁾ | Container Size ⁽¹⁾ | Cover ⁽¹⁾ | Bare Pump ⁽¹⁾ | Weight |
|------------|-----------------|------------|-----------------------|-------------------------|-------------------------------|----------------------|--------------------------|-----------------|
| 8549-C* | 3/8" NPTF(f) | 70:1 | 1.8 lb (0.8 kg) | 338911 | 400 lb (180 kg) | 318040-4 | 331378-B1 | 35 lb (15.9 kg) |
| 8549-B1* | 3/8" NPTF(f) | 70:1 | 1.8 lb (0.8 kg) | 338911 | 400 lb (180 kg) | 318040-4 | 331378-B1 | 35 lb (15.9 kg) |
| 8540-B* | 3/8" NPTF(f) | 70:1 | 1.8 lb (0.8 kg) | 338802 | 120 lb (50 kg) | 338371 | 331378-A1 | 32 lb (14.5 kg) |
| 8540-A1 * | 3/8" NPTF(f) | 70:1 | 1.8 lb (0.8 kg) | 338802 (included) | 120 lb (50 kg) | 338371 (included) | 331378-A1 | 35 lb (15.9 kg) |
| 331378-E1* | 3/8" NPTF(f) | 70:1 | 1.8 lb (0.8 kg) | 338991 | 12.5 kg | 338981 | – | 29 lb (13.2 kg) |
| 331378-F1* | 3/8" NPTF(f) | 70:1 | 1.8 lb (0.8 kg) | 338991 | 12.5 kg | 338981 | – | 30 lb (13.6 kg) |
| 331378-H1* | 3/8" NPTF(f) | 70:1 | 1.8 lb (0.8 kg) | 338992 | 20 kg | 338982 | – | 31 lb (14.1 kg) |
| 8559-B* | 3/8" NPTF(f) | 50:1 | 2.5 lb (1 kg) | 338911 | 400 lb (180 kg) | 318040-4 | 331380-B5 | 35 lb (15.9 kg) |
| 8550-A1* | 3/8" NPTF(f) | 50:1 | 2.5 lb (1 kg) | 338802 (included) | 120 lb (50 kg) | 338371 (included) | 331380-A5 | 35 lb (15.9 kg) |
| 331380-E1* | 3/8" NPTF(f) | 50:1 | 2.5 lb (1 kg) | 338991 | 12.5 kg | 338981 | – | 30 lb (13.6 kg) |
| 331380-M1* | 3/8" NPTF(f) | 50:1 | 2.5 lb (1 kg) | 338992 | 20 kg | 338982 | – | 31 lb (14.1 kg) |
| 343084* | 3/8" NPTF(f) | 50:1 | 2.5 lb (1 kg) | 338802 (included) | 120 lb (50 kg) | 338371 | 331380-A5 | 54 lb (24.5 kg) |
| 343085* | 3/8" NPTF(f) | 50:1 | 2.5 lb (1 kg) | 338911 (included) | 400 lb (180 kg) | 318040-4 | 331380-B5 | 48 lb (21.7 kg) |

⁽¹⁾ Optional/recommended accessories not included with pump unless noted

*  **WARNING** California Proposition 65: Cancer and reproductive harm. www.P65Warnings.ca.gov

GREASE PUMPS

Pneumatic Standard Duty - Portable

Alemite Portable H Pumps are designed for intermittent use in medium or high pressure industrial applications, providing easy portability. Double acting H Pumps handle lightweight and fibrous lubricants.

FEATURES:

- 1/4" NPSI air inlet
- Versatile, durable pump which will deliver a range of light to heavy fluids



8541-5



8553-2

| Product # | Material Outlet | Pump Ratio | Delivery (per minute) | Follower | Container Size | Cover | Weight |
|-----------|-----------------|------------|-------------------------|-------------------|----------------|--------|-----------------|
| 8541-5 | 3/8" NPTF(f) | 70:1 | 1.8 lb (0.8 kg) | 338802 (included) | 120 lb (50 kg) | 338371 | 57 lb (25.8 kg) |
| 8553-2 | 3/8" NPTF(f) | 26:1 | 0.75 gallon (2.8 liter) | – | 35 lb | 338166 | 41 lb (18.5 kg) |

GREASE PUMPS

Pneumatic Industrial

Alemite Industrial Pumps deliver viscous fluids and lubricants up to NLGI #3. These reliable continuous duty pumps maintain pressure over long distances.

FEATURES:

- 4-1/4" (108 mm) standard air motor - 6" (152 mm) air motor for 7795-A5, 7795-B5, 7736
- 7784-A4 is designed for heavy gear oil and lubricants up to NLGI #1
- Tote tank pumps designed for horizontal mounting
- Recommended for pumping distances over 100 feet (30.5 m)
- 3/4" NPTF air inlet

INCLUDES:

- Air Connector
- Quick Detach Air Coupler
- Tote tank pumps include male 3" (76 mm) Cam Lock Adapter for mounting pump to bulk grease container



RECOMMENDED ACCESSORIES

- Bung Adapter (326750-B1)
- Air Hose (317811-5)

| Product # | Drum Size | Material Outlet | Pump Ratio | Delivery (per minute) | Follower | Cover | Operating Pressure | Muffler | Material Hose | Weight |
|-----------|-----------------|-----------------|------------|-----------------------|----------|----------|--------------------|---------|---------------------|---------------|
| 7784-A4 | 400 lb (180 kg) | 1/2" NPTF(f) | 25:1 | 32 lb (14.5 kg) | 338912 | 323847-4 | 200 psi (13.8 bar) | 324170 | 317882-7 | 69 lb (31 kg) |
| 7785-A5 | 400 lb (180 kg) | 1/2" NPTF(f) | 40:1 | 22 lb (10 kg) | 338912 | 323847-4 | 200 psi (13.8 bar) | 324170 | 317882-7 | 77 lb (35 kg) |
| 7785-B5 | 120 lb (50 kg) | 1/2" NPTF(f) | 40:1 | 22 lb (10 kg) | 338804 | 323800-4 | 200 psi (13.8 bar) | 324170 | 317882-7 | 67 lb (30 kg) |
| 7786-A5 | 400 lb (180 kg) | 1/2" NPTF(f) | 75:1 | 12 lb (5.4 kg) | 338912 | 323847-4 | 100 psi (6.9 bar) | 324170 | 317882-7 | 69 lb (31 kg) |
| 7786-C | 120 lb (50 kg) | 1/2" NPTF(f) | 75:1 | 12 lb (5.4 kg) | 338804 | 323800-4 | 100 psi (6.9 bar) | 324170 | 317882-7 | 67 lb (30 kg) |
| 7795-A5 | 400 lb (180 kg) | 1/2" NPTF(f) | 80:1 | 13 lb (5.9 kg) | 338912 | 323847-4 | 100 psi (6.9 bar) | 324170 | 317882-7 | 77 lb (35 kg) |
| 7795-B5 | 120 lb (50 kg) | 1/2" NPTF(f) | 80:1 | 13 lb (5.9 kg) | 338804 | 323800-4 | 100 psi (6.9 bar) | 324170 | 317882-7 | 75 lb (34 kg) |
| 7735 | Bulk | 1/2" NPTF(f) | 10:1 | 73 lb (33 kg) | — | — | 100 psi (6.9 bar) | 324170 | 317813-5 +339661 | 57 lb (26 kg) |
| 7736 | Bulk | 1-1/4" NPTF(f) | 11:1 | 86 lb (39 kg) | — | — | 100 psi (6.9 bar) | 324170 | 317813-5 +339661 | 70 lb (32 kg) |
| 7730 | Bulk | 1/2" NPTF(f) | 75:1 | 12.5 lb (5.6 kg) | — | — | 100 psi (6.9 bar) | 324170 | 317876-5 | 62 lb (28 kg) |

Note: Follower, Cover and Muffler sold separately.

GREASE PUMPS

Electric Grease Pump

Alemite's Electric Grease Pump "Rockcrusher" is designed for heavy duty industrial and mining applications, where compressed air or hydraulic service is not available.

FEATURES:

- 115V, 50/60 Hz ¾ HP motor
- 25 ft (7.6 m) 3 wire electric cable
- Recommended for use with 25 ft (7.6 m) of hose or less
- Helix arm assembly provides positive feed for thick lubricants at low pressures
- No follower plate required

INCLUDES:

- 10 ft (3 m) Hose
- Z Swivel (B52752)
- Control Valve (6320-3)



7175-R4

| Product # | Container Capacity | Maximum Pressure | Delivery (per minute) | Weight |
|-----------|--------------------|--------------------------------------|--|----------------|
| 7175-R4 | 40 lb (18 liter) | 5,000 psi ⁽¹⁾ (344.5 bar) | 14 oz (397 g) NLGI#1 grease, 70 °F (21 °C) | 168 lb (76 kg) |

⁽¹⁾Built in switch shuts off motor

GREASE PUMPS

Hydraulic

Hydraulic grease pumps provide cost effective alternative for delivering grease without compressed air. Hydraulic pumps are offered with flow control and centralized lubrication system vent return options.

FEATURES:

- Hydraulic powered
- Compact footprint
- Sturdy, reliable construction
- 600 psi (41 bar) input pressure
- 7,500 psi (516 bar) output pressure
- 3,500 psi (241 bar) system pressure



8700-A

RECOMMENDED ACCESSORIES

- Control Manifold (340989)

| Product # | Description/Container Size | Delivery (per minute) | Input Flow (per minute) | Hydraulic Fluid Max Temperature | Weight |
|-----------|--|-----------------------|-------------------------|---------------------------------|-----------------|
| 8700-A | 35 lb, bare pump assemblies | 16 oz (453.6 g) | 2.5 gallon (9.5 liter) | 200 °F (93 °C) | 34 lb (15.4 kg) |
| 8700-B | 120 lb (50 kg), bare pump assemblies | 16 oz (453.6 g) | 2.5 gallon (9.5 liter) | 200 °F (93 °C) | 36 lb (16.3 kg) |
| 8700-C | 400 lb (180 kg), bare pump assemblies | 16 oz (453.6 g) | 2.5 gallon (9.5 liter) | 200 °F (93 °C) | 38 lb (17.2 kg) |
| 8702-A | 35 lb, with vent return | 16 oz (453.6 g) | 2.5 gallon (9.5 liter) | 200 °F (93 °C) | 34 lb (15.4 kg) |
| 8702-B | 120 lb (50 kg), with vent return | 16 oz (453.6 g) | 2.5 gallon (9.5 liter) | 200 °F (93 °C) | 36 lb (16.3 kg) |
| 8702-C | 400 lb (180 kg), with vent return | 16 oz (453.6 g) | 2.5 gallon (9.5 liter) | 200 °F (93 °C) | 38 lb (17.2 kg) |
| 8700-A1 | 35 lb, with cover and follower | 16 oz (453.6 g) | 2.5 gallon (9.5 liter) | 200 °F (93 °C) | 37 lb (16.8 kg) |
| 8700-B1 | 120 lb (50 kg), with cover and follower | 16 oz (453.6 g) | 2.5 gallon (9.5 liter) | 200 °F (93 °C) | 39 lb (17.7 kg) |
| 8700-C1 | 400 lb (180 kg), with cover and follower | 16 oz (453.6 g) | 2.5 gallon (9.5 liter) | 200 °F (93 °C) | 41 lb (18.6 kg) |
| 8702-A1 | 35 lb, with vent return, cover and follower | 16 oz (453.6 g) | 2.5 gallon (9.5 liter) | 200 °F (93 °C) | 37 lb (16.8 kg) |
| 8702-B1 | 120 lb (50 kg), with vent return, cover and follower | 16 oz (453.6 g) | 2.5 gallon (9.5 liter) | 200 °F (93 °C) | 39 lb (17.7 kg) |
| 8702-C1 | 400 lb (180 kg), with vent return, cover and follower | 16 oz (453.6 g) | 2.5 gallon (9.5 liter) | 200 °F (93 °C) | 41 lb (18.6 kg) |
| 340992 | 35 lb, with control manifold | 16 oz (453.6 g) | 2.5 gallon (9.5 liter) | 200 °F (93 °C) | 46 lb (20.8 kg) |
| 340993 | 120 lb (50 kg), with control manifold | 16 oz (453.6 g) | 2.5 gallon (9.5 liter) | 200 °F (93 °C) | 48 lb (21.7 kg) |
| 340994 | 400 lb (180 kg), with control manifold | 16 oz (453.6 g) | 2.5 gallon (9.5 liter) | 200 °F (93 °C) | 50 lb (22.7 kg) |
| 340997 | 35 lb, with vent return and control manifold | 16 oz (453.6 g) | 2.5 gallon (9.5 liter) | 200 °F (93 °C) | 46 lb (20.8 kg) |
| 340998 | 120 lb (50 kg), with vent return and control manifold | 16 oz (453.6 g) | 2.5 gallon (9.5 liter) | 200 °F (93 °C) | 48 lb (21.7 kg) |
| 340999 | 400 lb (180 kg), with vent return and control manifold | 16 oz (453.6 g) | 2.5 gallon (9.5 liter) | 200 °F (93 °C) | 50 lb (22.7 kg) |

MANUAL PUMPS

Alemite Manual Pumps are simple to operate and require no electricity or compressed air. Alemite offers a variety of models fitting 25 lb (11.3 kg) pails up to 400 lb (180 kg) drums.

Bucket Pumps

7181 Series

FEATURES:

- Adjustable lever adapts pump to lubricant type and operating conditions
- Includes 2 check valves – one at the bottom located on rod, and a second valve mid-way in the tube for increased volume

RECOMMENDED ACCESSORIES:

- Hose Assembly (317854-5F)
- Portable Cart (6777-5)



7181-4

| Product # | Description | Materials | Outlet | Capacity | Delivery (per stroke) | Pressure | Included Items | Weight |
|-----------|---|-------------|--------------|-----------------------|-----------------------|--------------------------|--|----------------|
| 7181-4* | High Volume Bucket Pump | Oil, Grease | 3/8" NPTF(f) | 3.7 gallon (14 liter) | 1 oz (28.3 g) | up to 500 psi (34.5 bar) | Check valves, Container | 19 lb (8.6 kg) |
| 7181-K* | High Volume Bucket Pump Assembly with Hose and Nozzle | Oil, Grease | 3/8" NPTF(f) | 3.7 gallon (14 liter) | 1 oz (28.3 g) | up to 500 psi (34.5 bar) | Low Pressure Hose (317807-5F) & Nozzle Assembly (306610) | 20 lb (9 kg) |

* **⚠ WARNING** California Proposition 65: Cancer and reproductive harm. www.P65Warnings.ca.gov

MANUAL PUMPS

Bucket Pumps

7149 Series

FEATURES:

- Multi-Pressure capability
- Adjustable lever with 3 positions to adapt pump to lubricant type and operating conditions

RECOMMENDED ACCESSORIES:

- Hose Assembly – Hydraulic Narrow Fitting (322434)
- Hose Assembly – Giant Button Head (6615-G)
- Hose Assembly – Standard Button Head (6616-G)
- Portable Cart (6777-5)



7149-4



7149-T

| Product # | Description | Material | Outlet | Capacity | Delivery (per stroke) | Pressure | Included Items | Weight |
|-----------|---|----------|--------------|------------------------|-----------------------|--------------------------------------|--|--------------------|
| 7149-4 | Multi Pressure Bucket Pump | Oil | 3/8" NPTF(f) | 5 gallon (19 liter) | 1/3 oz (9.4 g) | 2,500 - 5,000 psi (172 - 345 bar) | Container | 18 lb (8.2 kg) |
| 7149-A4 | Multi Pressure Bucket Pump Assembly | Oil | 3/8" NPTF(f) | 5 gallon (19 liter) | 1/3 oz (9.4 g) | 2,500 - 5,000 psi (172 - 345 bar) | Hose Assembly (322434), Container | 21 lb (9.5 kg) |
| 7149-E4 | Multi Pressure Bucket Pump Assembly | Oil | 3/8" NPTF(f) | 5 gallon (19 liter) | 1/3 oz (9.4 g) | 2,500 - 5,000 psi (172 - 345 bar) | Hose and Coupler Assembly (6616-G), Buttonhead Fitting (A1188), Plug Button, Container | 21 lb (9.5 kg) |
| 7149-T* | Multi Pressure Bucket Pump Assembly with Porta-Cart | Oil | 3/8" NPTF(f) | 5 gallon (19 liter) | 1/3 oz (9.4 g) | 2,500 - 5,000 psi (172 - 345 bar) | Porta-Cart (6777-5), Container (7149-4) | 32 lb (14.5 kg) |

*  **WARNING** California Proposition 65: Cancer and reproductive harm. www.P65Warnings.ca.gov

MANUAL PUMPS

Bucket Pumps

6713-4

FEATURES:

- High Pressure to deliver oil and grease up to NLGI #3
- Manually operated pressure relief valve relieves pressure without removing connection to lubrication point

RECOMMENDED ACCESSORIES:

- Follower Plate (314898)
- Portable Cart (6777-5)
- Hose Assembly
- Button Head Coupler (319702)
- Swivel (B52750)
- Saf-T-Vent Coupling (310428)


6713-4

| Product # | Description | Materials | Outlet | Capacity | Delivery (per stroke) | Pressure | Included Items | Weight |
|-----------|---------------------------|-----------------------------|--------------|-----------------|-----------------------|--------------------------------|----------------|-----------------|
| 6713-4 | High Pressure Bucket Pump | Oil, Grease (up to NLGI #3) | 1/4" NPTF(f) | 30 lb (13.6 kg) | 0.0625 oz (1.8 g) | up to 15,000 psi (1,033.5 bar) | Container | 30 lb (13.6 kg) |

7531 Series

FEATURES:

- Delivers greases up to NLGI #3
- For use with standard or tapered pails
- Mounts directly to original 35 lb (15.9 kg). container
- For use with standard or tapered pails
- Carrying handle

INCLUDES:

- 5 ft (1.5 m) Hose and Coupler Assembly (322434)
- Flexible Follower Plate (337665)
- Cover (337729)


7531-4

| Product # | Description | Materials | Outlet | Capacity | Delivery (per stroke) | Pressure | Cover | Weight |
|-----------|---|------------------------|--------------|----------|-----------------------|-----------------------------|--------|---------------|
| 7531-4* | Manual Grease Pump (for use with pails) | Grease (up to NLGI #3) | 3/8" NPTF(f) | 35 lb | 0.20 oz (5.7 g) | up to 3,500 psi (241.2 bar) | 337729 | 35 lb (16 kg) |
| 7531-A4 | Manual Grease Pump (for use with pails), metric | Grease (up to NLGI #3) | 3/8" NPTF(f) | 20 Kg. | 0.20 oz (5.7 g) | up to 3,500 psi (241.2 bar) | 337729 | 45 lb (20 kg) |

* **⚠ WARNING** California Proposition 65: Cancer and reproductive harm. www.P65Warnings.ca.gov

MANUAL PUMPS

Loader Pumps - Grease

Alemite Grease Loader Pumps are used to fill loader fitting equipped grease guns quickly and efficiently. Loader Pumps reduce the chance for contaminants to be introduced into the grease container and lubrication points.

FEATURES:

- Pumps for 35 lb (15.9 kg), 120 lb (54.4 kg), and 400 lb (180 kg) containers
- Available with or without Cover and Follower Plate



7537-4



7538-4




7539-4



7118-1

| Product # | Description | Drum Size | Delivery | Pressure | Included Items | Weight |
|-----------|-----------------------------|--------------------------------|---------------------------|--------------------|--|-----------------|
| 7537-4* | Volume Delivery Loader Pump | 35 lb standard or tapered pail | 1 lb (0.43 kg) /6 strokes | 500 psi (34.5 bar) | Cover (337729), Flexible Follower (338825), Loader Extension (317219), Loader Coupler (306741) | 11 lb (5 kg) |
| 7538-4* | Volume Delivery Loader Pump | 120 lb (50 kg) | 1 lb (0.43 kg) /6 strokes | 500 psi (34.5 bar) | Cover (328245-4), Flexible Follower (338803), Loader Extension (317219), Loader Coupler (306741) | 19 lb (8.6 kg) |
| 7539-4* | Volume Delivery Loader Pump | 400 lb (180 kg) | 1 lb (0.43 kg) /6 strokes | 500 psi (34.5 bar) | Recommended Items (Not Included): Drum Cover (318040-4), Follower Plate (338923), Dolly for 400 lb (181.2 kg) container (336899) | 25 lb (11.3 kg) |
| 7118-1* | Standard Duty Loader Pump | 25 lb and 35 lb pails | 1 oz (28.3 g) per stroke | 500 psi (34.5 bar) | Cover, Flexible Follower, Loader Coupler, Loader Fitting | 6 lb (2.7 kg) |

*  **WARNING** California Proposition 65: Cancer and reproductive harm. www.P65Warnings.ca.gov

MANUAL PUMPS

Oil Dispensing Pumps

FEATURES:

- Compatible with oils and gear lubrication
- Attach directly to original container
- 2 lever positions to adjust delivery rate



| Product # | Description | Drum Size | Outlet | Delivery (per stroke) | Included Items | Weight |
|-----------|----------------------|-----------------------|---------------|-----------------------|--|---------------|
| 7533-4* | Dual Leverage Pump | 5 gallon | 1/2" NPTF(f) | 2.6 oz (73.7 g) | 5-1/2 ft (1.7 m) Hose (317809-5F), Curved Nozzle (306610), Pail Cover | 14 lb (6 kg) |
| 7534-4* | Dual Leverage Pump | 16 gallon (60 liter) | 1/2" NPTF(f) | 2.6 oz (73.7 g) | 5-1/2 ft (1.7 m) Hose (317809-5F), Curved Nozzle (306610), Drum Cover | 17 lb (8 kg) |
| 7535-4* | Dual Leverage Pump | 55 gallon (208 kg) | 1/2" NPTF(f) | 2.6 oz (73.7 g) | 5-1/2 ft (1.7 m) Hose (317809-5F), Curved Nozzle (306610), 2" NPTF(m) Bung Adapter | 14 lb (6 kg) |
| 8570-5* | Dual Leverage Pump | 16 gallon (60 liter) | 1/2" NPTF(f) | 2.6 oz (73.7 g) | 5-1/2 ft (1.7 m) Hose (317809-5F), Curved Nozzle (306610), Drum Cover, In-Line Electronic Meter (3679), Dolly (316315-5) | 33 lb (15 kg) |
| 7117-1 | Standard Duty Pump | 25 - 35 lb pails | 1/4" NPTF | 2.0 oz (56.7 g) | 5 ft (1.5 m) Hose, Curved Nozzle, Pail Cover Assembly | 6 lb (3 kg) |
| F7117 | Oil Pump | 25 - 35 lb pails | 1/4" NPTF | 2.0 oz (56.7 g) | Same as 7117-1 except in Display Package | 6 lb (3 kg) |
| F403 | Hand Pump, Piston | 5 gallon | 0.47" (12 mm) | 2.3 oz (65.2 g) | 4 ft (1.2 m) x 1/2" (12.7 mm) Hose, Non-Drip Nozzle | 2 lb (1 kg) |
| F404 | Plastic Pump, Siphon | 55 gallon (208 liter) | — | 7 gpm | 4 ft5" (1.3 m) x 5/8" (22 mm) Hose | 1 lb (0.5 kg) |

* **⚠ WARNING** California Proposition 65: Cancer and reproductive harm. www.P65Warnings.ca.gov

MANUAL PUMPS

Alemite Manual Pumps are simple to operate and require no electricity or compressed air. Alemite offers a variety of models fitting 25 lb (11.3 kg) pails up to 400 lb (181.2 kg) drums.

Other Manual Pumps

6796 – Telescoping Barrel Pump

FEATURES:

- Telescoping suction tube fits all containers up to 55 gallon drums
- Floating check valve allows liquids to drain back from pump when not in use

F401 – Rotary Pump

FEATURES:

- Telescoping tube fits 16 and 55 gallon drums

F406 – Standard Duty Transfer Pump

FEATURES:

- Handles lubricants, solvents, industrial chemicals, additives and non-corrosive liquids



| Product # | Description | Drum Size | Delivery (per stroke) | Fluids | Weight |
|-----------|---------------------------------|--|-----------------------|--|-----------------|
| 6796 | Professional Duty Transfer Pump | Up to 55 gallon (208 liter) | 12 oz (340 g) | Lubricants, solvents, thinners, automotive additives, chemicals, non-corrosive liquids | 5 lb (2.3 kg) |
| F401 | Rotary Pump | 16 gallon (60 liter) and 55 gallon (208 liter) | 8.5 oz (241 g) | Variety of petroleum products | 15 lb (6.8 kg) |
| F406 | Transfer Pump | 15 gallon (57 liter) to 55 gallon (208 liter) | — | Lubricants, solvents, industrial chemicals, additives and non-corrosive liquids | 5.4 lb (2.4 kg) |

Not for use with water based media, corrosive fluids, acids, or gasoline.

CHEMICAL AND MATERIAL HANDLING PUMPS

Alemite Chemical and Material Handling pumps provide the capabilities and versatility needed for various applications. They are designed to deliver materials from original or bulk storage containers to the point of application.

Light Duty

Alemite Light Duty Class 1 Pumps are designed to handle fluids (<400 cp) such as diesel fuel and light oils, and are recommended for dispensing applications.

FEATURES:

- Quick, efficient transfer of large volume fluids
- Aluminum, stainless steel and nylon construction for compatibility with most fluids, including mild corrosives
- ¼" air inlet
- Includes downtube for 55 gallon drums



6799

| Product # | Wetted Materials | Drum Size | Material Outlet | Seal Material | Pump Ratio | Free Flow (per minute) | Cycles | Weight |
|-----------|--|-----------------------|-----------------|---------------|------------|------------------------|-------------------------------|---------------|
| 6799 | Carbon Steel, Aluminum, Stainless Steel, Nylon | 55 gallon (208 liter) | 1" | PTFE and Buna | 1/3:1 | 30 gallon (113 liter) | 30 per gallon (6.7 per liter) | 22 lb (10 kg) |

CHEMICAL AND MATERIAL HANDLING PUMPS

Alemite Class I and 2 Pumps are designed to handle light to medium fluids (5 to 4,000 cp) such as inks and oils. The double ball downtube ensures positive priming for reliable operation. Recommended for dispensing applications.

Light - Medium Duty

FEATURES:

- Stainless steel and carbon steel models suitable for pumping corrosive liquids
- ¼" air inlet
- Stub pumps require downtube (included with 7216-4)

RECOMMENDED ACCESSORIES:

- Single Post Hoist (2741-4 or 2742-4) for models 7216-S3, 7216-4, 7880-C1
 - Requires Adapter Plate (322593)



7880-C1

| Product # | Wetted Materials | Drum Size | Material Inlet | Material Outlet | Seal Material | Pump Ratio | Free Flow (per minute) | Cycles | Weight |
|------------------------|------------------|--------------------------|----------------|-----------------|-------------------|------------|-------------------------|----------------------------------|----------------|
| 7216-4 | Carbon Steel | 55 gallon (208 liter) | – | 1" NPTF(f) | PTFE and Nylon II | 1:1 | 14 gallon (53 liter) | 25 per gallon (5.6 per liter) | 14 lb (6.3 kg) |
| 7216-A4 ⁽¹⁾ | Carbon Steel | 55 gallon (208 liter) | – | 1" NPTF(f) | PTFE and Nylon II | 1:1 | 14 gallon (53 liter) | 25 per gallon (5.6 per liter) | 18 lb (8.2 kg) |
| 7216-S3 | Stainless Steel | 55 gallon (208 liter) | 1" NPTF(f) | 1" NPTF(f) | PTFE | 1:1 | 14 gallon (53 liter) | 25 per gallon (5.6 per liter) | 22 lb (10 kg) |
| 7216-B | Carbon Steel | 55 gallon (208 liter) | – | 3/8" NPTF(f) | Buna | 2:1 | 7 gallon (26 liter) | 32 per gallon (7.2 per liter) | 18 lb (8.2 kg) |
| 7222-B4 | Carbon Steel | Stub | 1-1/2" NPTF(f) | 1" NPTF(f) | Flouroelastomer | 1:1 | 14 gallon (53 liter) | 25 per gallon (5.6 per liter) | 12 lb (5.4 kg) |
| 7880-C1 | Stainless Steel | Stub | 1" NPTF(f) | 3/8" NPTF(f) | PTFE | 2.5:1 | 7 gallon (26 liter) | 38 per gallon (8.5 per liter) | 14 lb (6.3 kg) |

⁽¹⁾ Comes with a flexible steel hose.

CHEMICAL AND MATERIAL HANDLING PUMPS

Light - Heavy Duty

Alemite Class 1, 2, and 3 Pumps are designed for pumping light to heavy fluids including coatings, oils, sealants and sound deadeners. Recommended for dispensing, extruding and spraying applications.

Stainless Steel Pump

FEATURES:

- Stainless steel construction and PTFE seals will tolerate pumping corrosive fluids
- ¼" NPSI air inlet
- Versatile, durable pump which will deliver a range of light to heavy fluids

RECOMMENDED ACCESSORIES:

- Single Post Hoist (2741-4 or 2742-4)
- Adapter Plate (322593) for use with hoist



7835-SDTR1

| Product # | Wetted Materials | Drum Size | Material Outlet | Seal Material | Pump Ratio | Free Flow (per minute) | Cycles | Weight |
|------------|------------------|---------------------------------|-----------------|---------------|------------|-------------------------------|---|---------------|
| 7835-SDTR1 | Stainless Steel | 55 gallon <i>(208 liter)</i> | 3/4" NPTF(f) | PTFE | 5:1 | 5 gallon <i>(19 liter)</i> | 25 per gallon <i>(6.6 per liter)</i> | 44 lb (20 kg) |

CHEMICAL AND MATERIAL HANDLING PUMPS

Medium - Heavy Duty

Alemite Class 2, 3 and 4 Pumps are designed for medium to heavy fluids and medium semi-fluids, including adhesives, sealants and pastes. Power piston downtube combines the priming advantages of a ball check with the performance of an upper chop check to handle heavier loads. Recommended for dispensing, extruding and spraying applications.

FEATURES:

- Stainless steel construction and PTFE seals (model 7886-S5) will tolerate pumping corrosive fluids
- ¾" NPTF(f) air inlet



7886-S5

| Product # | Wetted Materials | Drum Size | Material Outlet | Seal Material | Pump Ratio | Free Flow (per minute) | Cycles | Weight |
|-----------|------------------|-----------------|-----------------|---------------|------------|------------------------|-------------------------------|-----------------|
| 7886-A5 | Carbon Steel | 400 lb (180 kg) | 1" NPTF(f) | Buna | 11:1 | 13 gallon (49 liter) | 30 per gallon (6.7 per liter) | 78 lb (35.3 kg) |
| 7886-S5 | Stainless Steel | 400 lb (180 kg) | 1" NPTF(f) | PTFE | 11:1 | 13 gallon (49 liter) | 30 per gallon (6.7 per liter) | 82 lb (37.2 kg) |

CHEMICAL AND MATERIAL HANDLING PUMPS

Undercoating Pumps

Alemite Undercoating Pumps spray materials using air atomizing or airless spray systems. Common applications include spraying adhesives, roof coatings, and similar uses.

FEATURES:

- Double toggle air valve trip mechanism prevents binding or stalling
- Corrosion resistant chrome finish on piston rods reduces packing wear
- 2-7/16" (61.9 mm) air motor
- 1/4" NPSI air inlet
- Material outlet 3/8" NPTF(f)



331571-C5

| Product # | Description | Drum Size | Pump Ratio | Delivery (per minute) | Included Items | Weight |
|-----------|-------------------|-----------------|------------|-----------------------|----------------|-----------------|
| 331571-A5 | Stationary H Pump | 120 lb (50 kg) | 26:1 | 5.25 lb (2.4 kg) | – | 34 lb (15.4 kg) |
| 331571-B5 | Stationary H Pump | 400 lb (180 kg) | 26:1 | 5.25 lb (2.4 kg) | – | 23 lb (10.4 kg) |
| 331571-C5 | Stationary H Pump | 35 lb | 26:1 | 5.25 lb (2.4 kg) | – | 29 lb (13.1 kg) |

DIAPHRAGM PUMPS

Air Operated

Alemite Diaphragm Pumps are designed for both high volume transfer and dispensing a variety of low viscosity fluids including new oil, used oil, windshield washer fluid, antifreeze, and other materials. Refer to table below for specific pump compatibility.



8301



8324

RECOMMENDED ACCESSORIES

- 1/2" Diaphragm Pump Pressure Relief Kit (343200)
- 1" Diaphragm Pump Pressure Relief Kit (343201)
- Siphon Kit 1" NPT(m) & 1" NPT(f) (SWA306)
- Wall Mounts page page 59

| Prod. # | Material | | Pressure | Body Material | Diaphragm Material | Air Inlet | Recommended Fluids |
|---------------------|--------------|----------------------------|-------------------|---------------|--------------------|-----------|--|
| | Inlet/Outlet | Delivery Rate (per minute) | | | | | |
| ≤1/2" Pumps | | | | | | | |
| 8301 | 1/4" | 4 gallon (15 liter) | 125 psi (8.6 bar) | Poly | PTFE | 1/4" | Windshield Washer Fluid, Antifreeze |
| 8322 | 1/2" | 14 gallon (53 liter) | 100 psi (6.9 bar) | Poly | Buna | 1/4" | Windshield Washer Fluid, Antifreeze, New/Used Oil, Most Water Based Chemicals |
| 8322-A | 1/2" | 15 gallon (56 liter) | 100 psi (6.9 bar) | Alum. | Buna | 1/4" | New/Used Oil |
| 8322-B | 1/2" | 14 gallon (53 liter) | 125 psi (8.6 bar) | Poly | Santoprene | 1/4" | Windshield Washer Fluid, Antifreeze, Soaps, Cleaning Fluid, Non-petroleum Cleaning Chemicals |
| 8322-C | 1/2" | 14 gallon (53 liter) | 125 psi (8.6 bar) | Poly | PTFE | 1/4" | Concentrates, Corrosives, Water Based Solvents, DEF |
| 8322-D | 1/2" | 15 gallon (56 liter) | 125 psi (8.6 bar) | Alum. | PTFE | 1/4" | More universally compatible with solvents, volatiles |
| 1" Pumps | | | | | | | |
| 8323 | 1" | 45 gallon (170 liter) | 125 psi (8.6 bar) | Alum. | Buna | 1/2" | New/Used Oil |
| 8325 ⁽¹⁾ | 1" | 45 gallon (170 liter) | 125 psi (8.6 bar) | Alum. | Buna | 1/2" | Antifreeze, New/Used Oil |
| 8327 ⁽¹⁾ | 1" | 45 gallon (170 liter) | 125 psi (8.6 bar) | Alum. | PTFE | 1/2" | Antifreeze, New/Used Oil |
| >1" Pumps | | | | | | | |
| 8324 | 1-1/2" | 106 gallon (400 liter) | 125 psi (8.6 bar) | Alum. | Buna | 3/4" | Antifreeze, New/Used Oil |
| 8329 | 2" | 150 gallon (567 liter) | 125 psi (8.6 bar) | Alum. | Buna | 3/4" | Antifreeze, New/Used Oil |
| 8340 | 3" | 235 gallon (888 liter) | 125 psi (8.6 bar) | Alum. | Buna | 3/4" | Antifreeze, New/Used Oil |

⁽¹⁾ UL Listed

ELECTRIC PUMPS

Electric Transfer Pumps

Alemite Electric Transfer Pumps transfer chemicals and other fluids from drums, tanks and totes.

FEATURES:

- Designed to transfer a wide range of liquids
- Eliminates direct contact with aggressive chemicals, reduces risk for splashing
- No seals to wear out or replace
- Fast – empty a 55 gallon (208 liter) drum in 90 seconds:
35 gallon (132 liter) per minute delivery
- Light weight and portable
- Maximum viscosity is 1,500 cps
- Pumps can “dry run” against a closed valve without damage
- 16 ft (5 m) power cord with ground



| Product # | Description | Voltage | Weight |
|-----------|---|---------|----------------|
| 340011 | Electric Pump Package, PP Nozzle and Downtube | 115V | 19 lb (8.6 kg) |
| 340012 | Electric Pump Package, PP Nozzle and Downtube | 230V | 19 lb (8.6 kg) |

PUMP/REEL/METER PACKAGE

343076 – Bulk Fluid Tank Package

INCLUDES:

- RAM 5:1 Pump (9968)
- ½" x 50 ft (15.2 m) Oil Reel (8078-D)
- Electronic Meter (3670)
 - with Rigid Extension and Automatic Tip
- ¼" Filter/Regulator (7936)

**NOTE**

Tank, air connecting hose and downtube must be purchased separately.

343077 – Bulk Fluid Tank Package

INCLUDES:

- RAM 5:1 Pump (9968)
- ½" x 50 ft (15.2 m) Oil Reel (8078-D)
- Electronic Meter (3671)
 - with Flexible Extension and Automatic Tip
- ¼" Filter/Regulator (7936)

**NOTE**

Tank, air connecting hose and downtube must be purchased separately.

PUMP ACCESSORIES

Bearing Packers



6709-B4



6598-B



B412

| Product # | Bearing Size | Drum Size | Follower | Drum Cover | Weight |
|-----------|----------------------------------|-----------|----------|------------|----------------|
| 6709-A4 | 19/32" - 8" (15.1 mm - 203.2 mm) | 120 lb | 338803 | 328245-4 | 19 lb (8.6 kg) |
| 6709-B4 | 19/32" - 8" (15.1 mm - 203.2 mm) | 35 lb | 338825 | 337729 | 15 lb (6.8 kg) |
| 6598-B | 3/4" - 6" (19 mm - 152.4 mm) | - | - | - | 4 lb (1.8 kg) |
| B412 | 3/4" - 4" (19 mm - 101.6 mm) | - | - | - | 2 lb (0.9 kg) |

PUMP ACCESSORIES

Drum Covers

FEATURES:

- Durable – made with heavy gauge steel
- Drum cover flange provides rigidity and maintains solid position on drum
- Pump mounts in center of cover, and 3 thumb screws clamp over drum rim

**338981**

| Product # | Drum Size | Use with Pump | Use | Height | Outer Diameter | Weight |
|-----------|--|--------------------|-------------------|-----------------|------------------|------------------|
| 338166 | 35 lb | RAM, Standard Duty | Grease | 2.04" (51.8 mm) | 12" (30.5 cm) | 4.1 lb (1.9 kg) |
| 338371 | 120 lb (50 kg) | RAM, Standard Duty | Grease | 3.19" (81 mm) | 14.88" (37.8 cm) | 5.6 lb (2.5 kg) |
| 338163 | 400 lb (180 kg) | RAM | Grease | 1.5" (38.1 mm) | 23.91" (60.5 cm) | 5.6 lb (2.5 kg) |
| 323800-4 | 120 lb (50 kg) | Industrial | Oil/Grease/Fluids | 1.19" (30.2 mm) | 14.88" (37.8 cm) | 5.5 lb (2.5 kg) |
| 323847-4 | 400 lb (180 kg) / 55 gallon (208 liter) | Industrial | Oil/Grease/Fluids | 3.5" (88.9 mm) | 24.25" (61.5 cm) | 19.4 lb (8.8 kg) |
| 338145 | 16 gallon (50 kg) | RAM 9960, 9968 | Oil/Fluids | 3.19" (81 mm) | 14.88" (37.8 cm) | 5.8 lb (2.6 kg) |
| 338981 | 12.5 kg (276 mm) | Metric Pumps | Grease | 1.45" (36.8 mm) | 10.87" (27.5 cm) | 2.8 lb (1.3 kg) |
| 338982 | 20 kg (315 mm) | Metric Pumps | Grease | 1.71" (43.4 mm) | 12.41" (31.5 cm) | 3.2 lb (1.4 kg) |
| 338983 | 50 kg (409 mm) | Metric Pumps | Grease | 2.05" (52 mm) | 16.09" (40.8 cm) | 7.4 lb (3.4 kg) |
| 338984 | 180 kg (619 mm) | Metric Pumps | Grease | 1.57" (39.9 mm) | 24.36" (61.8 cm) | 13 lb (5.9 kg) |

**338977**

Drum Covers - Bung Mount

| Product # | Drum Size | Use | Height | Outer Diameter | Bung Opening | Weight |
|-----------|--------------------|---------------------|---------------|-----------------|--------------|------------------|
| 338977 | 120 lb / 16 gallon | Oil/Grease/Material | 3.19" (81 mm) | 14.88" (378 mm) | 2" NPTF | 6.2 lb (2.8 kg) |
| 318040-4 | 400 lb / 55 gallon | Oil/Grease/Material | 1.57" (40 mm) | 23.91" (607 mm) | 2" NPTF | 12.5 lb (5.7 kg) |

PUMP ACCESSORIES

Follower Plates


337665

338802

338803

| Product # | Drum Size | Use with Pump | Tube Diameter | Outer Diameter | Weight |
|-----------|--------------------------|---|------------------|------------------|------------------|
| 314898 | 30 lb | 6713-4 (Manual) | 7/8" (22.2 mm) | 8.44" (21.4 cm) | 1.6 lb (0.72 kg) |
| 338801 | 120 lb | 9950 Series | 1-1/8" (28.6 mm) | 14.14" (35.9 cm) | 4.2 lb (1.90 kg) |
| 338802 | 120 lb | RAM, Standard Duty | 1-3/8" (35 mm) | 14.14" (35.9 cm) | 3.6 lb (1.63 kg) |
| 338803 | 120 lb | Manual | 1-5/8" (41.3 mm) | 14.14" (35.9 cm) | 3.6 lb (1.63 kg) |
| 338804 | 120 lb | Industrial | 2" (50.8 mm) | 14.14" (35.9 cm) | 3.6 lb (1.63 kg) |
| 338911 | 400 lb (180 kg / 597 mm) | RAM, Standard Duty, Metric RAM, H and Super H | 1-3/8" (35 mm) | 23.53" (59.8 cm) | 11 lb (4.98 kg) |
| 338912 | 400 lb | Industrial | 2" (50.8 mm) | 23.53" (59.8 cm) | 11 lb (4.98 kg) |
| 338923 | 400 lb | 7539-4 (Manual) | 1-5/8" (41.3 mm) | 23.53" (59.8 cm) | 11 lb (4.98 kg) |
| 337665 | 35 lb | RAM (9911 Series) | 1-1/8" (28.6 mm) | 11.27" (28.6 cm) | 1.7 lb (0.77 kg) |
| 338825 | 35 lb | 7537-4, 6709-B4 (Manual) | 1-5/8" (41.3 mm) | 11.27" (28.6 cm) | 1.9 lb (0.86 kg) |
| 338991 | 12.5 kg (270 mm) | Metric RAM, H and Super H | 29 mm | 10.63" (27.0 cm) | 2 lb (0.90 kg) |
| 338992 | 20 kg (330 mm) | Metric RAM, H and Super H | 29 mm | 12.99" (33.0 cm) | 2.4 lb (1.08 kg) |
| 338993 | 50 kg (390 mm) | Metric RAM, H and Super H | 35 mm | 15.35" (39.0 cm) | 4 lb (1.81 kg) |

PUMP ACCESSORIES

Strainers - Lubricant

| Product # | Description | Inlet | Outlet | Element Product # | Element Porosity | Weight |
|-----------|-------------------|--------------|--------------|-------------------|------------------|------------------|
| 380372-B1 | Grease, Y Type | 1/2" NPTF(f) | 1/2" NPTF(f) | 328628 | 138 micron | 2.3 lb (1.04 kg) |
| 380372-A1 | Oil, Y Type | 1/2" NPTF(f) | 1/2" NPTF(f) | 384847 | 40 micron | 2.3 lb (1.04 kg) |
| 339683 | Waste Oil, T Type | 1" NPTF(f) | 1" NPTF(f) | – | 16 mesh | 1 lb (0.45 kg) |



380372-B1

Strainers - Pump Tube

| Product # | Use with Pump | Weight |
|-----------|---|------------------|
| 326432 | Industrial Heavy Duty | 0.7 lb (0.32 kg) |
| 326463-B1 | RAM 9911, 9950, 9979 and 9940 Series, Standard Duty | 0.3 lb (0.13 kg) |



326463-B1

Bung Adapters

FEATURES:

- Cast iron construction
- 2" NPTF male to fit standard container openings

| Product # | Use with Pump | Tube Size | Weight |
|-----------|-----------------------|-----------|------------------|
| 326750 | RAM and Standard Duty | 1-3/8" | 1.6 lb (0.72 kg) |
| 326750-B1 | Industrial, Material | 2" | 1.6 lb (0.72 kg) |
| 326750-E1 | 7537 Series | 1-5/8" | 1.6 lb (0.72 kg) |



326750-B1

PUMP ACCESSORIES

Pump Hoists



7818-F5



2741-4



2742-4

| Product # | Description | Included Items | Comments | Additional Comments | | Weight | Used With Pump # |
|-----------|------------------------|---|---|---|--------------------------------------|----------------------|--|
| 7818-F5 | Bridge Hoist | Guide rods, drum retaining mechanisms, vacuum break, pump air hose assemblies and follower (327690) | Height: 69-1/4" (1.76 m) (lowered), 107" (2.72 m) (raised) Width: 42-1/2" (1.08 m) Depth: 27-3/16" (691 mm) Air inlet: 3/4" NPTF(f) Maximum pressure: 200 psi (13.8 bar) Drum size: 400 lb (180 kg) | Pump Model 7785-A5 7786-A5 7886-A5 | Adapter required 327247 327247 | 370 lb (167.6 kg) | 7785-A5 7786-A5 7889-C |
| 2741-4 | Single Post Pump Hoist | Hoist, Cover assembly | Height: 62-1/8" (1.6 m) (lowered), 98-5/8" (2.5 m) (raised) Air inlet: 1/4" NPTF (f) Maximum pressure: 150 psi (10.3 bar) Recommended Accessory: Adapter plate (322593) adapts cover assembly to bung mounted pumps | Alemite Industrial Pumps mount directly to the cover assembly | | 75 lb (34 kg) | 7784-A4 7785-A5 7786-A5 7795-A5 |
| 2742-4 | Single Post Pump Hoist | Hoist, Bracket assembly | Height: 62-1/8" (1.6 m) (lowered), 98-5/8" (2.5 m) (raised) Air inlet: 1/4" NPTF (f) Maximum pressure: 150 psi (10.3 bar) Recommended Accessory: Follower plate (327242) for Class III, IV, and V materials, 400 lb (180 kg) | Alemite Industrial Pumps mount directly to the bracket assembly | | 75 lb (34 kg) | 7784-A4 7785-A5 7785-B5 7786-A5 7786-C 7795-A5 7795-B5 |

PUMP ACCESSORIES

Pump Hose Assemblies - Manual High Volume and Multi-Pressure

FEATURES:

- Single wire braid construction
- Use with manual grease pump, high volume and multi-pressure bucket pumps

| Product # | Use with Pump | Coupling Thread Size | Hose ID | Working Pressure (Maximum) | Hose Length | Weight |
|-----------|---|-----------------------------|---------|----------------------------|----------------|-----------------|
| 317853-5 | Manual grease pump, high volume bucket pump, multi-pressure bucket pump | 1/8" NPTF(m) x 3/8" NPTF(m) | 1/4" | 4,400 psi (303 bar) | 5 ft (1.5 m) | 0.9 lb (0.4 kg) |
| 317854-5F | Manual grease pump, high volume bucket pump, multi-pressure bucket pump | 3/8" NPTF(m) x 3/8" NPTF(f) | 3/8" | 3,200 psi (220 bar) | 5.5 ft (1.7 m) | 1.7 lb (0.8 kg) |

Pump Hose Assemblies - All Manual and High Pressure

FEATURES:

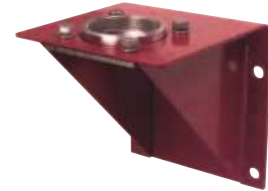
- Use with all manual pumps, including high pressure manual bucket pumps, except for 6713-4

| Product # | Use | Coupler | Hose | Hose Length | Swivel | Check Valve | Adapter | Weight |
|-----------|-------------------------------|----------|-----------|----------------|--------|-------------|---------|------------------|
| 6615-G | Giant Button Head Fittings | 304300 | 317854-5F | 5.5 ft (1.7 m) | 51219 | 46405 | – | 0.5 lb (0.23 kg) |
| 6616-G | Standard Button Head Fittings | 42030 | 317854-5F | 5.5 ft (1.7 m) | 51219 | 46405 | – | 2.5 lb (1.13 kg) |
| 6617-K | Hydraulic Fittings | 6304-C | 317854-10 | 10 ft (3.0 m) | – | – | – | 3.4 lb (1.54 kg) |
| 322434 | Hydraulic Fittings | 308730-A | 317853-5 | 5 ft (1.5 m) | – | – | – | 1 lb (0.45 kg) |

PUMP ACCESSORIES

Wall Brackets

| Product # | Use with Pump | Weight |
|-----------|--|------------------|
| 325749 | RAM 9916-A1, 9918-A, 9968, 9970, 8568-A4 | 3.7 lb (1.7 kg) |
| 328190-B4 | 7783 Series, 7793 Series | 10.1 lb (4.6 kg) |
| 343283 | Diaphragm Evacuation Pump | 10.5 lb (4.8 kg) |
| 343172 | Small Wall Mount Bracket Kit for 1/4" to 1/2" AODD Diaphragm Pumps | – |
| 343173 | Large Wall Mount Bracket Kit for 1/2" to 2" AODD Diaphragm Pumps | – |



325749



343283

PUMP ACCESSORIES

Downtubes

Alemite Downtubes are for use with stub pumps in tank or drum applications. They are produced using PVC, and versions are available for use with or without the low-level cut off (321206).

| Used with Pump | 16-Gallon V-Cut | | 55-Gallon V-Cut | | 250-Gallon V-Cut | | 275-Gallon V-Cut | |
|----------------|-----------------|------------------|-----------------|------------------|------------------|------------------|------------------|-------------------|
| | Product # | Length | Product # | Length | Product # | Length | Product # | Length |
| 7222-B4 | 338147-10 | 17.25" (43.8 cm) | 338147-3 | 25.67" (65.2 cm) | 338147-1 | 21.75" (55.2 cm) | 338147-4 | 33.50" (85.1 cm) |
| 7880-C1 | – | – | 338370-2 | 28.75" (73.0 cm) | 338370-2 | 28.75" (73.0 cm) | – | – |
| 7783-C4 | – | – | 338147-1 | 21.75" (55.2 cm) | 338147-1 | 21.75" (55.2 cm) | – | – |
| 7793-C | – | – | 338147-1 | 21.75" (55.2 cm) | 338147-1 | 21.75" (55.2 cm) | – | – |
| 8568-A4 | 338147-10 | 17.25" (43.8 cm) | 338147-3 | 25.67" (65.2 cm) | 338147-1 | 21.75" (55.2 cm) | 338147-4 | 33.50" (85.1 cm) |
| 9916-A1 | 338147-3 | 25.67" (65.2 cm) | 338147-4 | 33.50" (85.1 cm) | – | – | 338147-9 | 41.75" (106.0 cm) |
| 9918-A | 338147-3 | 25.67" (65.2 cm) | 338147-4 | 33.50" (85.1 cm) | – | – | 338147-9 | 41.75" (106.0 cm) |
| 9968 | 338147-1 | 21.75" (55.2 cm) | 338147-2 | 28.25" (71.8 cm) | 338147-3 | 25.67" (65.2 cm) | 338147-7 | 35.56" (90.3 cm) |
| 9970 | – | – | 338370-2 | 28.75" (73.0 cm) | 338370-2 | 28.75" (73.0 cm) | – | – |

These downtubes can be added to stub pumps in tanks and drums using low-level cut off (321206).

| Used with Pump | 16-Gallon Ext. | | 55-Gallon Ext. | | 250-Gallon Ext. | | 275-Gallon Ext. | |
|----------------|----------------|------------------|----------------|------------------|-----------------|------------------|-----------------|------------------|
| | Product # | Length | Product # | Length | Product # | Length | Product # | Length |
| 7222-B4 | 338246-10 | 13.38" (34 cm) | 338246-3 | 21.75" (55.2 cm) | 338246-1 | 18" (45.7 cm) | 338246-4 | 29.56" (75 cm) |
| 8568-A4 | 338246-10 | 13.38" (34 cm) | 338246-3 | 21.75" (55.2 cm) | 338246-1 | 18" (45.7 cm) | 338246-4 | 29.56" (75 cm) |
| 9916-A1 | 338246-3 | 21.75" (55.2 cm) | – | – | – | – | 338246-5 | 36.78" (93.4 cm) |
| 9918-A | 338246-3 | 21.75" (55.2 cm) | – | – | – | – | 338246-5 | 36.78" (93.4 cm) |
| 9968 | – | – | – | – | 338246-3 | 21.75" (55.2 cm) | – | – |



- ▶ Heavy Duty, Compact & Severe Duty Reels
- ▶ Narrow Double Post Reels
- ▶ High Capacity Reels
- ▶ Enclosed Reels
- ▶ Welding Reels
- ▶ Twin Hose Reels
- ▶ DEF (Diesel Exhaust Fluid) Hose Reels
- ▶ Power & Light Reels
- ▶ Specialty Reels
- ▶ Hose Reel Accessories

Alemite reels are the standard for quality and durability in the lubrication industry. High attention to detail in material selection, construction and testing ensure that Alemite reels perform well – every time – providing a key component in a safe and efficient operation.

GF Plant Spares Ltd
M: 086-253-2715
www.gfplantspares.com

HEAVY DUTY REELS

Alemite Heavy Duty Reels set the industry standard for reliable, rugged performance in tough work environments. Engineered for optimum performance and safety, these reels are suitable for a wide range of demanding applications.

FEATURES:

- Superior Performance – Swivel and reel ball bearings reduce torque load on power spring for smooth retraction every time
- Anti-Lockout Design – Ratchet prevents lockup when hose is fully extended, eliminating the need to manually release the pawl at the reel
- Corrosion Resistant – Sealed bearings prevent contamination and minimize maintenance, a critical performance factor in dirty environments
- Easy Installation and Maintenance – Factory lubricated one piece power spring cassette makes installation and maintenance safe and easy
- Durable – Heavy metal arbor design withstands extreme stress and eliminates breakage associated with non-metal and light weight metal arbors
- Adjustable and Versatile – 5 position guide arm allows hose to release at an optimum position. Narrow design allows for efficient use of available space
- Compatibility – Oil, grease, air, water



8078 Series

INCLUDED ITEMS:

- Hose Reel
- Hose
- Hose Stop
- Union
- 24" (61 cm) Connecting Hose

Colors not available in every size or length.



Oil

| Product # | Color | Max Pressure | Delivery Hose | | | Connecting Hose ⁽¹⁾ | | Weight |
|-----------|--------|---------------------|-----------------|-----------|--------------|--------------------------------|----------|---------------|
| | | | Specification | Part # | Outlet | Inlet | Part # | |
| 8078-C | Maroon | 1,500 psi (103 bar) | 1/2" ID x 30 ft | 317813-30 | 1/2" NPTF(m) | 1/2" NPTF(m) | 317813-2 | 58 lb (26 kg) |
| 8078-D | Maroon | 1,500 psi (103 bar) | 1/2" ID x 50 ft | 317813-50 | 1/2" NPTF(m) | 1/2" NPTF(m) | 317813-2 | 58 lb (26 kg) |
| 8078-DBL | Blue | 1,500 psi (103 bar) | 1/2" ID x 50 ft | 317813-50 | 1/2" NPTF(m) | 1/2" NPTF(m) | 317813-2 | 58 lb (26 kg) |
| 8078-DBK | Black | 1,500 psi (103 bar) | 1/2" ID x 50 ft | 317813-50 | 1/2" NPTF(m) | 1/2" NPTF(m) | 317813-2 | 58 lb (26 kg) |
| 8078-DW | White | 1,500 psi (103 bar) | 1/2" ID x 50 ft | 317813-50 | 1/2" NPTF(m) | 1/2" NPTF(m) | 317813-2 | 58 lb (26 kg) |

⁽¹⁾Connecting Hose length is 24" (61 cm)

Grease

| Product # | Color | Max Pressure | Delivery Hose | | | Connecting Hose ⁽¹⁾ | | Weight |
|-----------|--------|---------------------|-----------------|-----------|--------------|--------------------------------|----------|---------------|
| | | | Specification | Part # | Outlet | Inlet | Part # | |
| 8078-A | Maroon | 6,400 psi (440 bar) | 1/4" ID x 30 ft | 317874-30 | 1/4" NPTF(f) | 3/8" NPTF(m) | 317876-2 | 56 lb (25 kg) |
| 8078-B | Maroon | 6,000 psi (413 bar) | 1/4" ID x 50 ft | 317874-50 | 1/4" NPTF(f) | 3/8" NPTF(m) | 317876-2 | 59 lb (27 kg) |
| 8078-T | Maroon | 6,400 psi (440 bar) | 3/8" ID x 50 ft | 317870-50 | 1/4" NPTF(f) | 3/8" NPTF(m) | 317882-2 | 63 lb (29 kg) |
| 8078-BBL | Blue | 6,000 psi (413 bar) | 1/4" ID x 50 ft | 317874-50 | 1/4" NPTF(f) | 3/8" NPTF(m) | 317876-2 | 59 lb (27 kg) |
| 8078-BBK | Black | 6,000 psi (413 bar) | 1/4" ID x 50 ft | 317874-50 | 1/4" NPTF(f) | 3/8" NPTF(m) | 317876-2 | 59 lb (27 kg) |
| 8078-BW | White | 6,000 psi (413 bar) | 1/4" ID x 50 ft | 317874-50 | 1/4" NPTF(f) | 3/8" NPTF(m) | 317876-2 | 59 lb (27 kg) |

⁽¹⁾Connecting Hose length is 24" (61 cm)

HEAVY DUTY REELS

Air/Water

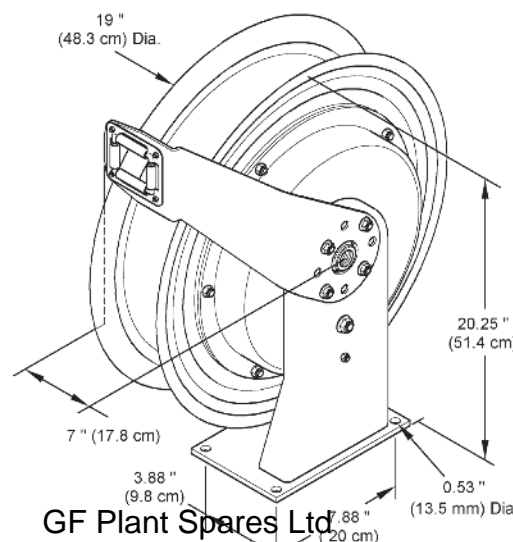
| Product # | Color | Max Pressure | Delivery Hose | | | Connecting Hose ⁽¹⁾ | | Weight |
|-----------|--------|------------------|-----------------|-----------|--------------|--------------------------------|----------|---------------|
| | | | Specification | Part # | Outlet | Inlet | Part # | |
| 8078-E* | Maroon | 300 psi (20 bar) | 3/8" ID x 30 ft | 317803-30 | 1/4" NPTF(m) | 1/2" NPTF(m) | 317811-2 | 51 lb (23 kg) |
| 8078-F* | Maroon | 300 psi (20 bar) | 3/8" ID x 50 ft | 317803-50 | 1/4" NPTF(m) | 1/2" NPTF(m) | 317811-2 | 53 lb (24 kg) |
| 8078-M* | Maroon | 300 psi (20 bar) | 1/2" ID x 50 ft | 317811-50 | 1/2" NPTF(m) | 1/2" NPTF(m) | 317811-2 | 61 lb (28 kg) |
| 8078-FBL* | Blue | 300 psi (20 bar) | 3/8" ID x 50 ft | 317803-50 | 1/4" NPTF(m) | 1/2" NPTF(m) | 317811-2 | 53 lb (24 kg) |
| 8078-FBK* | Black | 300 psi (20 bar) | 3/8" ID x 50 ft | 317803-50 | 1/4" NPTF(m) | 1/2" NPTF(m) | 317811-2 | 53 lb (24 kg) |
| 8078-FW* | White | 300 psi (20 bar) | 3/8" ID x 50 ft | 317803-50 | 1/4" NPTF(m) | 1/2" NPTF(m) | 317811-2 | 53 lb (24 kg) |

⁽¹⁾Connecting Hose length is 24" (61 cm)

* **⚠ WARNING** California Proposition 65: Cancer and reproductive harm. www.P65Warnings.ca.gov

Bare Reels

| Product # | Color | Usage | Max Pressure | Reel Inlet | Reel Outlet | Weight |
|-----------|--------|-----------|---------------------|--------------|---------------------|---------------|
| 7135-A | Blue | Oil | 1,500 psi (103 bar) | 1/2" NPTF(f) | 1/2" NPTF(f) Swivel | 50 lb (23 kg) |
| 7135-B | Black | Oil | 1,500 psi (103 bar) | 1/2" NPTF(f) | 1/2" NPTF(f) Swivel | 50 lb (23 kg) |
| 7135-C | White | Oil | 1,500 psi (103 bar) | 1/2" NPTF(f) | 1/2" NPTF(f) Swivel | 50 lb (23 kg) |
| 7335-B | Maroon | Oil | 1,500 psi (103 bar) | 1/2" NPTF(f) | 1/2" NPTF(f) Swivel | 50 lb (23 kg) |
| 7134-A | Blue | Grease | 6,000 psi (413 bar) | 1/2" NPTF(f) | 3/8" NPTF(f) Swivel | 50 lb (23 kg) |
| 7134-B | Black | Grease | 6,000 psi (413 bar) | 1/2" NPTF(f) | 3/8" NPTF(f) Swivel | 50 lb (23 kg) |
| 7134-C | White | Grease | 6,000 psi (413 bar) | 1/2" NPTF(f) | 3/8" NPTF(f) Swivel | 50 lb (23 kg) |
| 7334-B | Maroon | Grease | 6,400 psi (440 bar) | 1/2" NPTF(f) | 3/8" NPTF(f) Swivel | 50 lb (23 kg) |
| 7136-A | Blue | Air/Water | 300 psi (20 bar) | 1/2" NPTF(f) | 3/8" NPTF(f) | 50 lb (23 kg) |
| 7136-B | Black | Air/Water | 300 psi (20 bar) | 1/2" NPTF(f) | 3/8" NPTF(f) | 50 lb (23 kg) |
| 7136-C | White | Air/Water | 300 psi (20 bar) | 1/2" NPTF(f) | 3/8" NPTF(f) | 50 lb (23 kg) |
| 7336-B | Maroon | Air/Water | 300 psi (20 bar) | 1/2" NPTF(f) | 3/8" NPTF(f) | 50 lb (23 kg) |



COMPACT REELS

Alemite Compact Reels provide optimum performance and safety in rough working environments. Featuring the same mounting pattern as Alemite's Heavy Duty and Severe Duty Reels, these models are engineered for use in locations where space is limited. Alemite Compact Reels utilize shorter arms and a smaller diameter to provide reel performance in tight spaces.

FEATURES:

- Saves space; fits in cabinets with 16.5" depth
- Superior Performance – Swivel and reel ball bearings reduce torque load on power spring for smooth retraction every time
- Anti-Lockout Design – Ratchet prevents lockup when hose is fully extended, eliminating the need to manually release the pawl at the reel
- Corrosion Resistant – Sealed bearings prevent contamination and minimize maintenance, a critical performance factor in dirty environments
- Easy Installation and Maintenance – Factory lubricated one piece power spring cassette makes installation and maintenance safe and easy
- Durable – Heavy metal arbor design withstands extreme stress and eliminates breakage associated with non-metal and light weight metal arbors
- Adjustable and Versatile – 5 position guide arm allows hose to release at an optimum position. Narrow design allows for efficient use of available space

INCLUDED ITEMS:

- Hose Reel
- Hose
- Hose Stop
- Union
- 24" (61 cm) Connecting Hose



8016-B



8017-K

Oil

| Product # | Color | Max Pressure | Delivery Hose | | | Connecting Hose | | Weight |
|-----------|--------|---------------------|-----------------|-----------|--------------|-----------------|----------|----------------|
| | | | Specification | Part # | Outlet | Inlet | Part # | |
| 8016-C | Maroon | 1,500 psi (103 bar) | 1/2" ID x 30 ft | 317813-30 | 1/2" NPTF(m) | 1/2" NPTF(m) | 317813-2 | 53 lb. (24 kg) |

Includes bare reel 7316-C

Grease

| Product # | Color | Max Pressure | Delivery Hose | | | Connecting Hose | | Weight |
|-----------|--------|---------------------|-----------------|-----------|--------------|-----------------|----------|----------------|
| | | | Specification | Part # | Outlet | Inlet | Part # | |
| 8016-B | Maroon | 6,000 psi (413 bar) | 1/4" ID x 50 ft | 317874-50 | 1/4" NPTF(f) | 3/8" NPTF(m) | 317876-2 | 53 lb. (24 kg) |

Includes bare reel 7316-B

COMPACT REELS

Air/Water

| Product # | Color | Max Pressure | Delivery Hose | | | Connecting Hose | | Weight |
|-----------|--------|------------------|-----------------|-----------|--------------|-----------------|----------|----------------|
| | | | Specification | Part # | Outlet | Inlet | Part # | |
| 8016-F* | Maroon | 300 psi (21 bar) | 3/8" ID x 50 ft | 317803-50 | 1/4" NPTF(m) | 1/2" NPTF(m) | 317811-2 | 53 lb. (24 kg) |

Includes narrow bare reel 7316-F

* **⚠ WARNING** California Proposition 65: Cancer and reproductive harm. www.P65Warnings.ca.gov

Diesel Fuel Oil/Evacuation

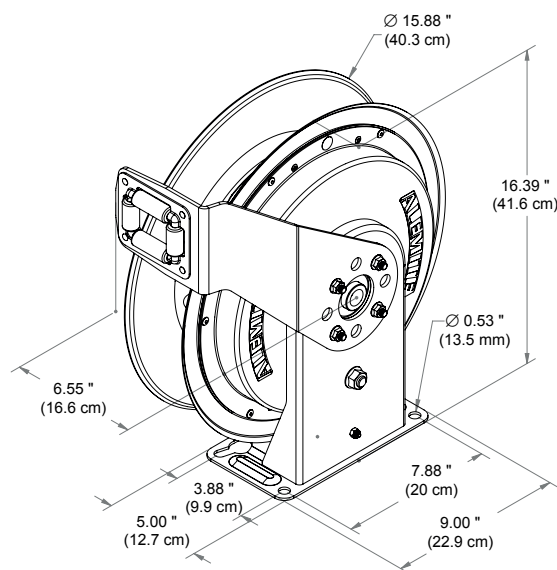
| Product # | Color | Max Pressure | Delivery Hose | | | Connecting Hose | | Weight |
|-----------|--------|----------------------------|-----------------|-----------|--------------|-----------------|----------|----------------|
| | | | Specification | Part # | Outlet | Inlet | Part # | |
| 8017-K | Maroon | 300 psi (21 bar) 30" Hg | 3/4" ID x 30 ft | 317868-30 | 3/4" NPTF(m) | 3/4" NPTF(m) | 317868-2 | 73 lb. (33 kg) |

Includes wide bare reel 7317-K

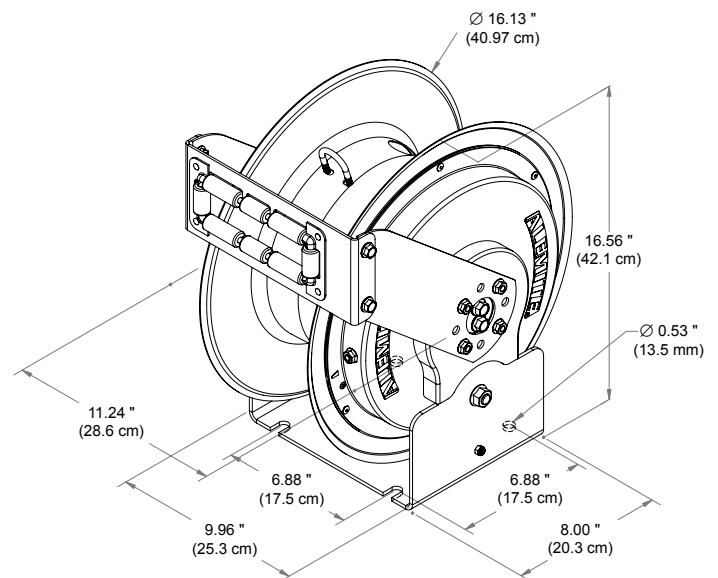
Bare Reels

| Product # | Color | Usage | Max Pressure | Reel Inlet | Reel Outlet | Weight |
|-----------|--------|----------------------------------|---------------------------|--------------|---------------------|------------------|
| 7316-C | Maroon | Oil | 1,500 psi (103 bar) | 1/2" NPTF(f) | 3/8" NPSM(f) Swivel | 43 lb. (19,5 kg) |
| 7316-B | Maroon | Grease | 6,000 psi (413 bar) | 1/2" NPTF(f) | 3/8" NPSM(f) Swivel | 43 lb. (19,5 kg) |
| 7316-F* | Maroon | Air/Water | 300 psi (21 bar) | 1/2" NPTF(f) | 1/4" NPSM(f) Swivel | 43 lb. (19,5 kg) |
| 7317-K | Maroon | Oil/Air/Water Diesel Fuel Oil | 300 psi (21 bar) / 30" Hg | 3/4" NPTF(f) | 3/4" NPSM(f) Swivel | 58 lb. (26 kg) |

* **⚠ WARNING** California Proposition 65: Cancer and reproductive harm. www.P65Warnings.ca.gov



7316-C



7317-K

SEVERE DUTY REELS

Tough jobs require tough equipment. Alemite Severe Duty Reels are designed to deliver maximum strength and durability in harsh working conditions. The thicker, fully welded base plate provides solid stability for mobile applications, and weather resistant gaskets and O-rings protect internal components from corrosion.

FEATURES:

- Superior Performance – Swivel and reel ball bearings reduce torque load on power spring for smooth retraction every time
- Anti-Lockout Design – Ratchet prevents lockup when hose is fully extended, eliminating the need to manually release the pawl at the reel
- Corrosion Resistant – Sealed bearings and weather resistant sealing components prevent contamination and minimize maintenance, a critical performance factor in dirty environments
- Easy Installation and Maintenance – Factory lubricated one piece power spring cassette makes installation and maintenance safe and easy
- Durable – Heavy metal arbor design withstands extreme stress and eliminates breakage associated with non-metal and light weight metal arbors. Thicker, fully welded base plate ensures off road stability
- Adjustable and Versatile – 5 position guide arm allows hose to release at an optimum position. Narrow design allows for efficient use of available space



7337-C

INCLUDED ITEMS:

- Hose Reel
- Hose
- Hose Stop
- Union
- 24" (61 cm) Connecting Hose

Oil

| Product # | Max Pressure | Delivery Hose | | | Connecting Hose ⁽¹⁾ | | Weight |
|-----------------------|---------------------|-----------------|-----------|--------------|--------------------------------|----------|---------------|
| | | Specification | Part # | Outlet | Inlet | Part # | |
| 8078-P ⁽²⁾ | 1,500 psi (103 bar) | 1/2" ID x 30 ft | 317813-30 | 1/2" NPTF(m) | 1/2" NPTF(m) | 317813-2 | 58 lb (26 kg) |
| 8078-H ⁽²⁾ | 1,500 psi (103 bar) | 1/2" ID x 50 ft | 317813-50 | 1/2" NPTF(m) | 1/2" NPTF(m) | 317813-2 | 60 lb (27 kg) |

⁽¹⁾Connecting Hose length is 24" (61 cm)

⁽²⁾Includes Base Reel 7335-C

Grease

| Product # | Max Pressure | Delivery Hose | | | Connecting Hose ⁽¹⁾ | | Weight |
|-----------|---------------------|-----------------|-----------|--------------|--------------------------------|----------|---------------|
| | | Specification | Part # | Outlet | Inlet | Part # | |
| 8078-N | 6,000 psi (413 bar) | 1/4" ID x 30 ft | 317874-30 | 1/4" NPTF(f) | 3/8" NPTF(m) | 317876-2 | 58 lb (26 kg) |
| 8078-G | 6,000 psi (413 bar) | 1/4" ID x 50 ft | 317874-50 | 1/4" NPTF(f) | 3/8" NPTF(m) | 317876-2 | 60 lb (28 kg) |

⁽¹⁾Connecting Hose length is 24" (61 cm)

⁽²⁾Includes Base Reel 7334-C

SEVERE DUTY REELS

Air/Water

| Product # | Max Pressure | Delivery Hose | | | Connecting Hose ⁽¹⁾ | | Weight |
|-------------------------|------------------|-----------------|-----------|--------------|--------------------------------|----------|---------------|
| | | Specification | Part # | Outlet | Inlet | Part # | |
| 8078-R ⁽²⁾ * | 300 psi (20 bar) | 3/8" ID x 30 ft | 317803-30 | 1/4" NPTF(m) | 1/2" NPTF(m) | 317811-2 | 53 lb (24 kg) |
| 8078-J ⁽²⁾ * | 300 psi (20 bar) | 3/8" ID x 50 ft | 317803-50 | 1/4" NPTF(m) | 1/2" NPTF(m) | 317811-2 | 53 lb (24 kg) |

⁽¹⁾Connecting Hose length is 24" (61 cm)

⁽²⁾Includes Base Reel (7336-C), Air Coupler (328030) and Air Adapter (328034).

* **⚠ WARNING** California Proposition 65: Cancer and reproductive harm. www.P65Warnings.ca.gov

Diesel Fuel Oil

| Product # | Max Pressure | Delivery Hose | | | Connecting Hose ⁽¹⁾ | | Weight |
|-------------------------|------------------|-----------------|-----------|--------------|--------------------------------|----------|---------------|
| | | Specification | Part # | Outlet | Inlet | Part # | |
| 8078-K ⁽²⁾ * | 300 psi (20 bar) | 3/4" ID x 30 ft | 317868-30 | 3/4" MPTF(m) | 3/4" NPTF(m) | 317868-2 | 71 lb (32 kg) |

⁽¹⁾Connecting Hose length is 24" (61 cm)

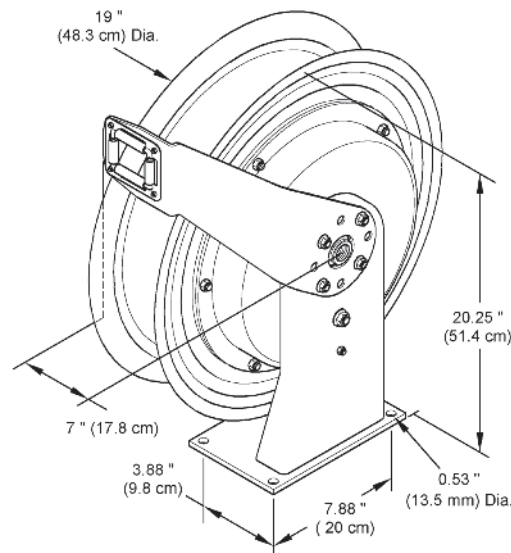
⁽²⁾Includes Base Reel 7337-C

* **⚠ WARNING** California Proposition 65: Cancer and reproductive harm. www.P65Warnings.ca.gov

Bare Reels

| Product # | Color | Usage | Max Pressure | Reel Inlet | Reel Outlet | Weight |
|-----------|--------|-----------------|---------------------|--------------|---------------------|---------------|
| 7335-C | Maroon | Oil | 1,500 psi (103 bar) | 1/2" NPTF(f) | 1/2" NPTF(f) Swivel | 50 lb (23 kg) |
| 7334-C | Maroon | Grease | 6,000 psi (413 bar) | 1/2" NPTF(f) | 3/8" NPTF(f) Swivel | 50 lb (23 kg) |
| 7336-C | Maroon | Air/Water | 300 psi (20 bar) | 1/2" NPTF(f) | 3/8" NPTF(f) | 44 lb (20 kg) |
| 7337-C* | Maroon | Diesel Fuel Oil | 300 psi (20 bar) | 3/4" NPTF(f) | 3/4" NPTF(f) Swivel | 53 lb (24 kg) |

* **⚠ WARNING** California Proposition 65: Cancer and reproductive harm. www.P65Warnings.ca.gov



NARROW DOUBLE POST REELS

Alemite Narrow Double Post Reels provide the rugged, reliable performance of an Alemite Reel, with a narrower design to fully optimize space efficiency. The dual arm design provides increased strength and stability in demanding off road applications.

FEATURES:

- Narrow Design – 8.5" (22 cm) wide, for better space utilization
- Superior Performance – Swivel and reel ball bearings reduce torque load on power spring for smooth retraction every time
- Anti-Lockout Design – Ratchet prevents lockup when hose is fully extended, eliminating the need to manually release the pawl at the reel
- Corrosion Resistant – Sealed bearings prevent contamination and minimize maintenance, a critical performance factor in dirty environments
- Easy Installation and Maintenance – Factory lubricated one piece power spring cassette makes installation and maintenance safe and easy
- Durable – Heavy metal arbor and dual arm design withstand extreme stress and eliminate breakage associated with non-metal and light weight metal arbors
- Adjustable and Versatile – 5 position guide arm allows hose to release at an optimum position. Narrow design allows for efficient use of available space
- Compatibility – Oil, grease, air, water, fuel, hydraulic fluid



8081 Series

INCLUDED ITEMS:

- Hose Reel
- Hose
- Hose Stop
- Swivel Inlet Union

Oil

| Product # | Max Pressure | Delivery Hose | | | Reel Inlet | Weight |
|-----------|---------------------|-----------------|-----------|--------------|--------------|---------------|
| | | Specification | Part # | Outlet | | |
| 8081-C | 1,800 psi (124 bar) | 1/2" ID x 40 ft | 317813-40 | 1/2" NPTF(m) | 1/2" NPSM(m) | 71 lb (32 kg) |
| 8081-D | 1,800 psi (124 bar) | 1/2" ID x 50 ft | 317813-50 | 1/2" NPTF(m) | 1/2" NPSM(m) | 74 lb (34 kg) |

Grease

| Product # | Max Pressure | Delivery Hose | | | Reel Inlet | Weight |
|-----------|---------------------|-----------------|-----------|--------------|--------------|---------------|
| | | Specification | Part # | Outlet | | |
| 8081-A | 6,500 psi (448 bar) | 1/4" ID x 30 ft | 317874-30 | 1/4" NPTF(f) | 3/8" NPSM(m) | 71 lb (32 kg) |
| 8081-B | 6,500 psi (448 bar) | 1/4" ID x 50 ft | 317874-50 | 1/4" NPTF(f) | 3/8" NPSM(m) | 72 lb (33 kg) |
| 8081-J | 4,000 psi (275 bar) | 3/8" ID x 50 ft | 317870-50 | 1/4" NPTF(f) | 3/8" NPTF(m) | 72 lb (33 kg) |

NARROW DOUBLE POST REELS

Air/Water

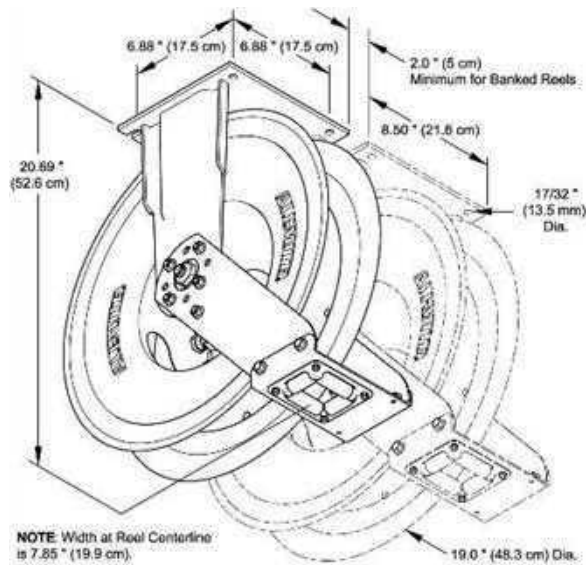
| Product # | Max Pressure | Delivery Hose | | | Reel Inlet | Weight |
|-----------|------------------|-----------------|-----------|--------------|--------------|---------------|
| | | Specification | Part # | Outlet | | |
| 8081-E | 300 psi (20 bar) | 3/8" ID x 40 ft | 317803-40 | 1/4" NPTF(m) | 1/2" NPSM(m) | 62 lb (28 kg) |
| 8081-F | 300 psi (20 bar) | 3/8" ID x 50 ft | 317803-50 | 1/4" NPTF(m) | 1/2" NPSM(m) | 64 lb (29 kg) |
| 8081-G | 300 psi (20 bar) | 1/2" ID x 50 ft | 317811-50 | 1/2" NPTF(m) | 1/2" NPSM(m) | 69 lb (31 kg) |

Fuel

| Product # | Max Pressure | Delivery Hose | | | Reel Inlet | Weight |
|-----------|------------------|-----------------|-----------|--------------|--------------|---------------|
| | | Specification | Part # | Outlet | | |
| 8081-K | 300 psi (20 bar) | 3/4" ID x 30 ft | 317868-30 | 3/4" NPTF(m) | 3/4" NPSM(m) | 75 lb (34 kg) |

Bare Reels

| Product # | Color | Usage | Max Pressure | Union Inlet | Union Part # | Reel Outlet | Weight |
|-----------|--------|-----------|---------------------|--------------|--------------|---------------------|---------------|
| 7371 | Maroon | Oil | 1,800 psi (124 bar) | 1/2" NPSM(m) | 340528-3 | 1/2" NPSM(f) Swivel | 57 lb (26 kg) |
| 7370 | Maroon | Grease | 6,500 psi (448 bar) | 1/2" NPSM(m) | 340528-2 | 3/8" NPSM(f) Swivel | 58 lb (27 kg) |
| 7372 | Maroon | Air/Water | 300 psi (20 bar) | 1/2" NPSM(m) | 340528-3 | 1/4" NPTF(f) Swivel | 55 lb (25 kg) |
| 7373 | Maroon | Fuel | 300 psi (20 bar) | 3/4" NPSM(m) | 340528-4 | 3/4" NPSM(f) Swivel | 61 lb (28 kg) |



HIGH CAPACITY REELS

Alemite High Capacity Reels offer high volume delivery in the most extreme outdoor conditions. The high capacity flow passage reduces fill rate time, improving efficiency and helping reduce cost.

FEATURES:

- Superior Performance – Swivel and reel ball bearings reduce torque load on power spring for smooth retraction every time
- Anti-Lockout Design – Ratchet prevents lockup when hose is fully extended, eliminating the need to manually release the pawl at the reel
- Corrosion Resistant – Sealed bearings prevent contamination and minimize maintenance, a critical performance factor in dirty environments. Sealed rollers eliminate contamination which can bind hose guide rollers
- Easy Installation and Maintenance – Factory lubricated one piece power spring cassette makes installation and maintenance safe and easy. Outlet port swivel nut makes installing delivery hose quick and easy
- Strong and Stable – Double arm design provides extra support for a larger hose during use. Four corner bolt hole pattern on outside of base provides extra stability
- Compatibility – Oil, air, water, fuel



8080 Series

INCLUDED ITEMS:

- Hose Reel
- Delivery Hose
- Hose Stop

Oil

| Product # | Max Pressure | Delivery Hose | | | Reel Inlet | Weight |
|-----------|---------------------|------------------|------------|--------------|--------------|----------------|
| | | Specification | Part # | Outlet | | |
| 8080-B | 1,500 psi (103 bar) | 1/2" ID x 80 ft | 317813-80 | 1/2" NPTF(m) | 1/2" NPTF(f) | 146 lb (66 kg) |
| 8080-H | 1,500 psi (103 bar) | 1/2" ID x 100 ft | 317813-100 | 1/2" NPTF(m) | 1/2" NPTF(f) | 150 lb (68 kg) |

Grease

| Product # | Max Pressure | Delivery Hose | | | Reel Inlet | Weight |
|-----------|---------------------|-----------------|-----------|--------------|--------------|----------------|
| | | Specification | Part # | Outlet | | |
| 8080-A | 6,000 psi (413 bar) | 3/8" ID x 80 ft | 317870-80 | 1/4" NPTF(f) | 3/8" NPTF(m) | 150 lb (68 kg) |

HIGH CAPACITY REELS

Air/Water

| Product # | Max Pressure | Delivery Hose | | | Reel Inlet | Weight |
|-----------|------------------|------------------|------------|--------------|--------------|----------------|
| | | Specification | Part # | Outlet | | |
| 8080-C | 300 psi (20 bar) | 1/2" ID x 80 ft | 317811-80 | 1/2" NPTF(m) | 1/2" NPTF(f) | 115 lb (52 kg) |
| 8080-D | 300 psi (20 bar) | 1/2" ID x 100 ft | 317811-100 | 1/2" NPTF(m) | 1/2" NPTF(f) | 125 lb (57 kg) |

Fuel

| Product # | Max Pressure | Delivery Hose | | | Reel Inlet | Weight |
|-----------|--------------------|-----------------|-----------|--------------|------------|----------------|
| | | Specification | Part # | Outlet | | |
| 8080-E | 1,000 psi (69 bar) | 3/4" ID x 50 ft | 317868-50 | 3/4" NPTF(f) | 1" NPTF(f) | 145 lb (65 kg) |
| 8080-F | 1,000 psi (69 bar) | 3/4" ID x 70 ft | 317868-70 | 3/4" NPTF(f) | 1" NPTF(f) | 155 lb (70 kg) |
| 8080-G * | 1,000 psi (69 bar) | 1" ID x 50 ft | 317869-50 | 1" NPTF(f) | 1" NPTF(f) | 165 lb (75 kg) |

*Model 8080-G can replace model 8080-J, which is obsolete

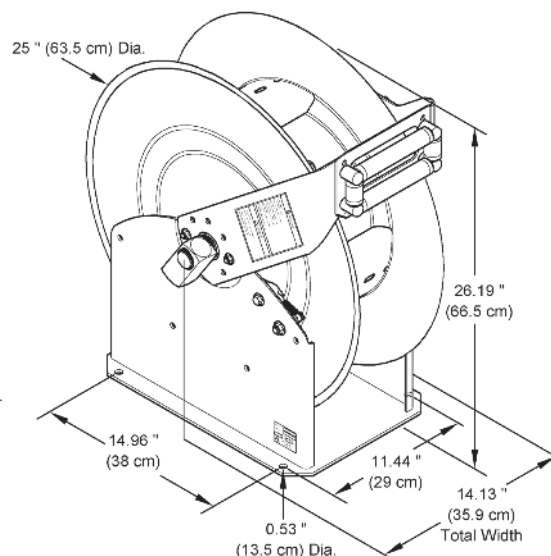
Bare Reels

| Product # | Color | Usage | Max Pressure | Reel Inlet | Reel Outlet | Weight |
|------------------------|--------|--------------------|---------------------|----------------|---------------------|----------------|
| 7341 | Maroon | Oil/Air/Water | 1,500 psi (103 bar) | 1/2" NPTF(f) | 1/2" NPSM(f) Swivel | 124 lb (56 kg) |
| 7340 | Maroon | Grease | 6,000 psi (413 bar) | 3/8" NPTF(f) | 3/8" NPSM(f) Swivel | 123 lb (55 kg) |
| 7342 | Maroon | Fuel | 1,000 psi (69 bar) | 1" NPTF(f) | 1" NPSM(f) Swivel | 119 lb (54 kg) |
| 7345 ⁽¹⁾⁽³⁾ | Maroon | Oil/Air/Water/Fuel | 300 psi (20 bar) | 1-1/2" NPTF(f) | 1-1/4" NPTF(f) | 125 lb (57 kg) |
| 7346 ⁽²⁾⁽³⁾ | Maroon | Oil/Air/Water/Fuel | 300 psi (20 bar) | 1-1/2" NPTF(f) | 1-1/2" NPTF(f) | 125 lb (57 kg) |

⁽¹⁾Max hose size 1-1/4" ID x 1-1/2" OD x 50 ft

⁽²⁾Max hose size 1-1/2" ID x 2" OD x 50 ft

⁽³⁾Bare reel with ball stop, hose not included



ENCLOSED REELS

Alemite Enclosed Reels are ideal for when your workplace is in view of customers and a clean appearance is expected. These reels offer looks and performance to meet the needs of your shop. Placed together in a bank, Alemite Enclosed Reels feature a track system for easy installation.

FEATURES:

- Stain and impact resistant ABS polymer side panels
- Attractive casing for enhanced professional look
- Track system for quick and easy installation
- Roller guides attached to the hose reel for convenient servicing
- Compatibility – Oil, grease, air, water

INCLUDED ITEMS:

- Hose Reel
- Delivery Hose
- Hose Stop
- Union
- 24" (61 cm) Connecting Hose

ITEMS TO PURCHASE SEPARATELY:

- Cabinet
- End Panels



8079 Series

Oil

| Product # | Max Pressure | Delivery Hose | | | Connecting Hose ⁽¹⁾ | | Weight |
|-----------|---------------------|-----------------|-----------|---------|--------------------------------|----------|---------------|
| | | Specification | Part # | Outlet | Inlet | Part # | |
| 8079-C | 1,500 psi (103 bar) | 1/2" ID x 30 ft | 317813-30 | 1/2"(m) | 1/2"(m) | 317813-2 | 73 lb (33 kg) |
| 8079-D | 1,500 psi (103 bar) | 1/2" ID x 50 ft | 317813-50 | 1/2"(m) | 1/2"(m) | 317813-2 | 75 lb (34 kg) |

⁽¹⁾ Connecting Hose length is 24" (61 cm)

Grease

| Product # | Max Pressure | Delivery Hose | | | Connecting Hose ⁽¹⁾ | | Weight |
|-----------|---------------------|-----------------|-----------|---------|--------------------------------|----------|---------------|
| | | Specification | Part # | Outlet | Inlet | Part # | |
| 8079-A | 6,000 psi (413 bar) | 1/4" ID x 30 ft | 317874-30 | 1/4"(f) | 3/8"(m) | 317876-2 | 73 lb (33 kg) |
| 8079-B | 6,000 psi (413 bar) | 1/4" ID x 50 ft | 317874-50 | 1/4"(f) | 3/8"(m) | 317876-2 | 76 lb (35 kg) |

⁽¹⁾ Connecting Hose length is 24" (61 cm)

Air/Water

| Product # | Max Pressure | Delivery Hose | | | Connecting Hose ⁽¹⁾ | | Weight |
|-----------|------------------|-----------------|-----------|---------|--------------------------------|----------|---------------|
| | | Specification | Part # | Outlet | Inlet | Part # | |
| 8079-E* | 300 psi (20 bar) | 3/8" ID x 30 ft | 317803-30 | 1/4"(f) | 3/8"(m) | 317811-2 | 68 lb (30 kg) |
| 8079-F* | 300 psi (20 bar) | 3/8" ID x 50 ft | 317803-50 | 1/4"(f) | 3/8"(m) | 317811-2 | 70 lb (32 kg) |

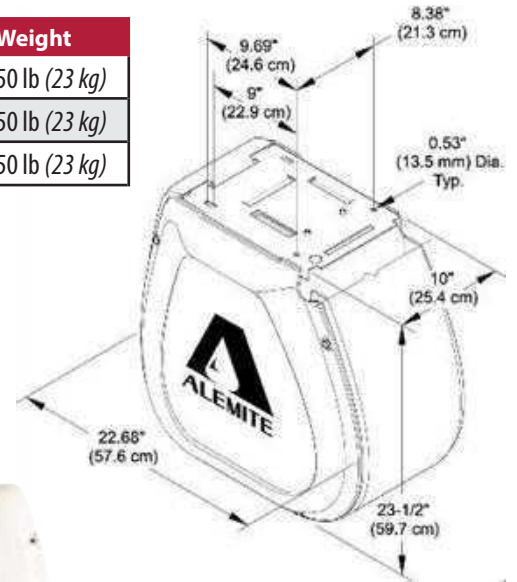
⁽¹⁾ Connecting Hose length is 24" (61 cm)

* ⚠ **WARNING** California Proposition 65: Cancer and reproductive harm. www.P65Warnings.ca.gov

ENCLOSED REELS

Bare Reels

| Product # | Usage | Max Pressure | Reel Inlet | Reel Outlet | Weight |
|-----------|-----------|---------------------|--------------|---------------------|---------------|
| 7335-D | Oil | 1,500 psi (103 bar) | 1/2" NPTF(f) | 1/2" NPTF(f) Swivel | 50 lb (23 kg) |
| 7334-D | Grease | 6,000 psi (413 bar) | 1/2" NPTF(f) | 3/8" NPTF(f) Swivel | 50 lb (23 kg) |
| 7336-D | Air/Water | 300 psi (20 bar) | 1/2" NPTF(f) | 3/8" NPTF(f) | 50 lb (23 kg) |



Cabinets

| Product # | Description | Weight |
|-----------|--|-------------------|
| 7331 | Enclosure Kit for 1 enclosed hose reel | 10.5 lb (4.75 kg) |
| 339371 | End panels for 1 bank of enclosed hose reels | 5.4 lb (2.45 kg) |
| 339368 | Strut for single reel installation | 0.5 lb (0.23 kg) |



7331



339371

IMPORTANT

When ordering enclosed reels, the cabinets and panels must be ordered separately as shown in the Cabinets table above. Order a separate cabinet for each reel. The reel product number only includes the reel and hose specified. It does not include the cabinet or panels.

WELDING REELS

Alemite Oxygen/Acetylene Reels are designed to safely handle volatile elements and to improve the safety of your welding or cutting operation with efficient, neat handling and storage of loose hose.

FEATURES:

- Superior Performance – Swivel and reel ball bearings reduce torque load on power spring for smooth retraction every time
- Anti-Lockout Design – Ratchet prevents lockup when hose is fully extended, eliminating the need to manually release the pawl at the reel
- Corrosion Resistant – Sealed bearings prevent contamination and minimize maintenance, a critical performance factor in dirty environments
- Easy Installation and Maintenance – Factory lubricated one piece power spring cassette makes installation and maintenance safe and easy
- Durable – Heavy metal arbor design withstands extreme stress and eliminates breakage associated with non-metal and light weight metal arbors
- Adjustable and Versatile – 5 position guide arm allows hose to release at an optimum position, narrow design allows for efficient use of available space
- Compatibility – Oxygen/Acetylene only
- UL listed



8071-A

Oxygen/Acetylene

| Product # | Delivery Hose | | | Oxy and Ace Inlets | Weight |
|-----------------------|-----------------|-----------|-------------|--------------------|---------------|
| | Specification | Part # | Connections | | |
| 8071-A | 1/4" ID x 30 ft | 339539-30 | 9/16-18"(f) | 1/4" NPTF(f) | 54 lb (24 kg) |
| 8071-B ⁽¹⁾ | 1/4" ID x 50 ft | 339539-50 | 9/16-18"(f) | 1/4" NPTF(f) | 56 lb (25 kg) |
| 8071-D ⁽²⁾ | 1/4" ID x 50 ft | 339539-50 | 9/16-18"(f) | 1/4" NPTF(f) | 57 lb (26 kg) |

⁽¹⁾Heavy-duty reel (7338-B) for indoor applications

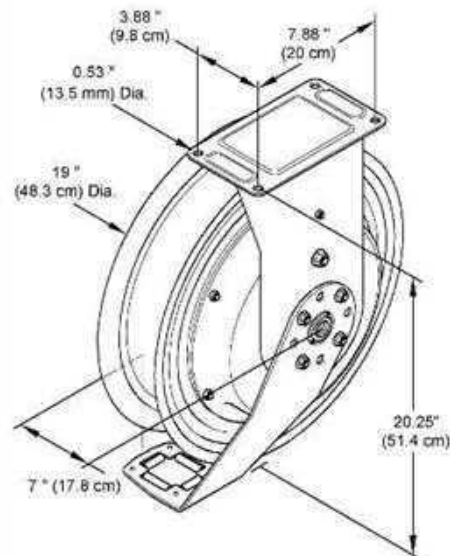
⁽²⁾Severe-duty reel (7338-C) for mobile truck and outdoor applications

Bare Reels

| Product # | Color | Reel Inlets | Hose Connections | Weight |
|-----------------------|--------|--------------|------------------|---------------|
| 7338-B ⁽¹⁾ | Maroon | 1/4" NPTF(f) | 9/16-18"(f) | 44 lb (20 kg) |
| 7338-C ⁽²⁾ | Maroon | 1/4" NPTF(f) | 9/16-18"(f) | 50 lb (23 kg) |

⁽¹⁾Heavy-duty reel for indoor applications

⁽²⁾Severe-duty reel for mobile truck and outdoor applications



HYDRAULIC POWER REELS

Alemite's Twin Hose Hydraulic Power Reels are constructed to the same high quality standards as all of our reels. Our reels feature rigid construction, sealed design, and high volume capacity, making them the ideal choice for a variety of rugged outdoor uses. Applications include hydraulic cylinders, tools, and equipment.

FEATURES:

- Sealed spring cassette protects the power spring from corrosion caused by water and dirt
- Sealed rollers eliminate contamination that can bind the hose guide rollers
- Superior bearing performance reduces torque load on power spring for smooth retraction and durability
- Outlet port swivel nut facilitates installation of twin hose
- High-volume capacity flow passage reduces fill rate time and improves efficiency
- **Model 7374 / 8081-H:** Adjustable arm allows for mounting on a floor, ceiling, or wall; Narrow width allows for more reels to be mounted along a truck bed
- **Models 7343 / 7344** Double arm provides extra support for a larger hose during use; Four-corner bolthole pattern on the outside of base provides extra stability

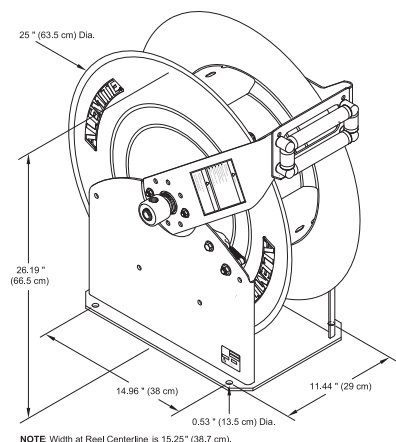
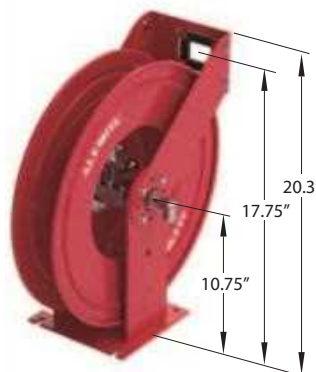


Twin Hose Reels

| Product # | Description | Color | Max Pressure | Outlet | Reel Inlet | Weight |
|-----------|---|--------|---------------------|---------------------|------------|------------------|
| 8081-H | Double-Post Twin Hose Reel with 3/8" x 30 ft hose | Maroon | 3,000 psi (207 bar) | 3/8" NPTF (m) | 3/8" NPSM | 75 lb (34 kg) |
| 7374 | Bare twin-hose reel | Maroon | 3,000 psi (207 bar) | 3/8" NPTF (m) | 3/8" NPSM | |
| 343682-30 | 3/8" ID x 30 ft twin hose | | 3,000 psi (207 bar) | 3/8" NPTF (m) | 3/8" NPSM | |
| 340528-2 | Union | | | | | |
| 7343 | Bare twin-hose reel | Maroon | 300 psi (20 bar) | 3/8" NPSM(f) Swivel | 3/8" NPTF | 120 lb (54.4 kg) |
| 7344 | Bare twin-hose reel | Maroon | 300 psi (20 bar) | 1/2" NPSM(f) Swivel | 1/2" NPTF | 120 lb (54.4 kg) |



Part# 7374 Bare reel



Part# 7343/7344 Bare reel

DEF (DIESEL EXHAUST FLUID) HOSE REELS

Alemite's heavy duty hose reels deliver Diesel Exhaust Fluid (AUS32, Aqueous Urea Solution) in two reel capacities—30 - 50 ft (9.1 - 15.2 m). Specifically designed for DEF systems, the reels are engineered to perform better, last longer and are safer to maintain and operate. Reels can be mounted overhead, on a wall, floor or tank.

FEATURES:

- Easily adjustable guide arm
- Spring powered and self-retracting
- Ratchet type latch
- Gasket-sealed spring case
- Durable powder coat finish
- Balanced-pressure swivel
- Stainless steel shaft and swivel sealed with FKM o-rings
- Heavy-gauge steel construction
- Adjustable hose stop



8072-B

INCLUDED ITEMS

- Delivery Hose
- Hose Stop

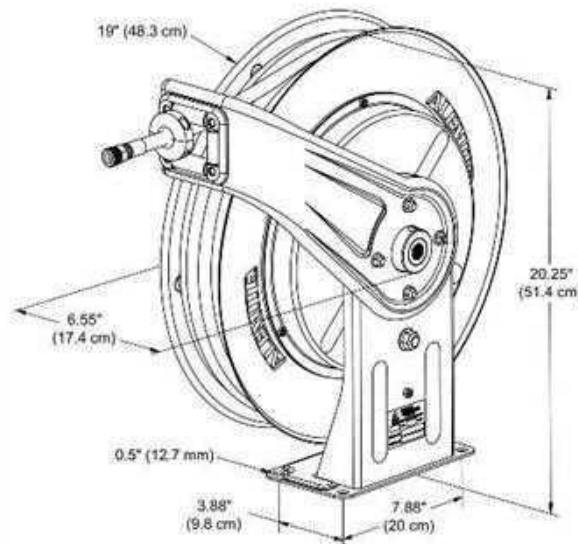
RELATED PRODUCTS

- 2 ft. (0.6 m) connecting DEF Hose (343143-2)
- Stainless Steel 1/2" (13 mm) BSPP female x 3/4" (19.1 mm) BSPP male adapter (343196)
- 30 ft. (9 m) DEF Hose Assembly (393539-157)
- 50 ft. (15 m) DEF Hose Assembly (393539-158)

DEF Hose Reels

| Product # | Color | Max Pressure | Delivery Hose | | | Reel Inlet | Weight |
|-----------|--------|------------------|-----------------|------------|-----------|------------|---------------|
| | | | Specification | Part # | Outlet | | |
| 8072-B* | Maroon | 300 psi (20 bar) | 1/2" ID x 50 ft | 393539-158 | 1/2" BSPP | 1/2" BSPP | 50 lb (23 kg) |

* Model 8072-B can replace model 8072-A, which is obsolete



POWER & LIGHT REELS

Power Cord Reels

Alemite Light and Electric Cord reels keep your cords within reach, but safely out of the way, to improve safety, convenience and productivity. NOTE: Power cord reels are not weatherproof.



7261

| Product # | Cord Size | Connection Cord Length | Reel Cord Length | Volts | Amperes | Outlet | Weight |
|-----------|-----------|------------------------|------------------|-------|---------|------------------|---------------|
| 7260 | 12 gauge | 5 ft (1.5 m) | 45 ft (13.7 m) | 115 V | 20 amp | Duplex with GFCI | 30 lb (14 kg) |
| 7261 | 10 gauge | 5 ft (1.5 m) | 50 ft (15 m) | 115 V | 35 amp | RV Plug | 47 lb (21 kg) |
| 7262-A | 12 gauge | 5 ft (1.5 m) | 40 ft (12 m) | 115 V | 15 amp | Triple | 15 lb (7 kg) |

SPECIALTY REELS

Air/Water - Economy Reels

FEATURES:

- Polyurethane delivery hose
- Spring-driven retractable hose
- Mounting bracket pivots for ease of use
- Includes hose stop, inlet and outlet hose, and low pressure swivel assembly
- Compatibility – Water, washer fluids, antifreeze



8051-1

| Product # | Inside Diameter | Max Pressure | Length | Thread Size | | Reel Port | | Temperature Range |
|-----------|-----------------|------------------|--------------|-------------|-------------|--------------|-------------|-------------------------------|
| | | | | Inlet | Outlet | Inlet Swivel | Outlet | |
| 8051-1 | 5/16" | 218 psi (15 bar) | 52 ft (16 m) | 1/4" NPT(f) | 1/4" NPT(m) | 3/8" NPT(f) | 1/4" NPT(m) | 23 to 104 °F (-5 to 40 °C) |

HOSE REEL ACCESSORIES

Reel Mounting System

Alemite's Reel Mounting System is designed for use with our popular Heavy-Duty Hose Reels. The system utilizes a channel and bracket for safe, convenient and easy installation.

FEATURES:

- Reel slides and locks into preinstalled bracket
- Painted black steel channel and bracket
- Channel has welded nuts for easier mounting and time savings
- Each reel requires one bracket
- Components sold separately or in kits with hardware included
- Compatible with Alemite open and enclosed reel
- Bracket interchangeable with competitive systems

Each reel requires one bracket, up to six reels per channel



343677⁽¹⁾

System Components (Sold Separately)⁽¹⁾

| Product # | Description | Overall Length |
|-----------|-----------------------------|------------------|
| 343670-1 | Reel Mount Channel, 1 Reel | 10.04" (255 mm) |
| 343670-2 | Reel Mount Channel, 2 Reels | 20.08" (510 mm) |
| 343670-3 | Reel Mount Channel, 3 Reels | 30.12" (765 mm) |
| 343670-4 | Reel Mount Channel, 4 Reels | 40.16" (1020 mm) |
| 343670-5 | Reel Mount Channel, 5 Reels | 50.20" (1275 mm) |
| 343670-6 | Reel Mount Channel, 6 Reels | 60.24" (1530 mm) |
| 343665 | Reel Mount Plate, HD Series | — |

⁽¹⁾ Reels are not included.



343672⁽¹⁾

Kits include channel, bracket(s), and bracket to channel installation hardware

Painted black steel channel and bracket



343670-5



343670-1

Bracket for open reels



343665

Reel Mounting Kits⁽¹⁾

| Product # | Description |
|-----------|----------------------------|
| 343672 | Reel Mounting Kit, 1 Reel |
| 343673 | Reel Mounting Kit, 2 Reels |
| 343674 | Reel Mounting Kit, 3 Reels |
| 343675 | Reel Mounting Kit, 4 Reels |
| 343676 | Reel Mounting Kit, 5 Reels |
| 343677 | Reel Mounting Kit, 6 Reels |

⁽¹⁾ Kits include channel, bracket(s), and bracket to channel installation hardware. Reels are not included.

HOSE REEL ACCESSORIES

Reel Mount Adapter

The Alemite reel mount adapter converts the mounting hole pattern of the Lincoln reel to accept an equivalent Alemite reel, facilitating the replacement of Lincoln heavy-duty fluid (LFR) reels with Alemite heavy-duty or severe-duty reels.

FEATURES:

- Installs in place of Lincoln 94000 series LFR reel
- Alemite heavy-duty and severe-duty reels install direct to adapter
- Holds replacement reel secure while hardware is installed
- Formed from heavy-gauge steel

| Product # | Description | Size (L x W xH) | Weight |
|-----------|--------------------|--|-----------------|
| 343662 | Reel mount adapter | 12.8" x 6.9" x 2.1" (32.5 x 17.5 x 5.3) | 5.5 lb (2.5 kg) |



HOSE REEL ACCESSORIES

Hose Reel Hose Stops

| Product # | Hose ID | Weight |
|-----------|---|----------------|
| 337437 | .318" to .846" (8 mm to 21.5 mm) | 0.2 lb (90 g) |
| 339538 | .530" (13.5 mm) (twin line) | 0.3 lb (136 g) |
| 339389 | 1.06" to 1.30" (27 mm to 33mm) | 0.3 lb (136 g) |
| 339389-1 | 1.39" to 1.55" (35.3 mm to 39.4 mm) | 0.8 lb (362 g) |
| 339389-2 | 1.06" to 1.38" (27 mm to 35 mm) (fuel hose) | 0.8 lb (362 g) |



337437

Swivels

| Product # | Usage | Thread | Type | PSI Rating | Weight |
|-----------|--------|-----------------------|----------|----------------------|----------------|
| B52750 | Grease | 1/4" NPTF x 1/2"-27 | Straight | 10,000 psi (690 bar) | 0.3 lb (136 g) |
| B52751 | Grease | 1/4" NPTF x 1/2"-27 | 90° | 10,000 psi (690 bar) | 0.6 lb (272 g) |
| B52752 | Grease | 1/4" NPTF x 1/2"-27 | Z-Type | 10,000 psi (690 bar) | 1.0 lb (453 g) |
| 54730 | Grease | 1/8" NPTF x 1/8" NPTF | Straight | 10,000 psi (690 bar) | 0.3 lb (136 g) |
| 54732 | Grease | 1/8" NPTF x 1/8" NPTF | Z-Type | 10,000 psi (690 bar) | 0.9 lb (408 g) |
| B321320 | Grease | 1/4" NPTF x 1/4" NPTF | Straight | 10,000 psi (690 bar) | 0.3 lb (136 g) |
| B331107 | Grease | 1/4" NPTF x 1/4" NPTF | Z-Type | 10,000 psi (690 bar) | 1.0 lb (453 g) |
| 51543 | Grease | 1/2" NPTF x 3/8" NPTF | Z-Type | 10,000 psi (690 bar) | 1.4 lb (634 g) |



B52751



B321320



B331107

Additional Accessories

| Product # | Description |
|-----------|-------------|
| 301980 | Swivel |
| 306586 | Tire Gauge |
| 51219 | Swivel |



306586



301980

HOSE REEL ACCESSORIES

Oil Hoses

| Product # | Length | Coupling Specification | Hose ID | Working Pressure | Burst Pressure | Weight |
|-----------|----------------|-----------------------------|---------|---------------------|---------------------|------------------|
| 317813-2 | 2 ft (0.61 m) | 1/2" NPTF(m) x 1/2" NPTF(m) | 1/2" | 2,000 psi (138 bar) | 8,000 psi (550 bar) | 1 lb (0.5 kg) |
| 317813-5 | 5 ft (1.5 m) | 1/2" NPTF(m) x 1/2" NPTF(m) | 1/2" | 2,000 psi (138 bar) | 8,000 psi (550 bar) | 1.9 lb (0.9 kg) |
| 317813-5F | 5.5 ft (1.7 m) | 1/2" NPTF(m) x 1/2" NPTF(m) | 1/2" | 2,000 psi (138 bar) | 8,000 psi (550 bar) | 1.9 lb (0.9 kg) |
| 317813-7 | 7 ft (2.1 m) | 1/2" NPTF(m) x 1/2" NPTF(m) | 1/2" | 2,000 psi (138 bar) | 8,000 psi (550 bar) | 2.4 lb (1.1 kg) |
| 317813-15 | 15 ft (4.6 m) | 1/2" NPTF(m) x 1/2" NPTF(m) | 1/2" | 2,000 psi (138 bar) | 8,000 psi (550 bar) | 4.7 lb (2.1 kg) |
| 317813-25 | 25 ft (7.6 m) | 1/2" NPTF(m) x 1/2" NPTF(m) | 1/2" | 2,000 psi (138 bar) | 8,000 psi (550 bar) | 7.4 lb (3.4 kg) |
| 317813-30 | 30 ft (9.1 m) | 1/2" NPTF(m) x 1/2" NPTF(m) | 1/2" | 2,000 psi (138 bar) | 8,000 psi (550 bar) | 8.6 lb (3.9 kg) |
| 317813-50 | 50 ft (15.2 m) | 1/2" NPTF(m) x 1/2" NPTF(m) | 1/2" | 2,000 psi (138 bar) | 8,000 psi (550 bar) | 14.4 lb (6.5 kg) |
| 339684-18 | 18 ft (5.5 m) | 1/2" NPTF(m) x 1/2" NPTF(m) | 1/2" | 2,000 psi (138 bar) | 8,000 psi (550 bar) | 5.2 lb (2.4 kg) |

Grease Hoses

| Product # | Length | Coupling Specification | Hose ID | Working Pressure | Burst Pressure | Weight |
|-----------|----------------|---|---------|---------------------|------------------------|------------------|
| 317870-50 | 50 ft (15.2 m) | 3/8" NPTF(m) x 1/4" NPTF(f) | 3/8" | 6,400 psi (440 bar) | 16,000 psi (1,100 bar) | 9.3 lb (4.3 kg) |
| 317870-70 | 70 ft (21.3 m) | 3/8" NPTF(m) x 1/4" NPTF(f) | 3/8" | 6,400 psi (440 bar) | 16,000 psi (1,100 bar) | 13 lb (5.9 kg) |
| 317870-80 | 80 ft (24.4 m) | 3/8" NPTF(m) x 1/4" NPTF(f) | 3/8" | 6,400 psi (440 bar) | 16,000 psi (1,100 bar) | 26.3 lb (12 kg) |
| 317874-30 | 30 ft (9.1 m) | 3/8" NPTF(m) x 1/4" NPTF(f) | 1/4" | 8,000 psi (550 bar) | 20,000 psi (1,375 bar) | 7 lb (3.2 kg) |
| 317874-50 | 50 ft (15.2 m) | 3/8" NPTF(m) x 1/4" NPTF(f) | 1/4" | 8,000 psi (550 bar) | 20,000 psi (1,375 bar) | 12 lb (5.5 kg) |
| 317875-1F | 1.5 ft (0.5 m) | 1/2"-27 NS Taper(f) x 1/2"-27 NS Taper(f) | 1/4" | 8,000 psi (550 bar) | 20,000 psi (1,375 bar) | 0.6 lb (0.3 kg) |
| 317875-7 | 7 ft (2.1 m) | 1/2"-27 NS Taper(f) x 1/2"-27 NS Taper(f) | 1/4" | 8,000 psi (550 bar) | 20,000 psi (1,375 bar) | 2 lb (1 kg) |
| 317875-10 | 10 ft (3 m) | 1/2"-27 NS Taper(f) x 1/2"-27 NS Taper(f) | 1/4" | 8,000 psi (550 bar) | 20,000 psi (1,375 bar) | 2.6 lb (1.2 kg) |
| 317875-14 | 14 ft (4.3 m) | 1/2"-27 NS Taper(f) x 1/2"-27 NS Taper(f) | 1/4" | 8,000 psi (550 bar) | 20,000 psi (1,375 bar) | 3.8 lb (1.8 kg) |
| 317875-20 | 20 ft (6.1 m) | 1/2"-27 NS Taper(f) x 1/2"-27 NS Taper(f) | 1/4" | 8,000 psi (550 bar) | 20,000 psi (1,375 bar) | 5.4 lb (2.5 kg) |
| 317875-25 | 25 ft (7.6 m) | 1/2"-27 NS Taper(f) x 1/2"-27 NS Taper(f) | 1/4" | 8,000 psi (550 bar) | 20,000 psi (1,375 bar) | 6.5 lb (3 kg) |
| 317875-30 | 30 ft (9.1 m) | 1/2"-27 NS Taper(f) x 1/2"-27 NS Taper(f) | 1/4" | 8,000 psi (550 bar) | 20,000 psi (1,375 bar) | 8 lb (3.7 kg) |
| 317875-40 | 40 ft (12.2 m) | 1/2"-27 NS Taper(f) x 1/2"-27 NS Taper(f) | 1/4" | 8,000 psi (550 bar) | 20,000 psi (1,375 bar) | 9.8 lb (4.5 kg) |
| 317875-50 | 50 ft (15.2 m) | 1/2"-27 NS Taper(f) x 1/2"-27 NS Taper(f) | 1/4" | 8,000 psi (550 bar) | 20,000 psi (1,375 bar) | 13.2 lb (6 kg) |
| 317875-70 | 70 ft (21.3 m) | 1/2"-27 NS Taper(f) x 1/2"-27 NS Taper(f) | 1/4" | 8,000 psi (550 bar) | 20,000 psi (1,375 bar) | 17.7 lb (8.1 kg) |
| 317876-5 | 5 ft (1.5 m) | 3/8" NPTF(m) x 3/8" NPTF(m) | 1/4" | 8,000 psi (550 bar) | 20,000 psi (1,375 bar) | 3 lb (1.4 kg) |
| 317878-10 | 10 ft (3 m) | 1/2"-27 NS Taper(f) x 1/2"-27 NS Taper(f) | 3/8" | 8,000 psi (550 bar) | 20,000 psi (1,375 bar) | 3.8 lb (1.8 kg) |
| 317878-50 | 50 ft (15.2 m) | 1/2"-27 NS Taper(f) x 1/2"-27 NS Taper(f) | 3/8" | 6,400 psi (440 bar) | 16,000 psi (1,100 bar) | 18 lb (8.2 kg) |
| 317882-7 | 7 ft (2.1 m) | 3/8" NPTF(m) x 3/8" NPTF(m) | 3/8" | 6,400 psi (440 bar) | 16,000 psi (1,100 bar) | 2.9 lb (1.4 kg) |

HOSE REEL ACCESSORIES

Air/Water Hoses

| Product # | Length | Coupling Specification | Hose ID | Working Pressure | Burst Pressure | Weight |
|------------|----------------|-----------------------------|---------|------------------|------------------|------------------|
| 317803-3* | 3 ft (0.9 m) | 1/4" NPTF(m) x 1/4" NPTF(m) | 3/8" | 300 psi (20 bar) | 800 psi (55 bar) | 0.7 lb (0.4 kg) |
| 317803-7* | 7 ft (2.1 m) | 1/4" NPTF(m) x 1/4" NPTF(m) | 3/8" | 300 psi (20 bar) | 800 psi (55 bar) | 1 lb (0.5 kg) |
| 317803-25* | 25 ft (7.6 m) | 1/4" NPTF(m) x 1/4" NPTF(m) | 3/8" | 300 psi (20 bar) | 800 psi (55 bar) | 3.2 lb (1.5 kg) |
| 317803-30* | 30 ft (9.1 m) | 1/4" NPTF(m) x 1/4" NPTF(m) | 3/8" | 300 psi (20 bar) | 800 psi (55 bar) | 4.1 lb (1.9 kg) |
| 317803-40* | 40 ft (12.2 m) | 1/4" NPTF(m) x 1/4" NPTF(m) | 3/8" | 300 psi (20 bar) | 800 psi (55 bar) | 5.4 lb (2.5 kg) |
| 317803-50* | 50 ft (15.2 m) | 1/4" NPTF(m) x 1/4" NPTF(m) | 3/8" | 300 psi (20 bar) | 800 psi (55 bar) | 8.9 lb (4.1 kg) |
| 317807-5F* | 5.5 ft (1.7 m) | 3/8" NPTF(m) x 1/4" NPTF(m) | 1/2" | 300 psi (20 bar) | 800 psi (55 bar) | 1.6 lb (0.8 kg) |
| 317809-5F* | 5.5 ft (1.7 m) | 1/2" NPTF(m) x 1/4" NPTF(f) | 1/2" | 300 psi (20 bar) | 800 psi (55 bar) | 1.6 lb (0.8 kg) |
| 317811-5* | 5 ft (1.5 m) | 1/2" NPTF(m) x 1/2" NPTF(m) | 1/2" | 300 psi (20 bar) | 800 psi (55 bar) | 1.3 lb (0.6 kg) |
| 317811-50* | 50 ft (15.2 m) | 1/2" NPTF(m) x 1/2" NPTF(m) | 1/2" | 300 psi (20 bar) | 800 psi (55 bar) | 10 lb (4.6 kg) |
| 317811-80* | 80 ft (24.4 m) | 1/2" NPTF(m) x 1/2" NPTF(m) | 1/2" | 300 psi (20 bar) | 800 psi (55 bar) | 20.4 lb (9.3 kg) |

⚠ **WARNING** California Proposition 65: Cancer and reproductive harm. www.P65Warnings.ca.gov

*

Fuel Hoses

| Product # | Length | Coupling Specification | Hose ID | Working Pressure | Burst Pressure | Weight |
|-----------|----------------|-----------------------------|---------|---------------------|---------------------|-------------------|
| 317868-30 | 30 ft (9.1 m) | 3/4" NPTF(m) x 3/4" NPTF(m) | 3/4" | 1,500 psi (103 bar) | 5,000 psi (345 bar) | 14 lb (6.3 kg) |
| 317869-50 | 50 ft (15.2 m) | 1" NPTF(m) x 1" NPTF(m) | 1" | 1,000 psi (69 bar) | 4,000 psi (276 bar) | 32.6 lb (14.8 kg) |

Welding Hoses

| Product # | Length | Coupling Specification | Hose ID | Working Pressure |
|-----------|----------------|------------------------|-----------|------------------|
| 339539-50 | 50 ft (15.2 m) | 9/16"-18(f) | 1/4" Twin | 200 psi (14 bar) |

CONTROL VALVES AND METERS



- ▶ Meters
- ▶ High Volume
- ▶ Control Valves
- ▶ Miscellaneous
- ▶ Lube Dispensing Stations
- ▶ Accessories

Alemite Control Valves and Meters offer consistent, reliable and accurate dispensing of fluids. Each item offers a proven, ergonomic design for simple and comfortable use. They can be used to dispense oil, grease, automatic transmission fluid, and other petroleum based products.

METERS

Alemite Electronic and Mechanical Meters provide consistent, reliable performance for dispensing applications.

Electronic

The versatile Alemite Electronic Meter is designed for accurate, high volume dispensing of a wide range of fluids.

FEATURES:

- Electronic digital readout ($\pm 1\%$ accuracy)
- Ergonomic trigger design for easy dispensing
- Rubber guard to protect meter from damage
- Programmable to measure in pints, quarts, gallons or liters
- Displays current fluid delivery, and registers total amount of fluid used
- Easy to calibrate – no disassembly required
- Uses 2 standard AAA batteries, replaceable with a coin screw on back of meter
- Low battery indicator
- $\frac{1}{2}$ " NPT(f) Inlet
- Fluid compatibility: oil, gear oil, transmission fluid, antifreeze - antifreeze concentrate only, not compatible with water/antifreeze mixture



3670-B

| Product # | Description | Measures | Totalizes | Extension | Non-drip tip | Weight |
|-----------|--------------------------|----------|-----------|-----------|--------------------|------------------|
| 3670 | Electronic meter | Quart | Gallon | Rigid | Automatic | 3 lb (1.4 kg) |
| 3670-B | Electronic meter | Quart | Gallon | Rigid | Manual | 3 lb (1.4 kg) |
| 3671 | Electronic meter | Quart | Gallon | Flexible | Automatic | 3 lb (1.4 kg) |
| 3671-B | Electronic meter | Quart | Gallon | Flexible | Manual | 3 lb (1.4 kg) |
| 3673 | Electronic meter | Pint | Gallon | Rigid | Automatic | 3 lb (1.4 kg) |
| 3674-C | Electronic meter | Gallon | Gallon | Rigid | High-volume manual | 3 lb (1.4 kg) |
| 3679 | In-line electronic meter | Quart | Gallon | – | – | 0.83 lb (0.4 kg) |

CONTROL VALVES AND METERS

METERS

Electronic Preset

Alemite's Electronic Preset Meter provides for fluid dispensing with the accuracy of electronic sensing.

FEATURES:

- Oval gear meter design for high count precision and low flow resistance
- Automatically shuts off when the preset fluid amount has been dispensed
- Emergency manual shut off and manual mode for "topping off"
- Customizable features include automatic reset of batch total, calibration, and precision stopping calibration
- Stores up to 6 preset quantities, plus last quantity
- 7 digit accumulative totalizer provides total for life of the meter
- Extension has 5 pre-set positions within a 75 degree range for easy dispensing. Locking extension can only be moved by pushing the safety release button
- 1/2" NPT(f) Inlet
- Uses 4 standard AA batteries
- Low battery indicator
- Fluid compatibility: oil, gear oil, transmission fluid, antifreeze - antifreeze concentrate only, not compatible with water/antifreeze mixture



3640-3

| Product # | Description | Measures | Totalizes | Extension | Non-drip tip | Weight |
|-----------|-------------------------|----------------------------|---------------|-----------|-----------------------|---------------|
| 3640-3 | Electronic preset meter | Quart, Pint, Gallon, Liter | Gallon, Liter | Rigid | Automatic | 3 lb (1.4 kg) |
| 3641-3 | Electronic preset meter | Quart, Pint, Gallon, Liter | Gallon, Liter | Flexible | Automatic | 3 lb (1.4 kg) |
| 3643-3 | Electronic preset meter | Quart, Pint, Gallon, Liter | Gallon, Liter | Rigid | Automatic/Manual lock | 3 lb (1.4 kg) |
| 3644-C3 | Electronic preset meter | Quart, Pint, Gallon, Liter | Gallon, Liter | Rigid | Manual high volume | 3 lb (1.4 kg) |
| 3645-C3 | Electronic preset meter | Quart, Pint, Gallon, Liter | Gallon, Liter | Flexible | Manual high volume | 3 lb (1.4 kg) |

METERS

Electronic Grease

The Alemite Electronic Grease Meter works with virtually any type of grease dispensing valve or grease gun. This in-line meter provides accurate and reliable grease delivery, optimizing lubrication consumption while ensuring components receive appropriate lubrication.

FEATURES:

- Resettable, easy to read LCD indicates batch and cumulative totals
- Oval gear technology
- Accurately displays amount of grease dispensed, allowing user to deliver required lubrication
- Decreases lubricant waste
- Accuracy: +/- 3%

REQUIRES ADAPTER KIT

- Battery Powered Gun Kit: 340062
- 500 Series Manual Gun Kit: 41531
- 6320-3 Control Valve Kit: 327899-3
- 6243-J3 and 6679-J3 Gun Kit: 306722



3530

| Product # | Max Operating Pressure | Flow Rate (per minute) | Thread Sizes | Battery | Unit of Measure | Weight |
|-----------|------------------------|------------------------------|-------------------------|-----------------|-----------------|-----------------|
| 3530 | 10,000 psi (700 bar) | 0.2 - 5.5 lb (0.09 - 2.5 kg) | 1/8" NPTF(f) in and out | 2 x 1.5V Size N | Ounce, Pound | 1.2 lb (0.5 kg) |
| 3530-A | 10,000 psi (700 bar) | 0.2 - 5.5 lb (0.09 - 2.5 kg) | 1/8" NPTF(f) in and out | 2 x 1.5V Size N | Gram, Kilogram | 1.2 lb (0.5 kg) |
| 3530-B | 10,000 psi (700 bar) | 0.4 - 11 lb (0.18 - 5 kg) | 1/4" NPTF(f) in and out | 2 x 1.5V Size N | Ounce, Pound | 1.2 lb (0.5 kg) |
| 3530-C | 10,000 psi (700 bar) | 0.4 - 11 lb (0.18 - 5 kg) | 1/4" NPTF(f) in and out | 2 x 1.5V Size N | Gram, Kilogram | 1.2 lb (0.5 kg) |

CONTROL VALVES AND METERS

METERS

Mechanical

Alemite Mechanical Meters feature a classic dial design to accurately measure and totalize fluids dispensed.

FEATURES:

- Large, easy to read dial face
- Totalizer keeps lifetime record of fluid dispensed
- Includes internal filter screen to prevent contaminants from entering the meter
- 1,000 psi (69 bar) maximum operating pressure
- Fluid compatibility – Oil, gear oil, ATF
- ½" NPT(f) Inlet



3685-F

| Product # | Dial Registers | Fluids | Odometer Registers | Dial Range | Extension | Non-Drip Tip | Weight |
|-----------|----------------|--------|--------------------|--------------|-----------|--------------|---------------|
| 3685-A | Liter | Oil | Liter | Liter (0-10) | Flexible | Automatic | 5 lb (2.3 kg) |
| 3685-B | Quart | Oil | Gallon | Quart (0-16) | Rigid | Automatic | 5 lb (2.3 kg) |
| 3685-F | Quart | Oil | Gallon | Quart (0-16) | Flexible | Manual | 5 lb (2.3 kg) |
| 3685-G | Quart | Oil | Quart | Quart (0-16) | Flexible | Manual | 5 lb (2.3 kg) |
| 3685-M | Quart | Oil | Liter | Liter (0-10) | Rigid | Automatic | 5 lb (2.3 kg) |
| 3686-B | Quart | ATF | Gallon | Quart (0-16) | Flexible | Automatic | 5 lb (2.3 kg) |

METERS

Mechanical Preset

Alemite Mechanical Preset Meters feature a classic dial design to accurately measure and totalize fluid dispensed, where automatic fill capability is important.

FEATURES:

- Large, easy to read dial face
- Meter automatically shuts off when preset amount has been dispensed
- Latch control permits shut off during operation
- 1,000 psi (69 bar) maximum operating pressure
- Non-drip nozzle included
- Fluid compatibility – Oil, gear oil, ATF
- Valve inlet: ½" NPTF(f) with swivel



3690-C

| Product # | Dial Registers | Fluids | Odometer Registers | Dial Range | Extension | Non-Drip Tip | Weight |
|-----------|----------------|--------------------------|--------------------|---------------|-----------|--------------------|-----------------|
| 3690-C | Quart | Gear oil, motor oil, ATF | Gallon | Quart (0-60) | Rigid | Manual high volume | 5.1 lb (2.3 kg) |
| 3691-C | Gallon | Gear oil, motor oil, ATF | Gallon | Gallon (0-15) | Rigid | Manual high volume | 5.1 lb (2.3 kg) |
| 3692-C | Quart | Antifreeze | Quart | Quart (0-60) | Rigid | Manual high volume | 5.1 lb (2.3 kg) |
| 3693-C | Liter | Gear oil, motor oil, ATF | Liter | Liter (0-60) | Rigid | Manual high volume | 5.1 lb (2.3 kg) |
| 3696-C | Quart | Gear oil, motor oil, ATF | Quart | Quart (0-16) | Rigid | Manual high volume | 5.1 lb (2.3 kg) |

CONTROL VALVES AND METERS

METERS

Odometer-Style Mechanical Meters

The Alemite 3575 Series of mechanical meters is suitable for indoor or outdoor fluid dispensing applications. The meters feature an odometer-style display. The lightweight mechanical meters have a non-resettable totalizer that enables tracking of product usage over time.

FEATURES:

- Adapter for connecting extension in 90-degree configuration
- 6-digit accumulative totalizer; plus 4-digit resettable batch totalizer with push-button reset
- Automatic non-drip nozzle with thermal expansion piston to prevent drips
- Oval gear mechanism for optimum accuracy across a broad range of viscosities
- Trigger lock for hands-free dispensing
- Lever guard



3575-C

| Product # | Dial Registers | Fluids ⁽¹⁾ | Flow Rate | Swivel Inlet | Extension Type | Maximum Working Pressure | Weight |
|-----------|----------------|--|--------------------|--------------|----------------|--------------------------|-----------------|
| 3575-C | Liter | Oils up to SAE 140, ATFs, gear oils and ready-to-use engine coolants | 1 to 30 liter/min. | 1/2" | Rigid | 1,500 psi (103.5 bar) | 2.6 lb (1.2 kg) |

* Please note: the 3575 series is becoming obsolete. Model 3575-C is still available until it is sold out. The other models are already sold out. There is no direct replacement.

HIGH VOLUME

Alemite High Volume Control Valves and Meters will transfer fluids at very high flow rates of up to 30 gallons (80 liters) per minute and with operating pressures up to 1,500 psi (103 bar) and 1,000 psi (70 bar) with meter. The rugged metal construction is designed to handle tough work environments.

3/4" Control Valves

FEATURES:

- Available with flexible or rigid extension
- Nozzle tip with automatic on/manual off
- 3/4" NPTF(f) inlet, with swivel
- Lever locking handle
- Lever guard
- Operating temperature - 22 to 122 °F (-5 to 50 °C)



3572-A



3572-B

| Product # | Description | Rate (per minute) | Fluids | Extension | Non-Drip Tip | Weight |
|-----------|----------------------------|----------------------|--------|-----------|----------------|-----------------|
| 3572-A | Control Valve, non-metered | 22 gallon (83 liter) | Oil | Rigid | Semi-Automatic | 4.2 lb (1.9 kg) |
| 3572-B | Control Valve, non-metered | 22 gallon (83 liter) | Oil | Flexible | Semi-Automatic | 4.2 lb (1.9 kg) |

CONTROL VALVES AND METERS

HIGH VOLUME

3/4" Metered Control Valves

FEATURES:

- Available with flexible or rigid extension
- 3/4" NPTF(f) inlet, with swivel
- Lever locking handle
- Lever guard
- Operating temperature -22 to 122 °F (-5 to 50 °C)
- Meter uses 2 AAA batteries



3573-A



3573-B

| Product # | Description | Rate (per minute) | Fluids | Measures | Totalizes | Extension | Non-Drip Tip | Battery | Weight |
|-----------|-----------------------------------|----------------------|--------|----------------------------|-----------------|-----------|-------------------------------|---------|-----------------|
| 3573-A | Control Valve w/ Electronic Meter | 16 gallon (60 liter) | Oil | Pint, Quart, Gallon, Liter | Gallons, Liters | Rigid | Semi-Automatic ⁽¹⁾ | 2 x AAA | 6.4 lb (2.9 kg) |
| 3573-B | Control Valve w/ Electronic Meter | 16 gallon (60 liter) | Oil | Pint, Quart, Gallon, Liter | Gallons, Liters | Flexible | Semi-Automatic ⁽¹⁾ | 2 x AAA | 6.6 lb (3.0 kg) |
| 3579 | Electronic Meter, 3/4" NPT(f) | 16 gallon (60 liter) | Oil | Pint, Quart, Gallon, Liter | Gallons, Liters | — | — | 2 x AAA | 1.2 lb (0.5 kg) |

⁽¹⁾ Nozzle tip with automatic on and manual off

CONTROL VALVES

Alemite Control Valves provide consistent, long lasting performance in dispensing oil and other fluids.

High Pressure Grease Valve

Alemite's High Pressure Control Valve provides continuous flow with the trigger fully depressed, and delivers measured, pre-set amounts with the trigger partially depressed.



6320-3

| Product # | Description | Material Inlet | Pressure | Weight |
|-----------|---|----------------|---------------------|-----------------|
| 6320-3 | High Pressure Control Valve | 1/4" NPTF(f) | 7,500 psi (517 bar) | 2.8 lb (1.3 kg) |
| 6320-C | High Pressure Control Valve with flexible hose and 6304-B Large Hydraulic Coupler | 1/4" NPTF(f) | 5,000 psi (344 bar) | 2.8 lb (1.3 kg) |
| 343096 | Whip Hose Conversion Kit for 6320-3 | 1/8" NPTF(m) | 5,000 psi (344 bar) | 1.0 lb (0.5 kg) |

High Volume Grease Valve

The Alemite High Volume Control Valve is designed for medium pressure, high volume use, and is an ideal choice for transferring grease from bulk containers.



6438

| Product # | Description | Material Outlet | Material Inlet | Pressure | Weight |
|-----------|---------------------------|-----------------|----------------|---------------------|-----------------|
| 6438 | High Volume Control Valve | 1/4" NPTF(f) | 3/8" NPTF(f) | 5,000 psi (344 bar) | 2.4 lb (1.1 kg) |

CONTROL VALVES AND METERS

CONTROL VALVES

Oil Valves

Alemite Control Valves for oil and other fluids are available with a variety of nozzles to meet your specific application needs.

FEATURES:

- Ergonomic trigger design for easy operation, reducing operator fatigue
- Locking mechanism to allow free flow dispensing
- Cam piston design for consistent operation
- Push to open trigger prevents inadvertent dispensing of fluid



7498

| Product # | Description | Material Inlet | Extension | Non-Drip Tip | Max Pressure | Min Pressure | Weight |
|-----------|---------------------------|----------------|-----------|---------------------------|---------------------|----------------|-----------------|
| 339100 | Non-metered control valve | 1/2" NPTF(f) | – | – | 1,500 psi (103 bar) | 30 psi (2 bar) | 1.5 lb (0.7 kg) |
| 7492 | Non-metered control valve | 1/2" NPTF(f) | Rigid | Automatic/ Manual lock | 1,500 psi (103 bar) | 30 psi (2 bar) | 2.6 lb (1.1 kg) |
| 7498 | Non-metered control valve | 1/2" NPTF(f) | Rigid | Automatic | 1,500 psi (103 bar) | 60 psi (4 bar) | 2.6 lb (1.1 kg) |
| 7498-A | Non-metered control valve | 1/2" NPTF(f) | Flexible | Automatic | 1,500 psi (103 bar) | 60 psi (4 bar) | 2.6 lb (1.1 kg) |
| 7498-C | High-volume control valve | 1/2" NPTF(f) | Rigid | Manual high volume | 1,500 psi (103 bar) | 30 psi (2 bar) | 2.8 lb (1.3 kg) |
| 7836-C1 | High-volume control valve | 1/2" NPTF(f) | – | – | 2,000 psi (138 bar) | 30 psi (2 bar) | 2.7 lb (1.2 kg) |

MISCELLANEOUS

Non-Drip Nozzles

Alemite Non-Drip Nozzles help prevent drips and spills, for a cleaner, safer work space. The nozzles are available with an automatic shut off, or manual twist lock mechanism.

| Product # | Description | Used with | Thread Sizes |
|-----------|-----------------------------------|--|--------------|
| B339800 | Automatic assembly (blister pack) | 3620 Series, 3621, 3621-A, 3622, 3622-A, 3640 Series, 3641-1, 3686-1, 3686-B, 3670, 3671, 3671-A, 3672, 3673, 7948 | 1/4" NPTF(f) |
| 339084 | Manual | 3620-B, 3621-B, 3641-B1, 3670-B, 3671-B, 3685-J, 3685-F, 3685-G | 1/4" NPTF(f) |
| 340084 | Manual high-volume | 3624-C, 3644-C1, 3674-C, 3691-C, 3690 Series, 7498-C | 1/2" NPTF(f) |

Water Bib (BSWA321)

Alemite's Water Bib manual dispensing valve is suitable for dispensing water, antifreeze, or windshield washer fluid. Inlet size is 1/4" (6 mm).



BSWA321

CONTROL VALVES AND METERS

LUBE DISPENSING STATIONS

Oil Bar and Spigots

Alemite's new oil bar line includes a compact, modular oil bar capable of accommodating up to three spigots. Locking and non-locking spigots are available for use with the unit. A brass flow control valve is offered to control pressure and flow at the spigot, and an optional inline digital meter measures fluid.

FEATURES:

- Steel construction
- Modular design
- 3-spigot capacity
- 2.9 gallon (11 liter) removable reservoir/drain
- Hole knockouts for inline digital meter
- Overall dimensions: 33.39" (85 cm) tall x 19.69" (50 cm) wide x 3.94" (10 cm) deep; 14.36" (36 cm) deep with removable reservoir



343090



343091, 343092 or 343259



343093



3679

| Product # | Description | Outlet | Inlet | Max Pressure | Flow Range (per minute) |
|-----------|---|-------------|--------------------------|---------------------|---------------------------------|
| 343090 | Oil Bar | – | – | – | – |
| 343091-1 | Spigot with Locking Lever, with Hydraulic and Other Medium-Viscosity Oils up to SAE 90 | – | 1/2" NPT(f), 3/4" NPT(m) | 750 psi (52 bar) | – |
| 343092-1 | Spigot with Non-Locking Lever, Compatible with Hydraulic and Other Medium-Viscosity Oils up to SAE 90 | – | 1/2" NPT(f), 3/4" NPT(m) | 750 psi (52 bar) | – |
| 343259 | Spigot with Non-Locking Lever, Compatible with Washer Fluid and Antifreeze | – | 1/2" NPT(f), 3/4" NPT(m) | 750 psi (52 bar) | – |
| 343093 | Flow Control Valve, Brass Construction | 1/2"-14 NPT | 1/2"-14 NPT | 2,000 psi (138 bar) | 15 gallon (56 liter) |
| 3679 | Inline Meter, Registers in Pints, Quarts, Gallons or Liters; Requires Installation Kit #343098 | 1/2" NPTF | 1/2" NPTF | 1,000 psi (69 bar) | .25 to 8 gallon (1 to 30 liter) |
| 343098 | Installation kit, use to connect spigot into inline meter; includes 45° street elbows (2), close nipple, special street elbow | | | | |

ACCESSORIES

Additional Accessories

| Product # | Description |
|-----------|--|
| 301980 | Swivel |
| 306586 | Tire Gauge |
| 317850-1 | 12" Whip Hose |
| 321206 | Low Level Shut Off |
| 340062 | Grease Meter Adapter Kit 575 & 585 to use 3530 Series grease gun |
| 340276 | Swivel Assembly For 7371, 7372 |
| 340741 | Switch, Speed Control |
| 391421 | Air Pressure Gauge |
| 41531 | Male Adapter |
| 42763 | Pipe Coupling |
| 42802 | Pipe Coupling |
| 51219 | Swivel |
| 6067-1 | Hi-Lo Adapter |
| 6239 | Push Type Adapter Use B6239 |
| 6278 | Hydraulic Extension |
| 6783 | Adapter, Bulk Packed |
| 7542 | Hose Assembly |
| A908-A | Hose with Pin Coupler |
| B308730 | Coupler |
| B6304-B | Hydraulic Coupler Blister Pack |
| B6304-C | Hydraulic Coupler Blister Pack |
| B6509-D | Swivel Coupler Blister Pack |
| B6509-E | Swivel Coupler Blister Pack |

Additional Hoses

| Product # | Description | Coupling Specification | Hose ID |
|-------------|--------------|------------------------|--------------------|
| 317811-100* | Hose LP | 1/2" x 1/2"(m) | 1/2" |
| 317813-1 | Hose MP | 1/2" x 1/2" (m) | 1/2" |
| 317813-100 | Hose MP | 1/2" x 1/2"(m) | 1/2" |
| 317813-80 | Hose MP | 1/2" x 1/2" (m) | 1/2" |
| 317860-1 | Hose MP | 1/4" x 1/4" (m) | 1/4" x 12" (30 cm) |
| 317882-2 | Hose HP | 3/8" x 3/8" (m) | 3/8" |
| 317898-5 | Hose suction | 3/4" (m) x 1" (m) | 3/4" |

⚠ WARNING California Proposition 65: Cancer and reproductive harm. www.P65Warnings.ca.gov

*

BULK FLUID PACKAGES



- ▶ Tank Packages
- ▶ Trolley Packages
- ▶ Equipment Packages

Alemite offers a durable line of bulk fluid products, including tank and trolley packages. Designed for customer convenience, these packaged products come complete with all necessary components for efficient and economical bulk fluid handling.

TANK PACKAGES

1300 Series Rectangular Tank Package

FEATURES:

- Ideal for motor oils and hydraulic oils in shops where space is a concern
- UL-listed tank in single- or double-wall construction

PACKAGE INCLUDES:

- 5:1 ratio RAM pump
- Heavy-duty reel with 50-foot delivery hose
- Filter/Regulator
- Rectangular tank with sight gauge
- All necessary connection hoses and hardware
- Package-specific meters:
 - Electronic meter with rigid extension and automatic, non-drip nozzle (3670)
 - Electronic meter with flexible extension and automatic, non-drip nozzle (3671)
 - Mechanical meter with flexible extension and manual nozzle (3685-F)
 - Electronic pre-set meter with rigid extension and high-volume, manual nozzle (3644-C2)



| Product # | Tank Type | Dimensions – LxDxH | Capacity | Pump | Reel | Meter |
|---------------|------------------------|-----------------------|--------------------------|------|--------|---------|
| 1300-50ER | Single-wall/Horizontal | 62" x 24.3" x 52.6" | 300 gallon (1,134 liter) | 5:1 | 8078-D | 3670 |
| 1300-50ER-DW | Double-wall/Horizontal | 65.4" x 26" x 52.9" | 300 gallon (1,134 liter) | 5:1 | 8078-D | 3670 |
| 1300U-50ER | Single-wall/Vertical | 50.3" x 24.3" x 64.4" | 300 gallon (1,134 liter) | 5:1 | 8078-D | 3670 |
| 1300U-50ER-DW | Double-wall/Vertical | 53.5" x 26" x 64.7" | 300 gallon (1,134 liter) | 5:1 | 8078-D | 3670 |
| 1300-50E | Single-wall/Horizontal | 62" x 24.3" x 52.6" | 300 gallon (1,134 liter) | 5:1 | 8078-D | 3671 |
| 1300-50E-DW | Double-wall/Horizontal | 65.4" x 26" x 52.9" | 300 gallon (1,134 liter) | 5:1 | 8078-D | 3671 |
| 1300U-50E | Single-wall/Vertical | 50.3" x 24.3" x 64.4" | 300 gallon (1,134 liter) | 5:1 | 8078-D | 3671 |
| 1300U-50E-DW | Double-wall/Vertical | 53.5" x 26" x 64.7" | 300 gallon (1,134 liter) | 5:1 | 8078-D | 3671 |
| 1300-50Q | Single-wall/Horizontal | 62" x 24.3" x 52.6" | 300 gallon (1,134 liter) | 5:1 | 8078-D | 3685-F |
| 1300-50Q-DW | Double-wall/Horizontal | 65.4" x 26" x 52.9" | 300 gallon (1,134 liter) | 5:1 | 8078-D | 3685-F |
| 1300U-50Q | Single-wall/Vertical | 50.3" x 24.3" x 64.4" | 300 gallon (1,134 liter) | 5:1 | 8078-D | 3685-F |
| 1300U-50Q-DW | Double-wall/Vertical | 53.5" x 26" x 64.7" | 300 gallon (1,134 liter) | 5:1 | 8078-D | 3685-F |
| 1300-50EP | Single-wall/Horizontal | 62" x 24.3" x 52.6" | 300 gallon (1,134 liter) | 5:1 | 8078-D | 3644-C2 |
| 1300-50EP-DW | Double-wall/Horizontal | 65.4" x 26" x 52.9" | 300 gallon (1,134 liter) | 5:1 | 8078-D | 3644-C2 |
| 1300U-50EP | Single-wall/Vertical | 50.3" x 24.3" x 64.4" | 300 gallon (1,134 liter) | 5:1 | 8078-D | 3644-C2 |
| 1300U-50EP-DW | Double-wall/Vertical | 53.5" x 26" x 64.7" | 300 gallon (1,134 liter) | 5:1 | 8078-D | 3644-C2 |

Assembly required on all 1300 Series rectangular tank packages.

NOTE

1300 Series rectangular tank packages for North American continental USA and Canadian sales regions only.

BULK FLUID PACKAGES

TROLLEY PACKAGES

Alemite's premium lube trolley package comes complete with all components needed for portably dispensing oil or grease directly from 55 gallon or 400 pound drums. Featuring a pneumatically operated Alemite pump, durable hose reel and electronic meter for oil or high pressure control valve for grease, these lube trolleys can be used to service a full range of vehicles, as well as industrial and machinery processes.

Premium Lube Trolley Packages

FEATURES:

- Designated space for hose reel
- Pivoting back wheels for easy movement
- Arm extends to hold control valve or meter
- Pivoting handle allows operator to manually move cart or attach it to motorized cart

Oil Package Specifications (343509*)

- 3:1 RAM pump with 338147-4 downtube for 55 gallon drums (9918-A)
- Heavy-duty reel (7335-B)
- Delivery hose (317813-30)
- 5 ft (1.5 m) connecting hose (317813-5)
- Electronic meter with flexible extension measures pints, quarts, gallons or liters (3671)
- Air control with filter/regulator/gauge (7936)
- Lube cart (340341)


343509

Grease Package Specifications (343510*)

- 50:1 RAM pump with cover and follower for 400 pound drums (9979-A)
- Hose reel (7334-B)
- Delivery hose (317874-30)
- 5 ft (1.5 m) connecting hose (317876-5)
- Heavy-duty control valve (6320-3) with universal swivel (B331107)
- Air control with filter/regulator/gauge (7936)
- Lube cart (340341)


343510

* ⚠ WARNING

California Proposition 65:
Cancer and reproductive harm. www.P65Warnings.ca.gov

NOTE

Lube Trolley Packages for North American continental USA and Canadian sales regions only.

EQUIPMENT PACKAGES

For installation on customer supplied tanks and totes.

Tote Mounting Packages

275 Gallon Tote Mounting Package (1450-IBC)

330 Gallon Tote Mounting Package (1460-IBC)

Includes model 9968 RAM 5:1 pump, mounting brackets for reel and pump to attach to steel frame of tote, connector hoses, filter regulator and sight gauge.



(Tote not included;
Reel and meter
sold separately.)

1450-IBC

Tankless Equipment Packages

Tankless Equipment Package - Rigid Meter Extension (343076)

INCLUDES

- RAM 5:1 pump (9968)
- ½" by 50 ft oil reel with 2 ft oil connecting hose (8078-D)
- Electronic meter with rigid extension and auto nozzle (3670)
- ¼" filter/regulator (7936)



9968



8078-D



7936



3670

Tankless Equipment Package - Flexible Meter Extension (343077)

INCLUDES

- RAM 5:1 pump (9968)
- ½" by 50 ft oil reel with 2 ft oil connecting hose (8078-D)
- Electronic meter with flexible extension and auto nozzle (3671)
- ¼" filter/regulator (7936)



9968



8078-D



7936



3671

INDUSTRIAL LUBRICATION FITTINGS



- ▶ P.T.F. SAE short taper pipe thread.
- ▶ N.P.T.F. American National taper pipe thread for dry seal pressure-tight joints.
- ▶ N.P.S.M. American National straight pipe thread for mechanical joints.
- ▶ N.P.S.I. American National straight intermediate pipe thread.

- ▶ Zerk/Drive Fittings
- ▶ Zerk Fittings for Extreme Environments
- ▶ Metric Zerk Fittings
- ▶ Specialty Fittings
- ▶ Vents/Breathers
- ▶ Fitting Assortments
- ▶ Fitting Accessories

The exclusive patented Cold Header Automatic Production System (CHAPS) produces fittings that are stronger, more durable, and easier to use than competitors' products. Improved corrosion and blowout protection exceeds requirements for fittings covered by the SAE J534 (August 2015) standard, including protection from the salt spray test. Alemite's ISO/TS 16949 certified manufacturing attests to a commitment to quality manufacturing.



ZERK FITTINGS

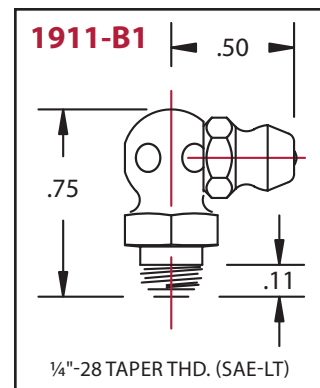
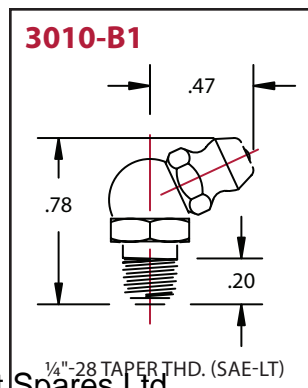
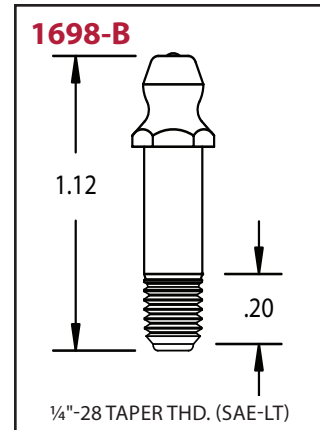
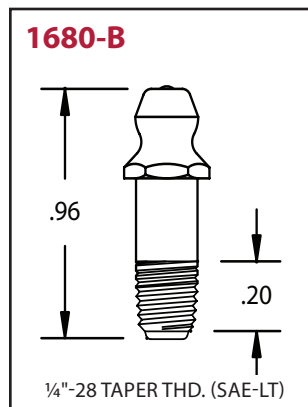
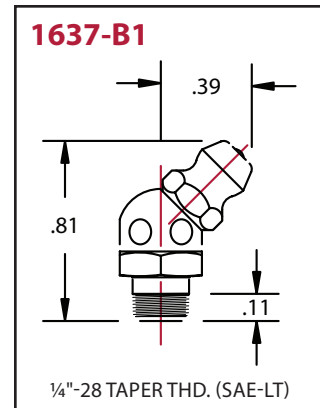
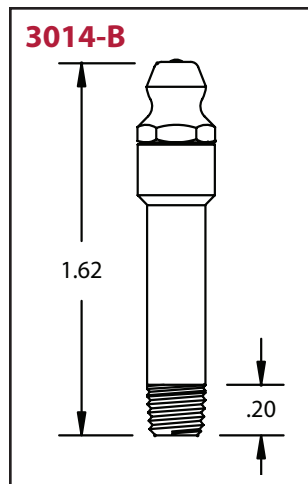
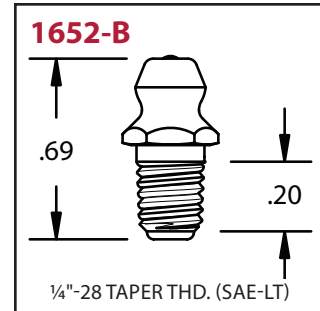
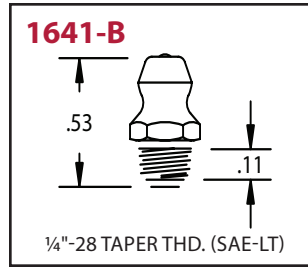
1/4"-28 Taper Thread Fittings

ALEMITE 1/4"-28 Taper Thread Fittings are used on most cars and trucks, as well as many industrial machines. It is recommended that SAE-LT taper threads be assembled into 1/4"-28 UNF, Class 3B, straight threaded holes having a modified maximum minor diameter of 0.2151", to ensure 75% minimum thread height.

FEATURES:

- Meets SAE J534:2015 requirements:
 - 144 hour salt spray base metal protection
 - 96 hour salt spray coating protection
 - 34.5 MPa (5,000 psi) blowout protection
- Dirt excluding check ball
- Trivalent zinc plating
- RoHS compliant

| Product # | Type | Hex Size | Overall Length | Shank Length |
|-----------|----------|----------|----------------|--------------|
| 1641-B | Straight | 5/16" | 35/64" | 3/16" |
| 1652-B | Straight | 5/16" | 11/16" | 23/64" |
| 1680-B | Straight | 5/16" | 31/32" | 5/8" |
| 1698-B | Straight | 5/16" | 1-1/8" | 25/32" |
| 3014-B | Straight | 5/16" | 1-5/8" | 1" |
| 1637-B1 | 45° | 3/8" | 13/16" | 13/64" |
| 3010-B1 | 65° | 3/8" | 25/32" | 19/64" |
| 1911-B1 | 90° | 3/8" | 3/4" | 13/64" |



ZERK FITTINGS

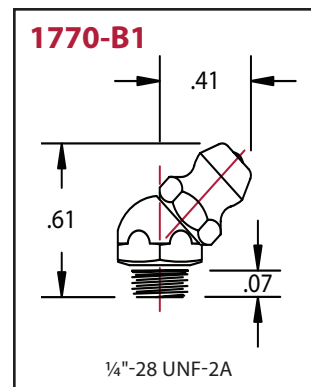
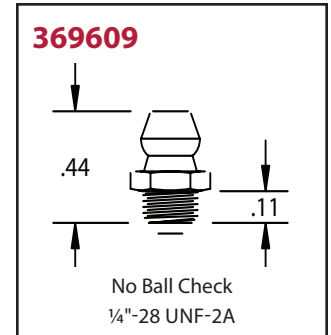
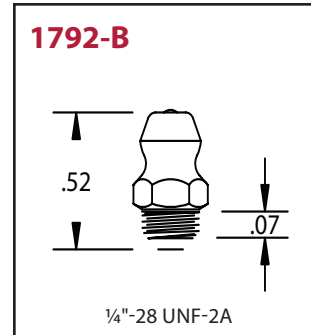
1/4"-28 Straight Thread Fittings

Alemite 1/4"-28 Straight Thread Fittings are used on most cars and trucks, as well as many industrial machines.

FEATURES:

- Meets SAE J534:2015 requirements:
 - 144 hour salt spray base metal protection
 - 96 hour salt spray coating protection
 - 34.5 MPa (5,000 psi) blowout protection
- Dirt excluding check ball
- Trivalent zinc plating
- RoHS compliant

| Product # | Type | Hex Size | Overall Length | Shank Length |
|-----------|----------|----------|----------------|--------------|
| 1792-B | Straight | 9/32" | 33/64" | 5/32" |
| 1770-B1 | 45° | 3/8" | 39/64" | 1/8" |
| 369609 | Straight | 5/16" | 7/16" | 1/8" |



ZERK FITTINGS

1/8" PTF Fittings

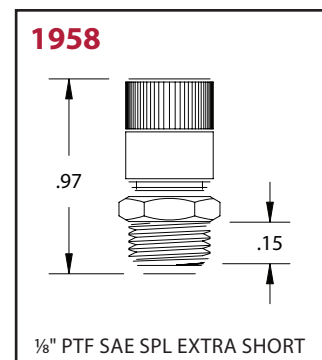
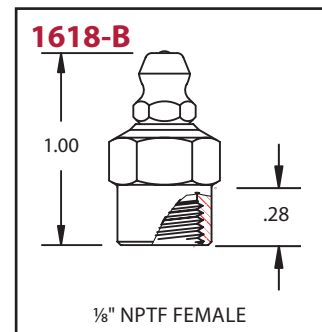
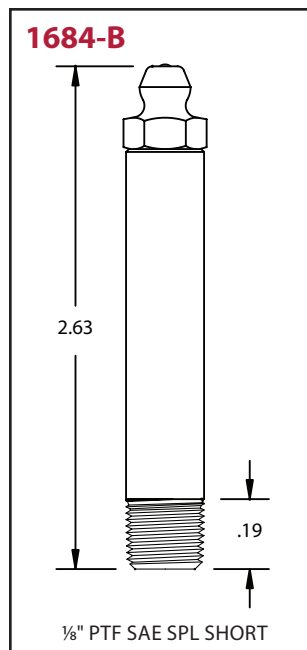
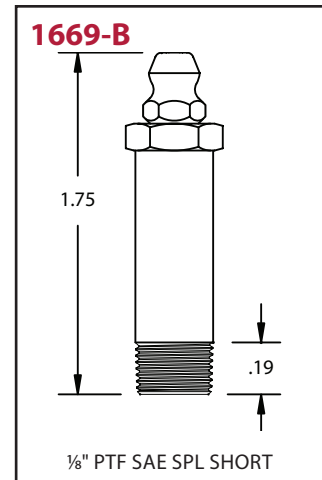
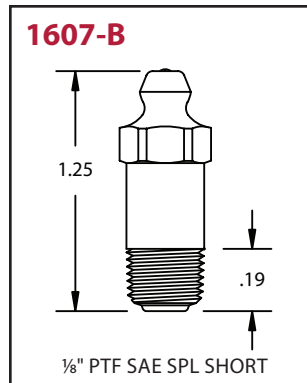
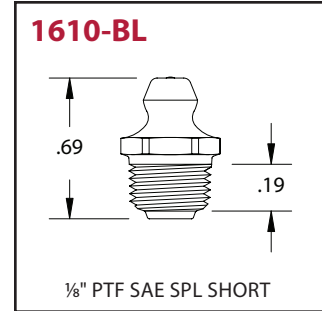
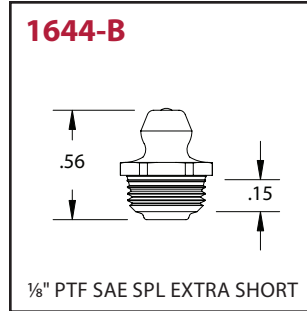
Alemite 1/8" PTF Fittings are used on industrial machines and heavy equipment.

FEATURES:

- Meets SAE J534:2015 requirements:
 - 144 hour salt spray base metal protection
 - 96 hour salt spray coating protection
 - 34.5 MPa (5,000 psi) blowout protection
- Dirt excluding check ball
- Trivalent zinc plating
- RoHS compliant
- 1958 has specialty cap providing a second seal for dust proof applications

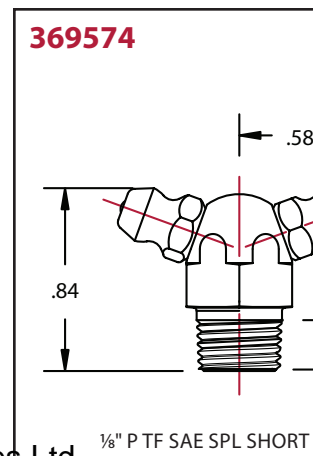
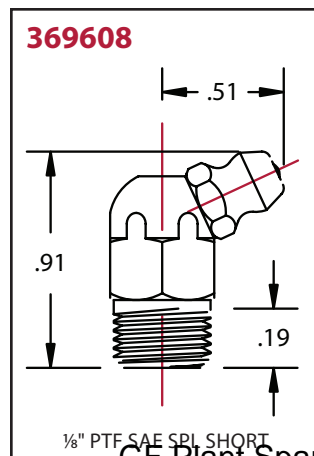
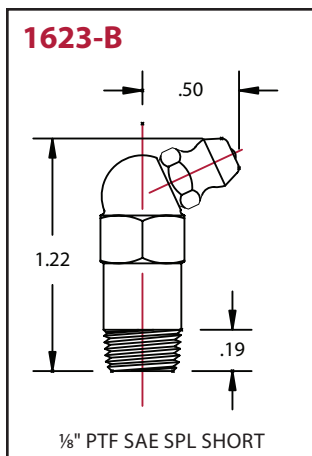
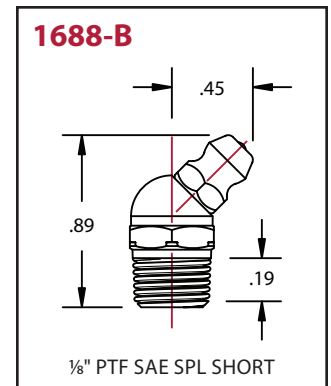
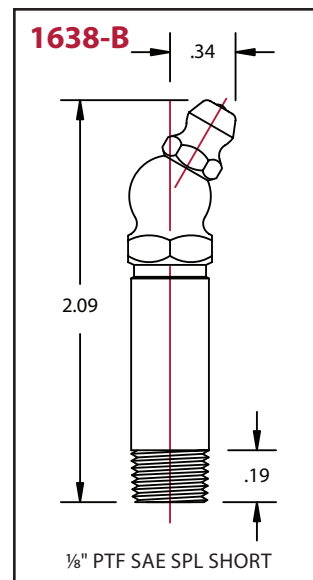
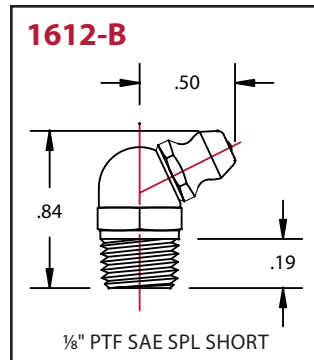
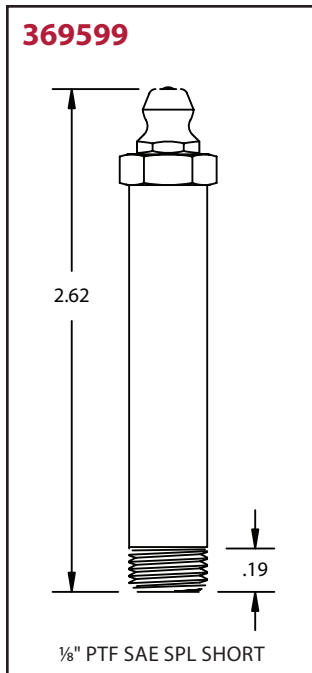
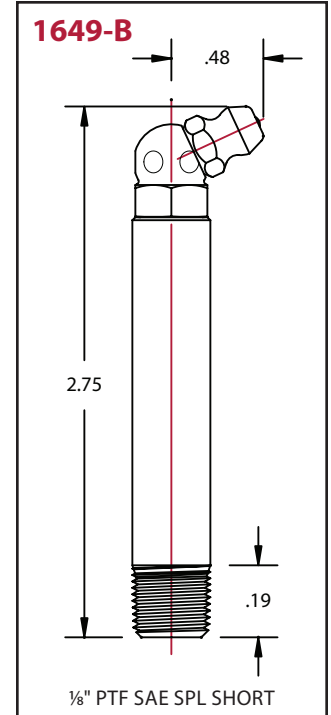
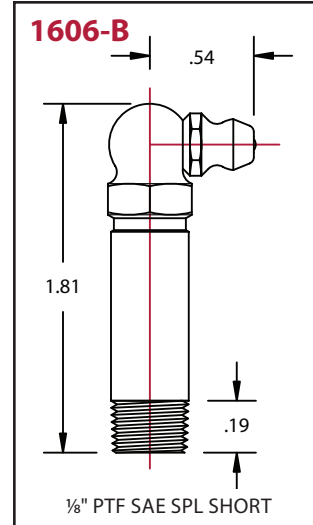
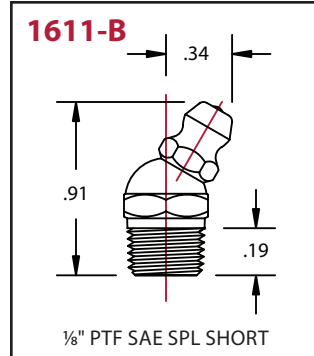
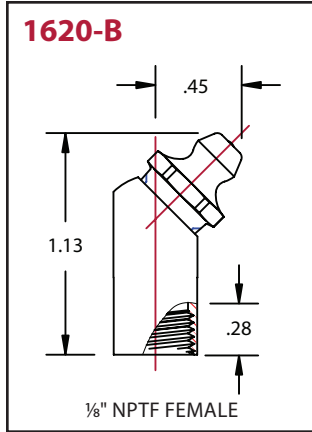
| Product # | Type | Hex Size | Overall Length | Shank Length |
|---------------------|------------|----------|----------------|--------------|
| 1644-B | Straight | 7/16" | 9/16" | 15/64" |
| 1610-BL | Straight | 7/16" | 11/16" | 19/64" |
| 1607-B | Straight | 7/16" | 1-1/4" | 25/32" |
| 1669-B | Straight | 7/16" | 1-3/4" | 1-17/64" |
| 1684-B | Straight | 3/8" | 2-5/8" | 2-3/16" |
| 1618-B | Straight | 1/2" | 1" | 9/32" |
| 1958 ⁽¹⁾ | Straight | 7/16" | 31/32" | 1/4" |
| 1611-B | 30° | 7/16" | 29/32" | 19/64" |
| 1638-B | 30° | 7/16" | 2-3/32" | 1-1/4" |
| 1688-B | 45° | 7/16" | 57/64" | 19/64" |
| 1620-B | 45° | 7/16" | 1-1/8" | 13/32" |
| 1612-B | 65° | 7/16" | 27/32" | 19/64" |
| 1623-B | 65° | 7/16" | 1-7/32" | 9/16" |
| 1649-B | 65° | 3/8" | 2-3/4" | 2-1/4" |
| 1613-B | 90° | 7/16" | 27/32" | 19/64" |
| 1606-B | 90° | 7/16" | 1-13/16" | 1-1/4" |
| 369599 | Straight | 7/16" | 2-5/8" | 7/32" |
| 369608 | 65° | 7/16" | 29/32" | 9/32" |
| 369574 | Double 70° | 1/2" | 27/32" | 7/32" |

⁽¹⁾Also available in a 1/8" BSPT version (1958-E)



INDUSTRIAL LUBRICATION FITTINGS

ZERK FITTINGS



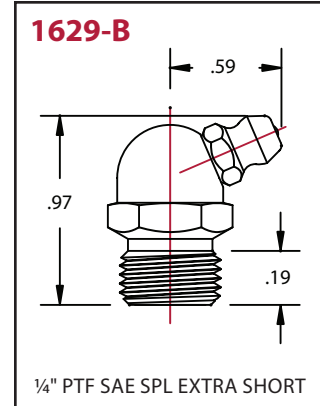
ZERK FITTINGS

1/4" PTF Fittings

Alemite 1/4" PTF Fittings are widely used for larger bearings on farm machinery and heavy industrial equipment. Recommended for heavy lubricants in cold weather.

FEATURES:

- Meets SAE J534:2015 requirements:
 - 144 hour salt spray base metal protection
 - 96 hour salt spray coating protection
 - 34.5 MPa (5,000 psi) blowout protection
- Dirt excluding check ball
- Trivalent zinc plating
- RoHS compliant
- Dry seal eliminates need for sealant



| Product # | Type | Hex Size | Overall Length | Shank Length |
|-----------|----------|----------|----------------|--------------|
| 1627-B | Straight | 9/16" | 7/8" | 27/64" |
| 1629-B | 67.5° | 9/16" | 31/32" | 11/32" |

INDUSTRIAL LUBRICATION FITTINGS

ZERK FITTINGS

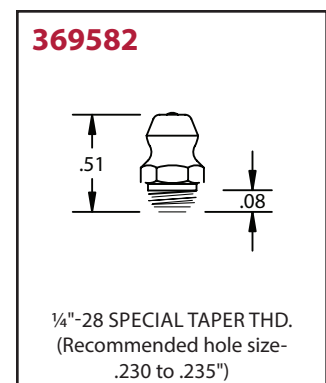
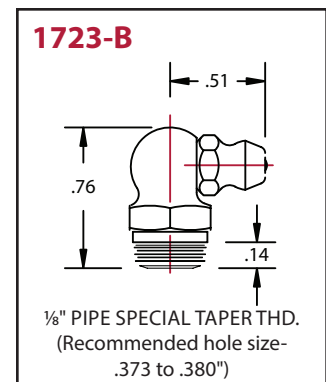
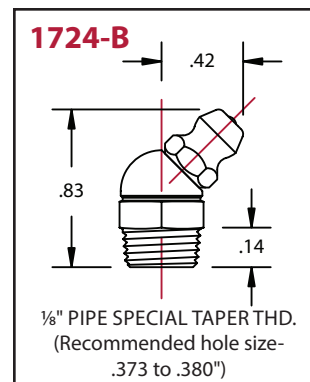
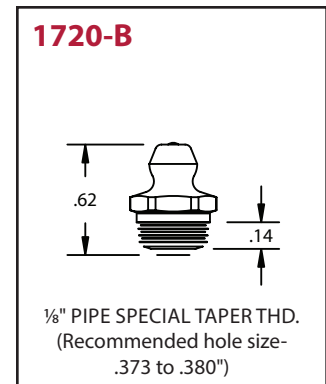
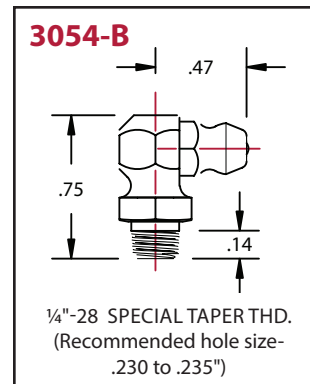
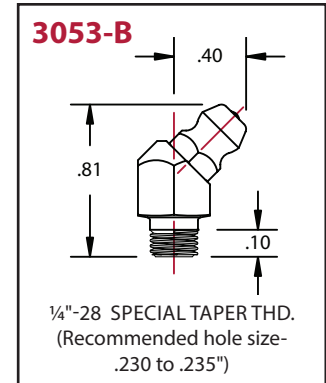
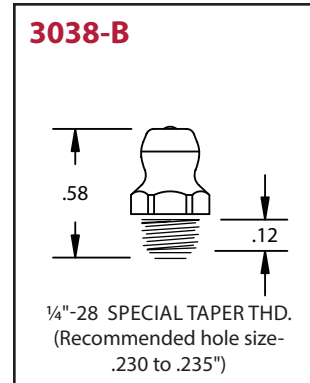
1/4"-28 and 1/8" Thread Forming Fittings

Alemite Thread Forming Fittings have special tapered drive threads which reshape the material in an untapped hole to provide a leak proof seal. They are most effectively installed by spinning into the untapped hole. Thread forming fittings can be replaced by any standard threaded fitting or by another thread forming fitting.

FEATURES:

- Exceeds 72 hour salt spray test
- Dirt excluding check ball
- Threads provide strong seal
- Dyed yellow for identification
- Trivalent zinc plating
- RoHS compliant

| Product # | Type | Hex Size | Hole Size recommended |
|-----------|----------|----------|-----------------------|
| 3038-B | Straight | 5/16" | .230 - .235 |
| 3053-B | 45° | 3/8" | .230 - .235 |
| 3054-B | 90° | 3/8" | .230 - .235 |
| 1720-B | Straight | 7/16" | .373 - .380 |
| 1723-B | 90° | 7/16" | .373 - .380 |
| 1724-B | 45° | 7/16" | .373 - .380 |
| 369582 | Straight | 9/32" | .230 - .235 |



FITTINGS FOR EXTREME ENVIRONMENTS

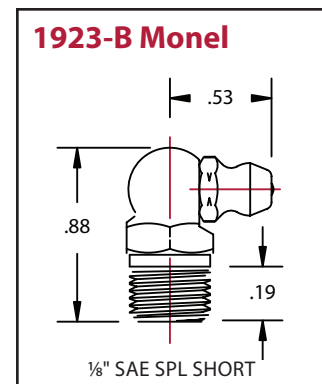
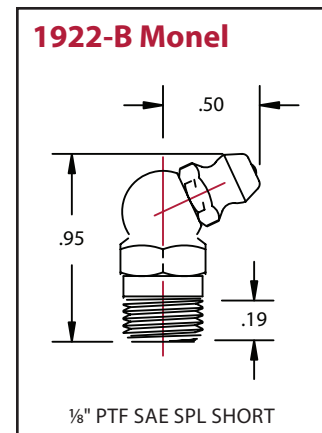
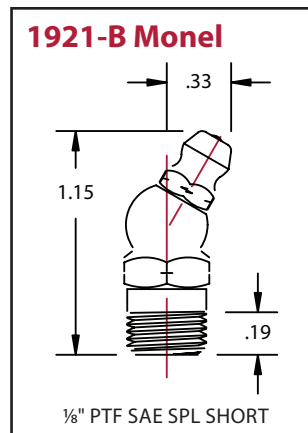
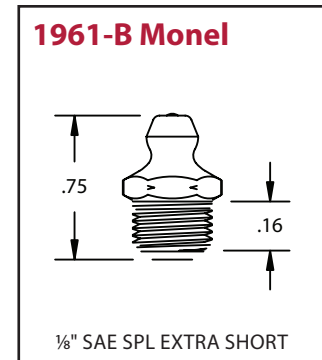
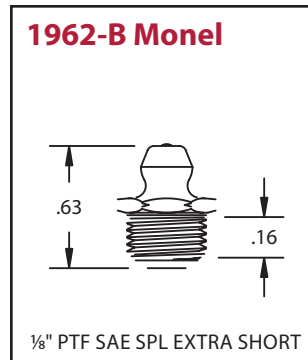
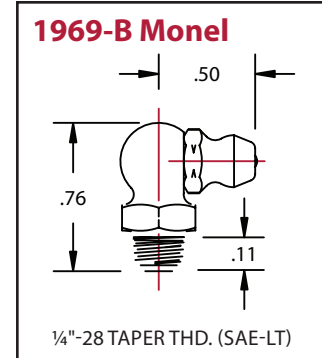
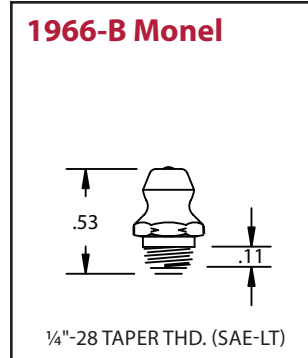
Monel Fittings

Alemite Monel Fittings withstand the most severe marine and industrial corrosive environments. Monel is a Nickel/Copper alloy that is highly resistant to corrosion. All monel fittings have a single notch on the hex for easy identification.

FEATURES:

- Greater corrosion resistance than stainless steel
- Withstands extreme temperatures ranging from sub-zero to 700°F (371°C)
- Ideal for use in harsh chemical environments and marine applications
- Dirt excluding check ball
- RoHS compliant

| Product # | Thread | Type | Hex Size | Overall Length | Shank Length |
|-----------|---------------|----------|----------|----------------|--------------|
| 1966-B | 1/4"-28 Taper | Straight | 5/16" | 17/32" | 3/16" |
| 1969-B | 1/4"-28 Taper | 90° | 3/8" | 3/4" | 13/64" |
| 1962-B | 1/8" PTF | Straight | 7/16" | 5/8" | 9/32" |
| 1961-B | 1/8" PTF | Straight | 7/16" | 3/4" | 5/16" |
| 1921-B | 1/8" PTF | 30° | 7/16" | 1-1/4" | 11/32" |
| 1922-B | 1/8" PTF | 67.5° | 7/16" | 61/64" | 11/32" |
| 1923-B | 1/8" PTF | 90° | 7/16" | 7/8" | 11/32" |



INDUSTRIAL LUBRICATION FITTINGS

FITTINGS FOR EXTREME ENVIRONMENTS

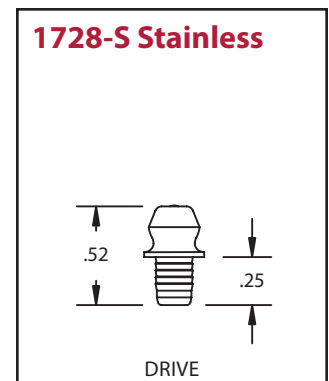
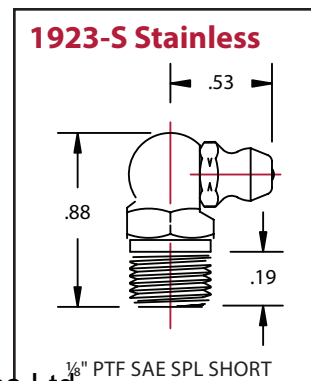
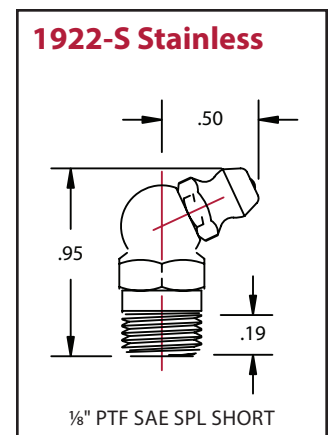
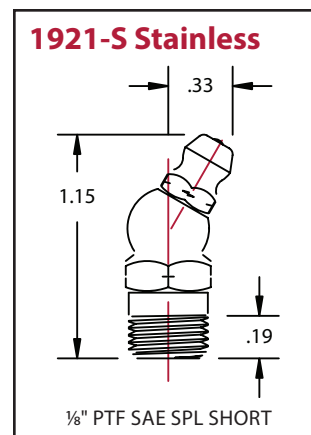
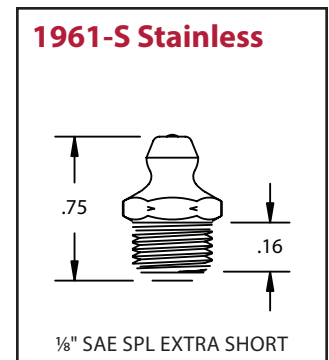
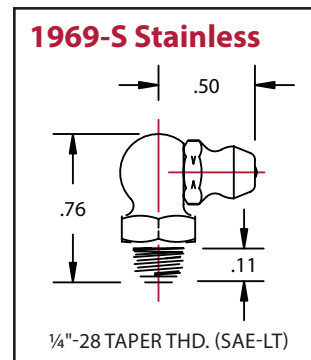
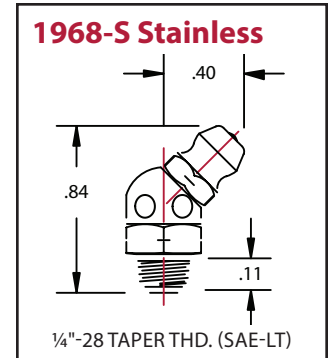
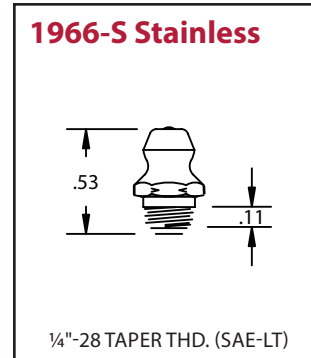
Stainless Steel Fittings

Alemite Stainless Steel Fittings withstand severely corrosive marine and industrial environments. All stainless steel fittings have 2 notches for easy identification.

FEATURES:

- Greater corrosion resistance than carbon steel
- Withstands extreme temperatures ranging from sub-zero to 600°F (315°C)
- Ideal for use in harsh chemical environments and marine applications
- Stainless steel fittings are comprised of Type 303 SS for fitting bodies, Type 440 SS for balls, and Type 302 for tempered springs
- Dirt excluding check ball
- RoHS compliant

| Product # | Thread | Type | Hex Size | Overall Length | Shank Length |
|-----------|---------------|----------|----------|----------------|--------------|
| 1966-S | 1/4"-28 Taper | Straight | 5/16" | 17/32" | 3/16" |
| 1968-S | 1/4"-28 Taper | 45° | 3/8" | 13/16" | 13/64" |
| 1969-S | 1/4"-28 Taper | 90° | 3/8" | 3/4" | 13/64" |
| 1961-S | 1/8" PTF | Straight | 7/16" | 3/4" | 5/16" |
| 1921-S | 1/8" PTF | 30° | 7/16" | 1-1/4" | 11/32" |
| 1922-S | 1/8" PTF | 67.5° | 7/16" | 61/64" | 11/32" |
| 1923-S | 1/8" PTF | 90° | 7/16" | 7/8" | 11/32" |
| 1728-S | Drive | Straight | 5/16" | 33/64" | 5/16" |



DRIVE FITTINGS

Straight

Alemite Drive Fittings provide a simple, cost effective alternative to tapping for various applications.

FEATURES:

- Exceeds 72 hour salt spray test
- Used for untapped holes
- Serrated shank provides secure, lasting grip
- Simplifies replacement of damaged fittings in old or oversized holes
- Trivalent zinc plating
- RoHS compliant

All fittings clear zinc unless otherwise noted.

| Product # | Type | Overall Length | Shank Length | Drill Diameter | Ball Check |
|-----------------------|----------------|-------------------|--------------|----------------|------------|
| 1736-A | Straight | 9/16" (14.28 mm) | 1/4" | 1/8" | No |
| 3019 | Straight | 15/32" (11.91 mm) | 5/32" | 1/8" | No |
| 3009 | Straight | 25/64" (9.92 mm) | 3/32" | 3/16" | No |
| 3005 | Straight | 15/32" | 11/64" | 3/16" | No |
| 3006 | Straight | 31/64" | 7/32" | 3/16" | No |
| 1728-B | Straight | 33/64" (13.09 mm) | 1/4" | 3/16" | Yes |
| 1633 | Straight | 5/8" | 1/4" | 3/16" | No |
| 1743-B | Straight | 35/64" | 1/4" | 1/4" | Yes |
| 1952-A | Straight | 15/32" | 1/8" | 1/4" | No |
| 1608-B | Straight | 35/64" (13.89 mm) | 1/4" | 5/16" | Yes |
| 1666 | Straight | 37/64" | 7/32" | 3/8" | No |
| 369591 | Straight | 21/50" | – | 3/16" | No |
| 369604 | Straight Flush | 11/32" (8.73 mm) | 21/64" | 1/4" | Yes |
| 369577 ⁽¹⁾ | Straight | 35/64" (13.89 mm) | 1/4" | 1/4" | Yes |

⁽¹⁾Yellow zinc

Drive Fitting Tools-Straight

| Product # | Type of Drive Fitting | Use with Fitting |
|-----------|-----------------------|--|
| 5253 | Straight | 1633, 1666, 1720-B, 1736-A, 1952-A, 3005, 3009, 3019, 369591, 369604, 369577 |
| 5253-1 | Straight | 1608-B, 1743-B, 3038-B |
| 5253-3 | Straight | 1728-B |



5253

INDUSTRIAL LUBRICATION FITTINGS

DRIVE FITTINGS

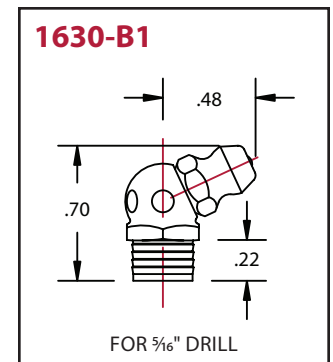
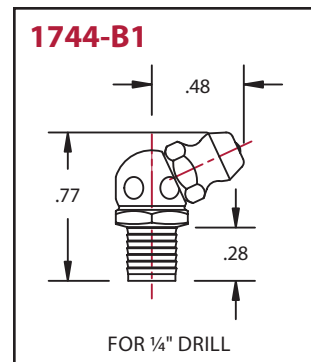
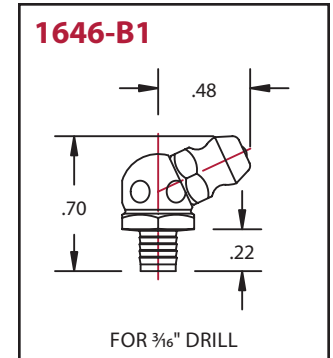
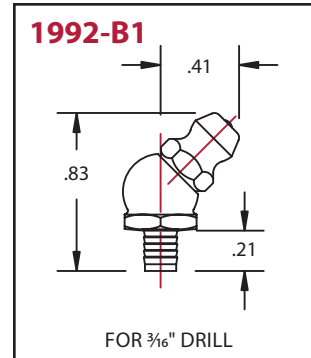
Angled

Alemite Drive Fittings provide a simple, cost effective alternative to tapping for various applications.

FEATURES:

- Exceeds 72 hour salt spray test
- Used for untapped holes
- Serrated shank provides secure, lasting grip
- Simplifies replacement of damaged fittings in old or oversized holes
- Trivalent zinc plating
- RoHS compliant

| Product # | Type | Overall Length | Shank Length | Drill Diameter | Ball Check |
|-----------|------|----------------|--------------|----------------|------------|
| 1992-B1 | 45° | 53/64" | 7/32" | 3/16" | Yes |
| 1646-B1 | 65° | 45/64" | 7/32" | 3/16" | Yes |
| 1744-B1 | 65° | 49/64" | 9/32" | 1/4" | Yes |
| 1630-B1 | 65° | 45/64" | 7/32" | 5/16" | Yes |



Drive Fitting Tools-Angled

This special tool simplifies the original installation of drive fittings in untapped holes.

| Product # | Type of Drive Fitting | Use with Fitting |
|-----------|-----------------------|--|
| 5254-1 | Angled | 1630-B1, 1646-B1, 1744-B1, 1992-B1, 1722-B, 1723-B, 1724-B |



METRIC ZERK FITTINGS

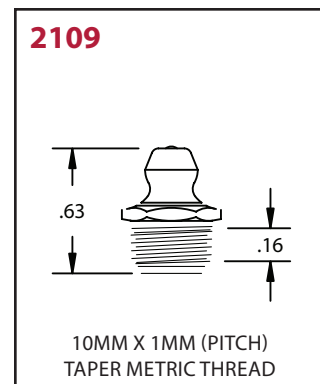
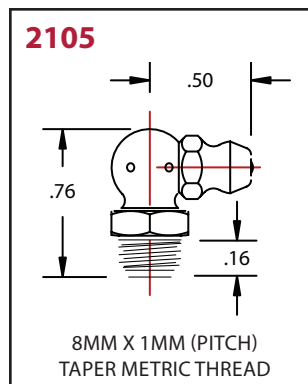
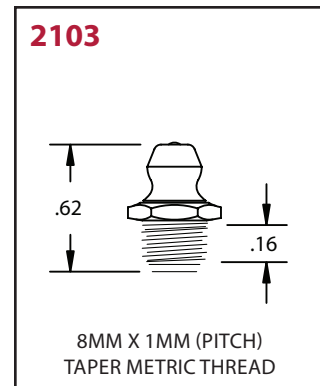
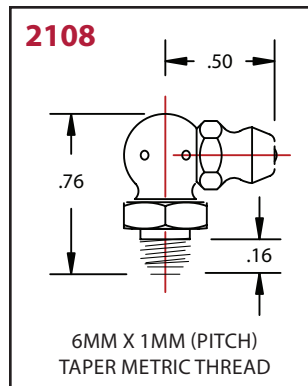
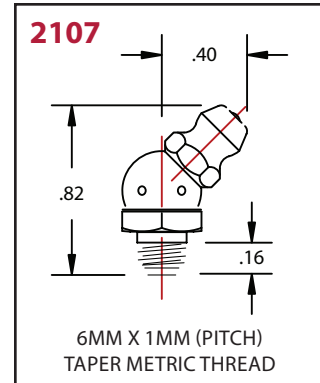
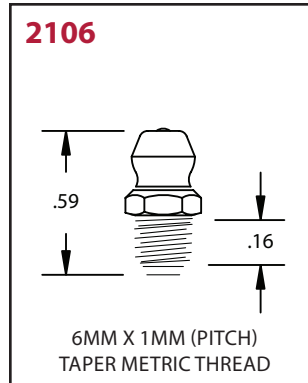
Threaded Metric Fittings

Alemite metric thread conforms to German Standard DIN 71412.

FEATURES:

- Exceeds 72 hour salt spray test
- Dirt excluding check ball
- Trivalent zinc plating
- RoHS compliant

| Prod. # | Thread | Type | Hex Size | Overall Length | Shank Length |
|---------|--------------|----------|----------|----------------|--------------|
| 2106 | 6 mm x 1 mm | Straight | 7 mm | 19/32" | 1/4" |
| 2107 | 6 mm x 1 mm | 45° | 10 mm | 13/16" | 7/32" |
| 2108 | 6 mm x 1 mm | 90° | 10 mm | 3/4" | 7/32" |
| 2103 | 8 mm x 1 mm | Straight | 9 mm | 5/8" | 1/4" |
| 2105 | 8 mm x 1 mm | 90° | 10 mm | 3/4" | 7/32" |
| 2109 | 10 mm x 1 mm | Straight | 11 mm | 5/8" | 1/4" |



INDUSTRIAL LUBRICATION FITTINGS

BUTTON HEAD FITTINGS

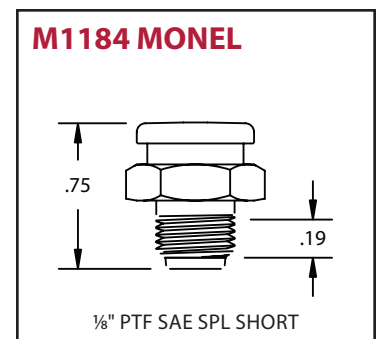
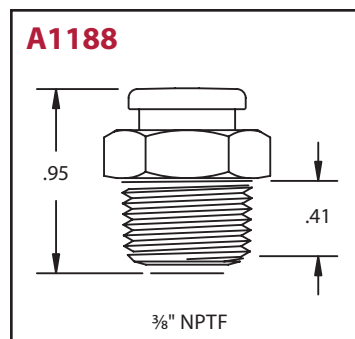
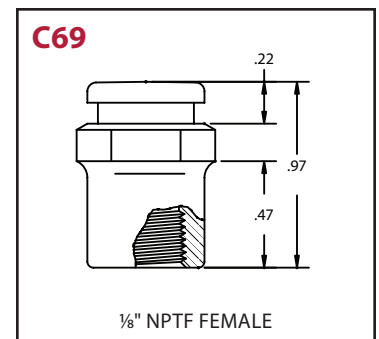
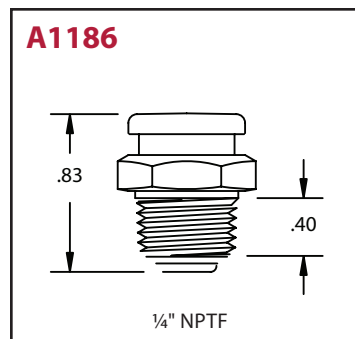
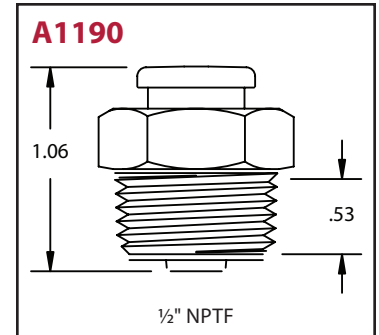
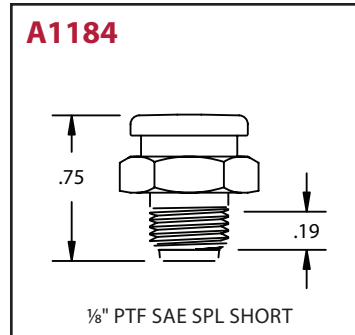
Standard

Alemite Standard Button Head Fittings are used in rugged applications such as heavy machinery, construction equipment and off road equipment.

FEATURES:

- Exceeds 72 hour salt spray test
- Trivalent zinc plating
- RoHS compliant
- Head size helps minimize breakage
- Dirt excluding plunger check valve helps reduce dirt contamination

| Product # | Thread | Hex Size | Overall Length | Shank Length |
|-----------|--------------|----------|----------------|--------------|
| A1184 | 1/8" PTF | 5/8" | 3/4" | 11/32" |
| A1186 | 1/4" NPTF | 5/8" | 53/64" | 27/64" |
| A1188 | 3/8" NPTF | 3/4" | 61/64" | 31/64" |
| A1190 | 1/2" NPTF | 7/8" | 1-1/16" | 35/64" |
| C69 | 1/8" NPTF(f) | 5/8" | 31/32" | 13/32" |
| M1184 | 1/8" PTF | 5/8" | 3/4" | 11/32" |



BUTTON HEAD FITTINGS

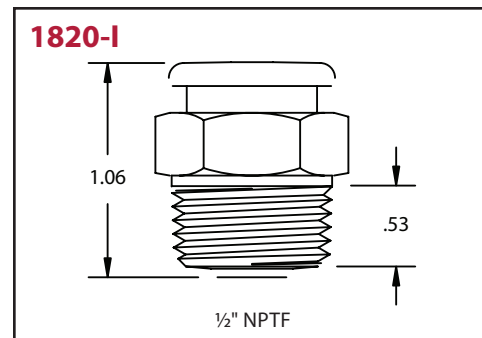
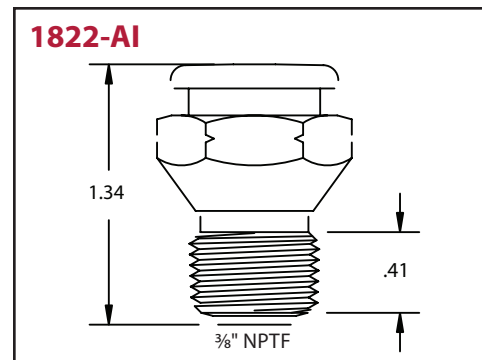
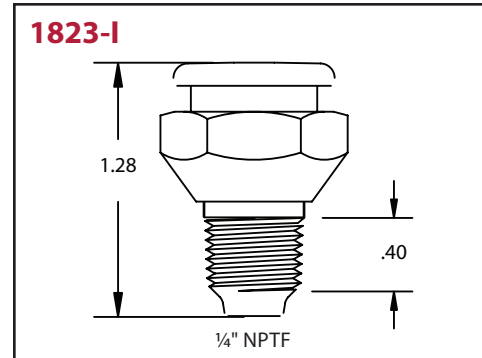
Giant Fittings

Alemite Giant Button Head Fittings are the largest fitting available for rugged applications.

FEATURES:

- Exceeds 72 hour salt spray test
- Trivalent zinc plating
- RoHS compliant
- Head size helps minimize breakage
- Dirt excluding plunger check valve helps reduce dirt contamination

| Product # | Thread | Hex Size | Overall Length | Shank Length |
|-----------|-----------|----------|----------------|--------------|
| 1823-1 | 1/4" NPTF | 7/8" | 1-1/4" | 1/2" |
| 1822-A1 | 3/8" NPTF | 7/8" | 1-5/16" | 9/16" |
| 1820-1 | 1/2" NPTF | 7/8" | 1-1/16" | 1/2" |



INDUSTRIAL LUBRICATION FITTINGS

RELIEF FITTINGS

Alemite Relief Fittings are used on gearbox housings and bearings (king pins, universal joints, etc.) where excessive lubrication pressure is not desired.

FEATURES:

- Exceeds 72 hour salt spray test
- Trivalent zinc plating
- RoHS compliant
- Fittings open at predetermined pressure (see table)
- May be used with grease or oil
- 338382 is a leak proof fitting

RECOMMENDED ACCESSORIES

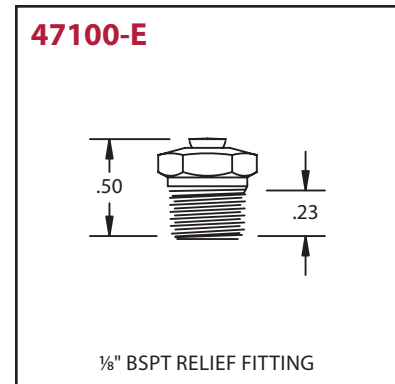
- 1/8" – 1/4" Bushing (45120)

British Standard Pipe Thread Fittings

FEATURES:

- Dirt excluding check ball
- Trivalent zinc plating
- RoHS compliant

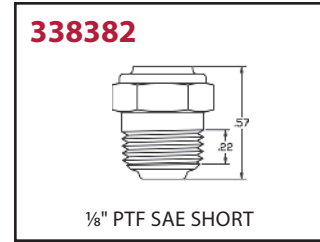
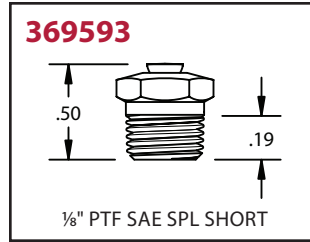
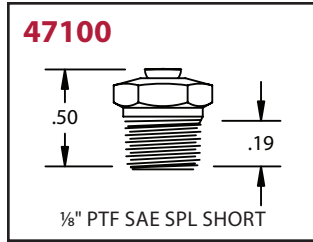
| Product # | Description | Opening Pressure |
|-----------|--------------------------|------------------|
| 317400-E | 1/8" BSPT Relief Fitting | 1/4 to 1 psi |
| 47200-E | 1/8" BSPT Relief Fitting | 1 to 5 psi |
| 47100-E | 1/8" BSPT Relief Fitting | 45 to 80 psi |





RELIEF FITTINGS

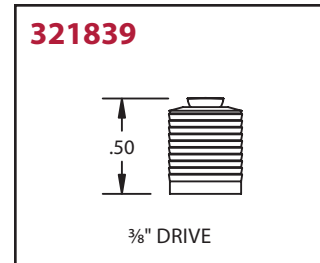
1/8" Pipe Thread



| Product # | Thread | Relief Pressure | | Pressure Based on Using Air/Grease/Oil |
|-----------|------------------------|-----------------|---------|--|
| | | Min | Max | |
| 317400 | 1/8" PTF SAE SPL Short | .25 psi | 1 psi | Air at 1.2 Ft3/Hr |
| 47200 | 1/8" PTF SAE SPL Short | 1 psi | 5 psi | Oil 30W SAE |
| 47640 | 1/8" PTF SAE SPL Short | 7.5 psi | 15 psi | Oil 30W SAE |
| 323060 | 1/8" PTF SAE SPL Short | 15 psi | 25 psi | Oil 30W SAE |
| 47100 | 1/8" PTF SAE SPL Short | 45 psi | 80 psi | Oil 30W SAE |
| 50500 | 1/8" PTF SAE SPL Short | 400 psi | 650 psi | NLGI 1 Grease, Calcium Based |
| 369593 | 1/8" PTF SAE SPL Short | 100 psi | 200 psi | NLGI 1 Grease, Calcium Based |
| 338382 | 1/8" PTF SAE SPL Short | 80 psi | 140 psi | Oil 30W SAE |

Drive

| Product # | Drive Fitting | Relief Pressure | |
|-----------|---------------------|-----------------|-------|
| | | Min | Max |
| 321839 | 3/8" Diameter Drill | 1 psi | 5 psi |



INDUSTRIAL LUBRICATION FITTINGS

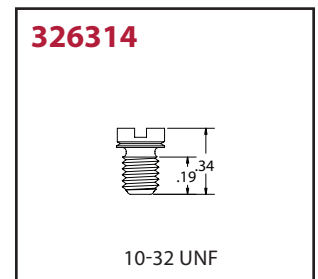
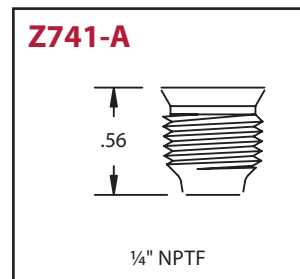
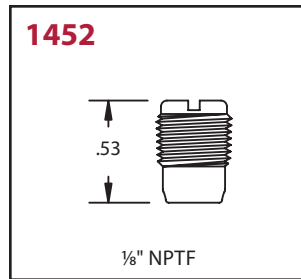
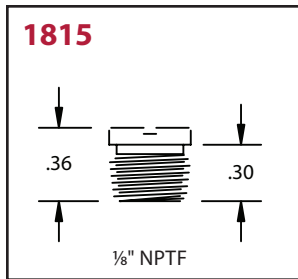
FLUSH TYPE FITTINGS

Alemite Flush Type Fittings are used where protruding fittings are not desirable, such as for line shafting pulleys or revolving bearings.

FEATURES:

- Exceeds 72 hour salt spray test
- Dirt excluding check ball
- Trivalent zinc plating
- RoHS compliant
- Flush mounting reduces potential for damage

Threaded - Slotted



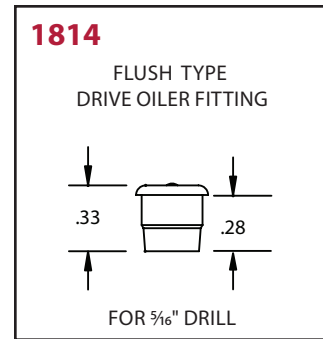
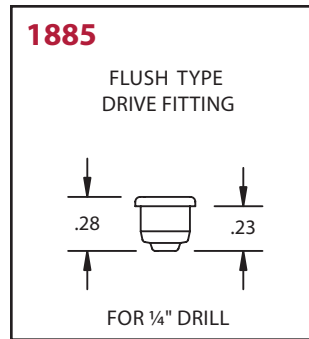
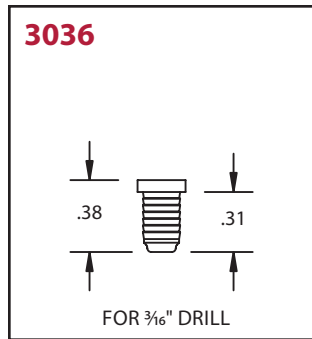
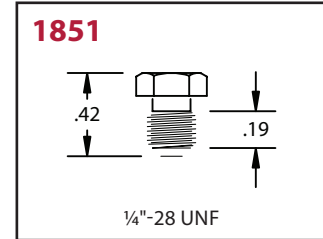
| Product # | Thread | Type | Overall Length | Shank Length | Drill Diameter |
|-----------|----------------|---------|----------------|--------------|----------------|
| 1815 | Overall Length | Slotted | Shank Length | 19/64" | — |
| 1452 | Overall Length | Slotted | Shank Length | — | — |
| Z741-A | Overall Length | Slotted | Shank Length | — | — |
| 326314 | 10-32 UNF | Slotted | 3/8" | 15/64" | — |



FLUSH TYPE FITTINGS

Threaded - Hex

| Product # | Thread | Type | Overall Length | Shank Length | Drill Diameter |
|-----------|------------|------|----------------|--------------|----------------|
| 1851 | 1/4"-28 NF | Hex | 13/32" | 19/64" | — |



Drive

| Product # | Thread | Type | Overall Length | Shank Length | Drill Diameter |
|-----------|--------|----------|----------------|--------------|----------------|
| 3036 | Drive | Straight | 3/8" | 5/16" | 3/16" |
| 1885 | Drive | Straight | 9/32" | 15/64" | 1/4" |
| 1814 | Drive | Straight | 21/64" | 9/32" | 5/16" |

INDUSTRIAL LUBRICATION FITTINGS

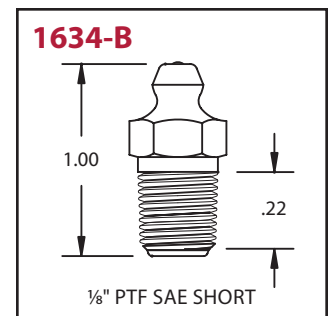
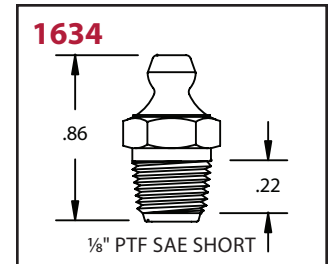
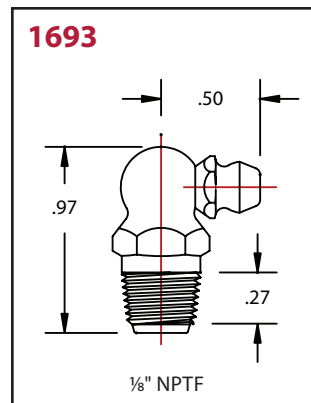
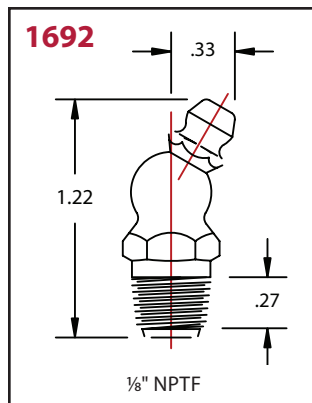
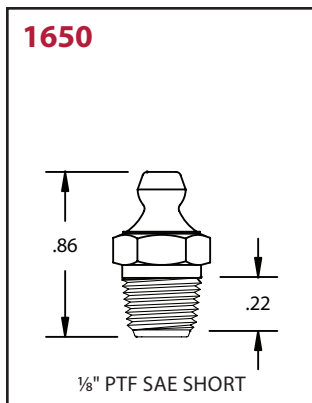
LEAKPROOF FITTINGS

To improve reliability of the check valve in these fittings, keep input passages free of foreign particles. Redundancy of seal should be provided in critical applications where back pressure must be maintained.

Threaded

RECOMMENDED ACCESSORY:

- Dust Caps



| Product # | Type | Thread | Hex Size | Overall Length | Shank Length | Check Valve | Max. Back Pressure |
|-----------------------|----------|--------------------|----------|----------------|--------------|--|--------------------|
| 1650 ⁽¹⁾ | Straight | 1/8" PTF SAE Short | 7/16" | 29/32" | 25/64" | Fluoroelastomerer Ball | 3,000 psi |
| 1692 ⁽¹⁾ | 30° | 1/8" NPTF | 7/16" | 1-7/32" | 25/64" | Buna-N disk | 3,000 psi |
| 1693 ⁽¹⁾ | 90° | 1/8" NPTF | 7/16" | 31/32" | 25/64" | Buna-N disk | 3,000 psi |
| 1634 ⁽²⁾ | Straight | 1/8" PTF SAE Short | 7/16" | 27/32" | 23/64" | Steel Ball/Brass Seat | 10,000 psi |
| 1634-B ⁽²⁾ | Straight | 1/8" PTF SAE Short | 7/16" | 1" | 33/64" | Steel Ball/Brass Seat plus dirt excluding surface ball check | 10,000 psi |

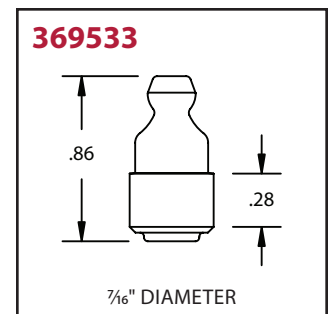
⁽¹⁾ Designed for light oils

⁽²⁾ Designed for grease, medium and heavy oils

Drive

| Product # | Type | Thread | Press Fit OD | Overall Length | Check Valve | Max Back Pressure |
|-----------|----------|--------|--------------|----------------|-----------------------|-------------------|
| 369533 | Straight | — | 7/16" | 55/64" | Steel Ball/Brass Seat | * |

* Maximum pressure depends on the press fit



VENTS

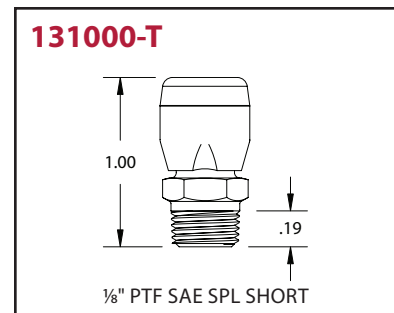
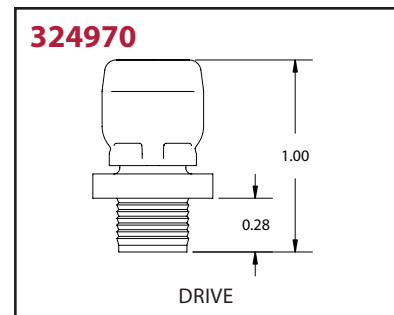
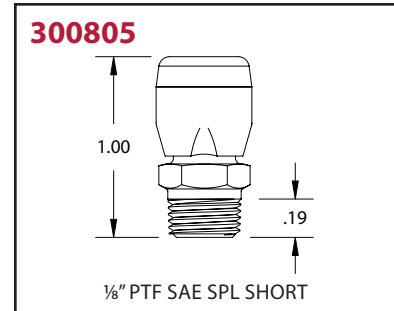
Vents

Alemite Vents are used with transmissions, speed reducers, axles, gear housings and similar applications. The vent is placed above normal lubrication level to allow air to escape when internal pressure rises.

FEATURES:

- Exceeds 72 hour salt spray test
- Trivalent zinc plating
- Vent opens at designated pressure (see table)
- Helps to prevent fluid leakage
- Special cap prevents water or dirt from entering

| Product # | Thread | Opening Pressure |
|-----------|---|----------------------------------|
| 300805 | 1/8" PTF SAE Short | Felt filter |
| 304810 | 1/8" PTF SAE Short | 1-3" water |
| 324970 | Drive 3/8". Designed as $0.374 \pm 0.000-0.003$ drive. Use 0.368" drill or U drill. | 6-12" water, 0.25 to 0.43 psi |
| 131000-T | 1/8" PTF SAE Short | 12" water max |
| 327240 | 1/8" PTF SAE Short | 1 to 1-1/2 psi |
| 330766 | 1/8" PTF SAE Short | 2-1/2 to 4 psi |
| 369622 | 1/8" PTF SAE Special Short | 2-1/2 to 4 psi |



INDUSTRIAL LUBRICATION FITTINGS

BREATHERS

Breathers

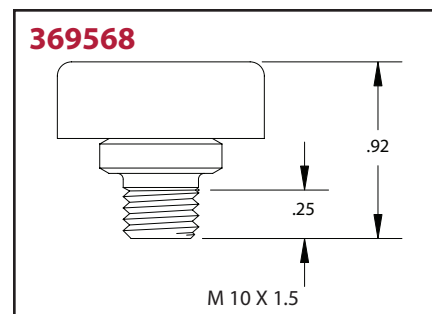
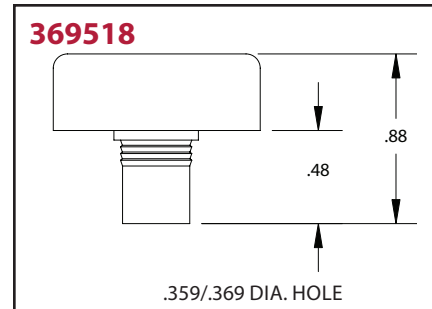
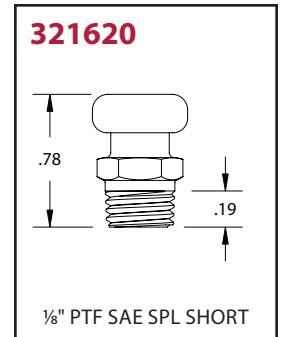
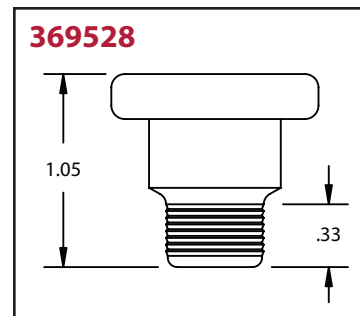
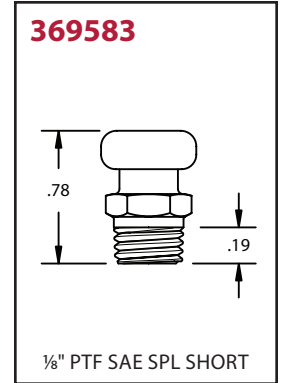
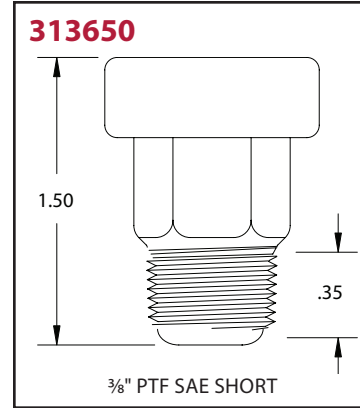
Alemite Breathers are used with transmissions, differentials, speed reducers, axles, gear housings and similar applications. The breather helps maintain proper pressure.

FEATURES:

- Exceeds 72 hour salt spray test
- Trivalent zinc plating
- No airflow restrictions
- Breathers with felt filters help reduce dirt contamination

| Product # | Description | Thread |
|-----------------------|------------------------|--|
| 313650 | Two Baffles | 3/8" PTF SAE Short |
| 369583 ⁽¹⁾ | Corrosion Resistant | 1/8" PTF SAE Short |
| 369528 | Press Fit, Two Baffles | Goes into .497/.5032 DIA hole |
| 321620 | Zinc Trivalent | 1/8" PTF SAE SPL Short |
| 369518 | Double Vent | Drive 0.374±0.000-0.003 hole Use 0.36" drill or U drill |
| 369568 | M 10 x 1.5 | M 10 x 1.5 |

⁽¹⁾ 240 hour salt spray test



SPECIALTY FITTINGS

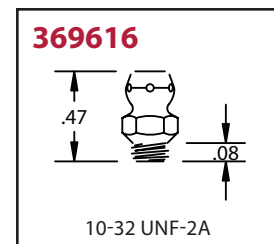
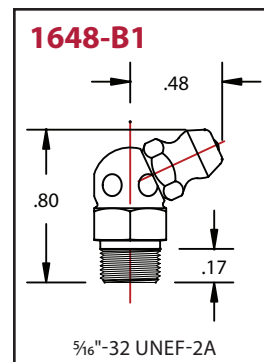
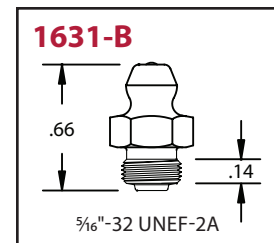
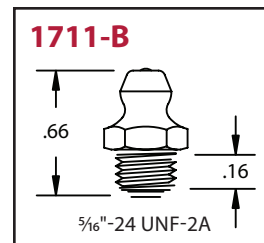
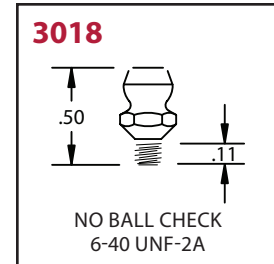
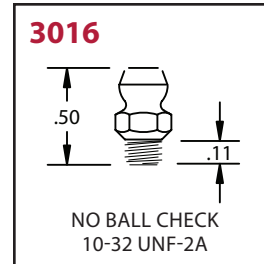
Special Thread Fittings

Alemite offers special threads and sizes for special lubrication applications. All have high pressure ball check unless noted.

FEATURES:

- Exceeds 72 hour salt spray test
- Dirt excluding check ball
- Trivalent clear zinc plating
- RoHS compliant
- 3016, 3018 and 369616 have no ball check

| Product # | Thread | Type | Hex Size | Overall Length | Shank Length |
|-----------|------------------|----------|----------|----------------|--------------|
| 3016 | 10-32 UNF-2A | Straight | 1/4" | 1/2" | 1/8" |
| 3018 | 6-40 UNF-2A | Straight | 1/4" | 1/2" | 9/64" |
| 1711-B | 5/16"-24 UNF-2A | Straight | 3/8" | 21/32" | 5/32" |
| 1631-B | 5/16"-32 UNEF-2A | Straight | 3/8" | 21/32" | 15/64" |
| 1648-B1 | 5/16"-32 UNEF-2A | 65° | 3/8" | 51/64" | 7/32" |
| 369616 | 10-32 UNF-2A | Straight | 1/4" | 15/32" | 5/64" |



INDUSTRIAL LUBRICATION FITTINGS

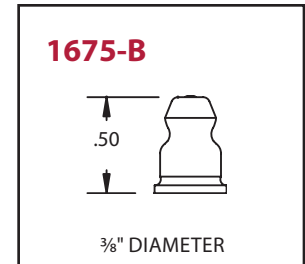
SPECIALTY FITTINGS

Rivet Fittings

Alemite Rivet Fittings are used where threaded or drive fittings are difficult to use. They are commonly used for king pin applications.

FEATURES:

- Exceeds 72 hour salt spray test
- Dirt excluding check ball
- Trivalent zinc plating
- RoHS compliant



| Product # | Type | Overall Length | Fitting Diameter | Rivet Diameter |
|-----------|----------|----------------|------------------|----------------|
| 1675-B | Straight | 1/2" | 3/8" | 5/16" |

Pin Type Fittings

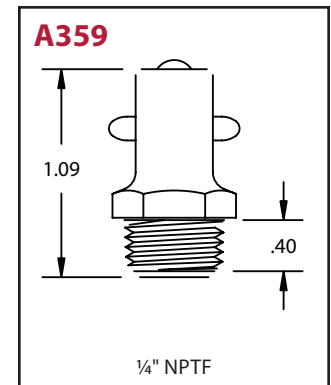
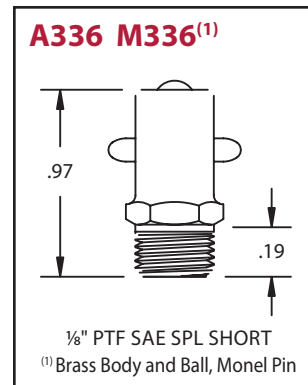
Alemite Pin Type Fittings have positive locking action on coupler and cross pin, providing a leakproof connection.

FEATURES:

- Exceeds 72 hour salt spray test
- Dirt excluding check ball
- Trivalent zinc plating
- RoHS compliant

RECOMMENDED ACCESSORIES:

- Pin Type Couplers (VB942, 50491, 51185)



| Product # | Thread | Type | Hex Size | Overall Length | Shank Length |
|-----------|-----------|----------|----------|----------------|--------------|
| A336* | 1/8" PTF | Straight | 7/16" | 31/32" | 17/64" |
| A359* | 1/4" NPTF | Straight | 17/32" | 1-3/32" | 5/16" |
| M336* | 1/8" PTF | Straight | 7/16" | 31/32" | 17/64" |

*  **WARNING** California Proposition 65: Cancer and reproductive harm. www.P65Warnings.ca.gov

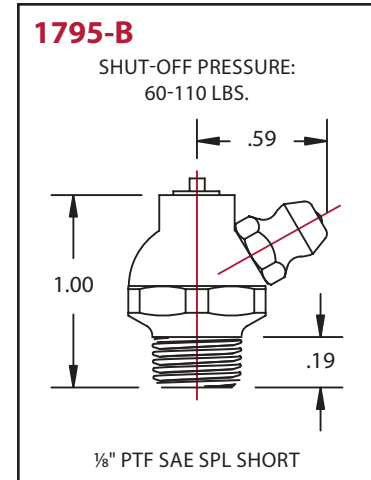
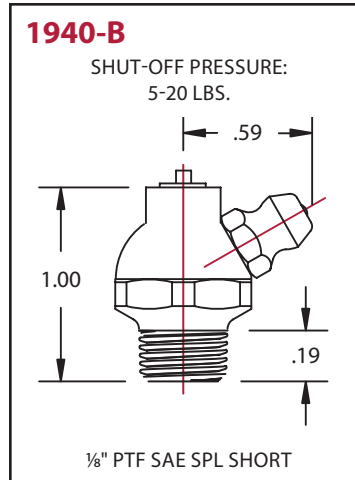
SPECIALTY FITTINGS

Hydraulic Shut Off Fittings

Alemite Hydraulic Shut Off Fittings positively shut off at specified pressure, preventing over-lubrication and damaging of bearing seals.

FEATURES:

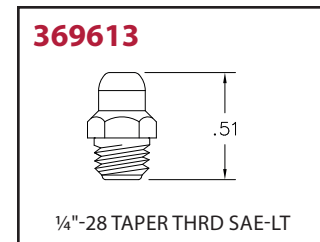
- Exceeds 72 hours salt spray test
- Dirt excluding check ball
- Trivalent zinc plating
- RoHs compliant



| Product # | Type | Hex Size | Overall Length | Shank Length | Shut-off Pressure |
|-----------|------|----------|----------------|--------------|-------------------|
| 1940-B | 60° | 5/8" | 1" | 17/64" | 5-20 psi |
| 1795-B | 60° | 5/8" | 1" | 17/64" | 60-110 psi |

Bullet Nose Fitting

| Product # | Thread | Type | Hex Size | Overall Length |
|-----------|----------------|----------|----------|----------------|
| 369613 | 1/4"-28 SAE-LT | Straight | 0.28" | 0.51" |





INDUSTRIAL LUBRICATION FITTINGS

FITTING ASSORTMENTS

Blister Packs

Alemite Blister Packs are packaged for display or easy storage. Each pack contains 10 fittings unless otherwise noted.

| Product # | Type | Hex Size | Overall Length | Shank Length | Quantity |
|-----------|----------|----------|----------------|--------------|----------|
| B1610-BL | Straight | 7/16" | 11/16" | 19/64" | 10 |
| B1611-B | 30° | 7/16" | 29/32" | 19/64" | 10 |
| B1613-B | 90° | 7/16" | 27/32" | 19/64" | 10 |
| B1627-B | Straight | 9/16" | 7/8" | 27/64" | 5 |
| B1629-B | 67.5° | 9/16" | 31/32" | 11/32" | 5 |
| B1637-B1 | 45° | 3/8" | 13/16" | 13/64" | 10 |
| B1641-B | Straight | 5/16" | 35/64" | 3/16" | 10 |
| B1688-B | 45° | 7/16" | 57/64" | 19/64" | 10 |
| B1911-B1 | 90° | 3/8" | 3/4" | 13/64" | 10 |
| B2103 | Straight | 9 mm | 5/8" | 1/4" | 10 |
| B2105 | 90° | 10 mm | 3/4" | 7/32" | 10 |
| B2106 | Straight | 7 mm | 19/32" | 1/4" | 10 |
| B2108 | 90° | 10 mm | 3/4" | 7/32" | 10 |
| B2109 | Straight | 11 mm | 5/8" | 1/4" | 10 |

FITTING ASSORTMENTS

Multiple Size Assortments - Standard

Alemite Standard Fitting Assortments include a selection of popular standard sized fittings.

FEATURES:

- All Purpose Fitting Assortment (2364-1) includes 2 tools for extracting fittings and rethreading holes
 - B315790 – 1/4"-28 Fitting Tool
 - B315791 – 1/8" PTF Fitting Tool



2364-1



2365-1

| Product # | Description | 1610-BL | 1688-B | 1613-B | 1641-B | 1637-B1 | 1911-B1 | 1611-B | 1612-B |
|-----------|--------------------------------|---------|--------|--------|--------|---------|---------|--------|--------|
| 2398-1 | Vehicle Fitting Assortment | 24 | 12 | 12 | 24 | 12 | 12 | – | – |
| 2364-1 | All Purpose Fitting Assortment | 36 | 12 | 12 | 24 | 12 | 12 | 12 | 12 |
| 2365-1 | Pocket Pack Fitting Assortment | 12 | 6 | 6 | 12 | 6 | 6 | – | – |

Multiple Size Assortments - Metric

Alemite Metric Fitting Assortments include a selection of metric fittings.



2371

| Product # | Description | 2106 | 2107 | 2108 | 2103 | 2105 | 2109 |
|-----------|---------------------------|------|------|------|------|------|------|
| 2371 | Metric Fitting Assortment | 10 | 6 | 6 | 6 | 6 | 10 |

FITTING ACCESSORIES

Header Blocks

Alemite Header Blocks allow hard to reach lubrication points to be connected to fittings by tubing or whip hose.

FEATURES:

- Available with or without fittings
- Configured to serve 3 or 6 lubrication points
- Includes compression fittings for 1/4" tubing



| Product # | Size | Length | Inlet/Outlet Threads | Fittings |
|----------------------|---------|--------|----------------------|----------|
| 6135* | 3-point | 2-3/4" | 1/8" NPTF(f) | 1612-B |
| 6136* | 6-point | 5-3/4" | 1/8" NPTF(f) | 1612-B |
| 42702 ⁽¹⁾ | 3-point | 2-3/4" | 1/8" NPTF(f) | — |
| 42703 ⁽¹⁾ | 6-point | 5-3/4" | 1/8" NPTF(f) | — |

⁽¹⁾ Header block only, fittings not included.

* **⚠ WARNING** California Proposition 65:
Cancer and reproductive harm. www.P65Warnings.ca.gov

Plastic Caps

Plastic Caps protect fittings from corrosion and debris, and are available in red or white color.

| Product # | Color | Quantity per Box |
|-----------|-------|------------------|
| 339630-RD | Red | 100 |
| 339630-WH | White | 100 |

45° Adapters

Alemite Adapters are used to adapt a threaded fitting to a different size opening thread.

| Product # | Thread | Type | Thread (female) |
|-----------|----------------------------------|------|-----------------|
| 310912 | 1/4"-28 Taper Thread (SAE-LT)(m) | 45° | 1/8" NPTF(f) |

Tubing & Connectors

Use Alemite tubing and connectors to ensure proper fit and connections when installing remote lube points.



| Product # | Description |
|------------|----------------------------------|
| 339760 | Push to lock tube fitting |
| 339762-50 | 1/4" Nylon tubing 50 ft |
| 339762-150 | 1/4" Nylon tubing 150 ft |
| 339738 | 1/4" Steel tube fitting 1/8" NPT |
| 339813 | 1/4" Steel tube fitting 1/4" NPT |

Compression Tube Fitting

| Product # | Size | Inlet/Outlet Thread |
|-----------|-------------------|---------------------|
| 328303-42 | 1/4" tube fitting | 1/8" NPTF(f) |

FITTING ACCESSORIES

Fitting Extensions

Alemite Fitting Extensions are used to extend fittings away from a bearing housing.

| Product # | Thread | Hex Size | Effective Thread Length | Overall Length | Shank Length |
|-----------|--|----------|-------------------------|----------------|--------------|
| 43761 | 1/8" NPTF(f) x 1/8" NPTF(m) | 1/2" | 3/16" | 3/4" | 9/32" |
| 43762 | 1/8" NPTF(f) x 1/8" NPTF(m) | 1/2" | 17/64" | 1-1/4" | 11/16" |
| 336551 | 1/4"-28 Taper Thread (SAE-LT)(m) x 1/4"-28 UNF-3B(f) | – | 13/64" | 1-1/4" | 1" |



43762

Straight Adapters

| Product # | Thread | Thread (M / F) | Type |
|-----------|----------------------------------|---------------------|------------------|
| 327033 | 1/4" NPTF(m) | 1/4" NPTF(m) | Straight |
| 130552 | 1/4" NPTF(m) | 1/2" NPTF(m) | Straight |
| 43379 | 1/4" NPTF(m) | 1/2"-27 Taper(m) | Straight |
| 41729 | 3/8" NPTF(m) | 3/8" NPTF(m) | Straight |
| 47703 | 7/16"-27 UNS-2A (m) | 1/2"-27 NS Taper(m) | Straight |
| 44734 | 3/8" NPTF(m) | 1/2"-27 Taper(m) | Straight |
| 51888 | 1/2" NPTF(m) | 1/2" NPTF(m) | Straight |
| 307925 | 1/2" NPTF(m) | 1/2"-27 NS Taper(m) | Straight |
| 42159 | 1/2"-27 NS Taper(m) | 1/2"-27 NS Taper(m) | Straight |
| 43760 | 1/8" NPTF(m) | 1/4" NPTF(f) | Straight |
| 52797 | 3/8" NPTF(m) | 1/2" NPTF(f) | Straight |
| 305859 | 7/16"-27 UNS-2A (m) | 1/8" NPTF(f) | Straight |
| 51942 | 1/4"-28 Taper Thread (SAE-LT)(m) | 1/8" NPTF(f) | Straight |
| 1000-44 | 1/4" NPTF(m) | 1/4" NPSM(f) | Straight, Swivel |
| 1000-88 | 1/2" NPTF(m) | 1/2" NPSM(f) | Straight, Swivel |
| 1012-88 | 1/2" NPTF(f) | 1/2" NPSM(f) | Straight, Swivel |



305859



43760

INDUSTRIAL LUBRICATION FITTINGS

FITTING ACCESSORIES

90° Adapters

Alemite Adapters are used to adapt a threaded fitting to a different size opening thread.

| Product # | Thread | Type | Thread (female) |
|-----------|----------------------------------|-------------|-----------------|
| 51943 | 1/4"-28 Taper Thread (SAE-LT)(m) | 90° | 1/8" NPTF(f) |
| 1001-44 | 1/4" NPTF(m) | 90°, Swivel | 1/4" NPSM(f) |
| 1001-66 | 3/8" NPTF(m) x 3/8" NPTF(f) | 90°, Swivel | 3/8" NPSM(f) |
| 1001-86 | 1/2" NPTF(m) x 3/8" NPTF(f) | 90°, Swivel | 3/8" NPSM(f) |
| 1001-88 | 1/2" NPTF(m) x 1/2" NPTF(f) | 90°, Swivel | 1/2" NPSM(f) |



Plugs

Alemite Plugs close openings where a fitting is no longer required.

| Product # | Description |
|-----------|--|
| 1480 | 1/8" NPTF Square Head |
| 17831 | 1/8" NPTF Hex Socket |
| 170008 | 1/4" NPTF Hex Socket |
| 328224 | 1/4"-28 Taper Thd (SAE-LT) Hex Head |
| 328435 | 1/4"-28 Taper Thd (SAE-LT) Thread Forming Hex Head |



Bushings

Alemite Bushings are zinc plated to resist corrosion.

| Product # | Thread (male) | Thread (female) |
|-----------|---------------|-----------------|
| 45120 | 1/4" NPTF | 1/8" NPTF |
| A112 | 3/8" NPTF | 1/8" NPSI |
| 40996 | 3/8" NPTF | 1/4" NPTF |
| A113 | 1/2" NPTF | 1/8" NPSI |
| 51891 | 1/2" NPTF | 1/4" NPTF |
| 131586 | 1/2" NPTF | 3/8" NPTF |
| 320354 | 1" NPTF | 1/2" NPTF |
| 338552 | 2" NPT | 3/4" NPT |



FITTING ACCESSORIES

Couplers - Hydraulic

Alemite Hydraulic Couplers provide quick, positive and leakproof connection with hydraulic fittings.

| Product # | Thread | Type | Length | Pressure | Other Features |
|-----------|--------------|----------------------|--------|----------------------|-----------------------------------|
| 6304-B | 1/8" NPTF(f) | Standard | – | 10,000 psi (690 bar) | Metal Seal |
| 6304-C | 1/8" NPTF(f) | Standard | – | 10,000 psi (690 bar) | Metal Seal; built-in check valve |
| 308730 | 1/8" NPTF(f) | Narrow | – | 10,000 psi (690 bar) | Rubber Seal |
| 308730-A | 1/8" NPTF(f) | Narrow | – | 10,000 psi (690 bar) | Rubber Seal; built-in check valve |
| B330070 | 1/8" NPTF(f) | Narrow | – | 10,000 psi (690 bar) | Metal Seal; blister packed |
| B154 | 1/8" NPTF(f) | Narrow | – | 10,000 psi (690 bar) | Rubber Seal & 4 Jaw design |
| 322120 | 1/8" NPTF(f) | Narrow | – | 10,000 psi (690 bar) | Rubber Seal; 90° |
| 6509-D | 1/8" NPTF(f) | Standard 360° Swivel | 3-1/2" | 10,000 psi (690 bar) | Metal Seal |
| 6509-E | 1/8" NPTF(f) | Narrow 360° Swivel | 4" | 10,000 psi (690 bar) | Rubber Seal |



6304-B



6509-D

Couplers - Button Head

| Product # | Thread | Type | Pressure | Other Features |
|-----------|-----------------------|------------------|------------------------|--|
| 42030 | 7/16"-27 NS-2(f) | Standard Pull-On | 10,000 psi (690 bar) | – |
| 42030-A | 1/8" NPTF(f) | Standard Pull-On | 10,000 psi (690 bar) | 7/16 - 27 x 1/8" NPT(f) Threaded adapter (305859); Gasket (50679) |
| 42031-A | 1/8" NPTF(f) | Standard Push-On | 10,000 psi (690 bar) | 7/16 - 27(m) x 1/8" NPT(f) Threaded adapter (305859); Gasket (50679) |
| 304300 | 7/16"-27 NS-2(f) | Giant Pull-On | 15,000 psi (1,030 bar) | – |
| 304300-A | 1/8" NPTF(f) | Giant Pull-On | 15,000 psi (1,030 bar) | 7/16 - 27 x 1/8" NPT(f) Threaded adapter (305859) |
| 319702 | 1/4" PTF SAE Short(f) | Giant Pull-On | 15,000 psi (1,030 bar) | – |
| 304301 | 7/16"-27 NS-2(f) | Giant Push-On | 15,000 psi (1,030 bar) | – |



42030

Couplers - Pin Type

| Product # | Thread | Type | Pressure |
|-----------|---------------------------|------|----------------------|
| VB942 | 1/8" NPTF(f) without wing | Pin | 10,000 psi (690 bar) |
| 50491 | 1/8" NPTF(m) with wing | Pin | 10,000 psi (690 bar) |
| 51185 | 1/8" NPTF(f) with wing | Pin | 10,000 psi (690 bar) |



50491

FITTING ACCESSORIES

Couplers - Flush Type Nozzle

| Product # | Thread | Type | Pressure |
|-----------|--------------|----------|----------------------|
| 314150 | 1/8" NPTF(f) | Midget | 10,000 psi (690 bar) |
| Z737 | 1/8" NPTF(f) | Standard | 10,000 psi (690 bar) |

Couplers - Kits

| Product # | Description |
|-----------|----------------------------------|
| 398727 | Standard Button Head Coupler Kit |
| 398726 | Giant Button Head Coupler Kit |

Fitting Tools

Zerk-Mate fitting cleaning tools are a quick, effective way to unplug clogged grease fittings. Light viscosity oil is injected into the plugged joint, loosening grease and allowing new grease to enter, saving the time of replacing fittings and joints. Available in standard and pocket sized models. Easy out fitting tools are used to extract broken fittings, rethread holes, and install new fittings.

| Product # | Description | Thread | Weight |
|-----------|--|----------------------|----------------|
| 339841 | Heavy-Duty Zerk-Mate to unplug fittings | – | 1.5 lb (680 g) |
| 340004 | Pocket-Sized Joint/Fitting Cleaner | – | 8 oz (226 g) |
| B315790 | Easy-out fitting tool to remove and install fittings | 1/4"-28 Taper Thread | 0.2 lb (90 g) |
| B315791 | Easy-out fitting tool to remove and install fittings | 1/8" NPTF | 0.2 lb (90 g) |



Elbow Bodies

Alemite Elbow Bodies change the angle of a fitting to be attached to a bearing.

| Product # | Thread | Angle | Overall Length | Shank Length | Thread Length |
|-----------|--|----------|----------------|--------------------------------------|--------------------------------------|
| 43706 | 1/8" NPTF(f) x 1/8" PTF SAE Short(m) | 90° | 1-1/8" | 17/32" | 17/64" |
| 43716 | 1/8" NPTF(f) x 1/8" PTF SAE Short(m) | 45° | 1" | 7/16" | 7/32" |
| 44701 | 1/8" NPTF(f) x 1/8" PTF SAE Short(m) | 90° | 1" | 7/16" | 7/32" |
| 43718 | 1/8" NPTF(f) x 1/4" PTF(m) | 90° | 1-3/16" | 5/8" | 13/32" |
| 43748 | 1/4" NPTF(f) x 1/4" PTF(m) | 90° | 1-11/32" | 19/32" | 13/32" |
| 369586 | 1/4"-28 Taper Thread SAE-LT(f) x 1/4"-28 UNF-2B(m) | 65° | 45/64" | 1/5" | 19/64" |
| 369594 | 1/4"-28 Taper Thread SAE-LT(f) x 1/4"-28(m) | 45° | 45/64" | 1/5" | 19/64" |
| 306722 | 1/8" NPTF(m) x 1/4" NPTF(m) adapter | Straight | 1-3/16" | 1/4" end -37/64" 1/8" end -25/64" | 1/4" end -13/32" 1/8" end -17/64" |
| 51943 | 1/4"-28(m) Taper x 1/8" NPTF(f) | 90° | 1.03" | 0.22" | 0.110" (minimum) |



AEROSPACE FITTINGS



- ▶ Steel Fittings
- ▶ Monel
- ▶ Stainless Steel

Aerospace and military applications require absolute reliability, durability and performance. Alemite AS Fittings meet the very stringent requirements of SAE AS 35411 standards, including complete documentation and traceability certified from raw materials through production.

STEEL FITTINGS

Alemite Aerospace (AS) Fittings are designed specifically to meet requirements for performance and consistency which are imperative in aircraft and other critical use applications. Alemite AS Fittings meet the stringent requirements of SAE AS 35411, which include performance tests, extensive documentation and complete traceability of materials. The AS 35411 specification supersedes previous Military Specification MIL-F-3541. Look for the Alemite "AS Fitting Notch" on the neck of the fitting.

Zinc Finish



| AS Part # | Alemite Part # | Supersedes MS # | NSN # | Material | Finish | Type | Thread | Boeing Part # | NAS Part# |
|------------|----------------|-----------------|---------------|----------|--------|----------------------|----------------------------|---------------|-----------|
| AS15001-1P | 1641-AS | MS-15001-1 | 4730000504203 | Steel | Zinc | Straight | 1/4"-28 Taper (SAE-LT) | - | - |
| AS15001-2P | 1680-AS | MS-15001-2 | 4730001720001 | Steel | Zinc | Straight, .97" long | 1/4"-28 Taper (SAE-LT) | - | - |
| AS15001-3P | 1637-AS | MS-15001-3 | 4730000504205 | Steel | Zinc | 45° | 1/4"-28 Taper (SAE-LT) | - | - |
| AS15001-4P | 1911-AS | MS-15001-4 | 4730000504207 | Steel | Zinc | 90° | 1/4"-28 Taper (SAE-LT) | - | - |
| AS15002-1P | 1792-AS | MS-15002-1 | 4730001720010 | Steel | Zinc | Straight | 1/4"-28 Taper UNF-2A | - | - |
| AS15002-3P | 1770-AS | MS-15002-3 | 4730001720015 | Steel | Zinc | 45° | 1/4"-28 Taper UNF-2A | - | - |
| AS15003-1P | 1610-AS | MS-15003-1 | 4730000504208 | Steel | Zinc | Straight, .69" long | 1/8"-PTF-SAE Special Short | - | - |
| AS15003-2P | 1607-AS | MS-15003-2 | 4730001720022 | Steel | Zinc | Straight, 1.25" long | 1/8"-PTF-SAE Special Short | - | - |
| AS15003-3P | 1611-AS | MS-15003-3 | 4730001720025 | Steel | Zinc | 30° | 1/8"-PTF-SAE Special Short | - | - |
| AS15003-4P | 1688-AS | MS-15003-4 | 4730001720028 | Steel | Zinc | 45° | 1/8"-PTF-SAE Special Short | - | - |
| AS15003-5P | 1612-AS | MS-15003-5 | 4730001720031 | Steel | Zinc | 65° | 1/8"-PTF-SAE Special Short | - | - |
| AS15003-6P | 1613-AS | MS-15003-6 | 4730001720034 | Steel | Zinc | 90° | 1/8"-PTF-SAE Special Short | - | - |
| AS15006-1P | 1650-AS | MS-15006-1 | 4730001730049 | Steel | Zinc | Straight Leak Proof | 1/8"-PTF-SAE Short | - | - |
| AS15006-2P | 1692-AS | MS-15006-2 | 4730001730052 | Steel | Zinc | 30° Leak Proof | 1/8"-NPTF | - | - |
| AS15006-4P | 1693-AS | MS-15006-4 | 4730001730058 | Steel | Zinc | 90° Leak Proof | 1/8"-NPTF | - | - |



AEROSPACE FITTINGS

STEEL FITTINGS

Zinc Nickel Finish

| AS Part # | Alemite Part # | Supersedes MS # | NSN # | Material | Finish | Type | Thread | Boeing Part # | NAS Part# |
|------------|----------------|-----------------|-------|----------|-------------|---------------------|------------------------|---------------------------|-----------|
| AS15001-1U | 1641-AS1 | – | – | Steel | Zinc Nickel | Straight | 1/4"-28 Taper (SAE-LT) | BACF19F-1LZ | – |
| – | 1984-AS1 | – | – | Steel | Zinc Nickel | Straight | 1/4"-28 Taper (SAE-LT) | BACF19F-1Z | – |
| AS15001-2U | 1680-AS1 | – | – | Steel | Zinc Nickel | Straight, .97" long | 1/4"-28 Taper (SAE-LT) | BACF19F-2LZ/2Z | – |
| AS15001-3U | 1637-AS1 | – | – | Steel | Zinc Nickel | 45° | 1/4"-SAE-LT Taper | BACF19F-3LZ/3Z | – |
| AS15001-4U | 1911-AS1 | – | – | Steel | Zinc Nickel | 90° | 28 Taper (SAE-LT) | BACF19F-4LZ BACF19F-4Z | – |
| AS15002-1U | 1792-ASI | – | – | Steel | Zinc Nickel | Straight | 1/4"-28 (UNF-2A) | – | – |

MONEL

Bright Dipped

| AS Part # | Alemite Part # | Supersedes MS # | NSN # | Material | Finish | Type | Thread | Boeing Part # | NAS Part# |
|-----------|----------------|-----------------|---------------|----------|------------|----------|----------------------------------|------------------------|-----------|
| AS15004-1 | 1966-AS3 | MS-15004-1 | 4730001720040 | Monel | Bright Dip | Straight | 1/4"-28 Taper (SAE-LT) | BACF19G-1L | — |
| AS15004-2 | 1968-AS3 | MS-15004-2 | 4730001720041 | Monel | Bright Dip | 45° | 1/4"-28 Taper (SAE-LT) | BACF19G-2L & BACF19G-2 | — |
| AS15004-3 | 1969-AS3 | MS-15004-3 | 4730001720042 | Monel | Bright Dip | 90° | 1/4"-28 Taper (SAE-LT) | BACF19G-3L & BACF19G-3 | — |
| AS15005-1 | 1961-AS3 | MS-15005-1 | 4730001720043 | Monel | Bright Dip | Straight | 1/8"-PTF-SAE Special Extra Short | — | — |
| AS15005-3 | 1921-AS3 | MS-15005-3 | 4730001720045 | Monel | Bright Dip | 30° | 1/8"-PTF-SAE Special Short | — | — |
| AS15005-4 | 1922-AS3 | MS-15005-4 | 4730001720046 | Monel | Bright Dip | 65° | 1/8"-PTF-SAE Special Short | — | — |
| AS15005-5 | 1923-AS3 | MS-15005-5 | 4730001720047 | Monel | Bright Dip | 90° | 1/8"-PTF-SAE Special Short | — | — |



AEROSPACE FITTINGS

STAINLESS STEEL

Passivated Finish

| AS Part # | Alemite Part # | Supersedes MS # | NSN # | Material | Finish | Type | Thread | Boeing Part # | NAS Part# |
|-----------|----------------|-----------------|---------------|----------|------------|----------|----------------------------------|---------------|-----------|
| AS15720-1 | 1966-AS2 | MS-15720-1 | – | 303 SS | Passivated | Straight | 1/4"-28 Taper (SAE-LT) | – | – |
| AS15720-2 | 1968-AS2 | MS-15720-2 | – | 304 SS | Passivated | 45° | 1/4"-28 Taper (SAE-LT) | – | – |
| AS15720-3 | 1969-AS2 | MS-15720-3 | – | 305 SS | Passivated | 90° | 1/4"-28 Taper (SAE-LT) | – | – |
| AS15721-1 | 1961-AS2 | MS-15721-1 | 4730009725789 | 306 SS | Passivated | Straight | 1/8"-PTF-SAE Special Extra Short | – | – |
| AS15721-3 | 1921-AS2 | MS-15721-3 | – | 307 SS | Passivated | 30° | 1/8"-PTF-SAE Special Short | – | – |
| AS15721-4 | 1922-AS2 | MS-15721-4 | – | 308 SS | Passivated | 65° | 1/8"-PTF-SAE Special Short | – | – |
| AS15721-5 | 1923-AS2 | MS-15721-5 | 4730002013243 | 309 SS | Passivated | 90° | 1/8"-PTF-SAE Special Short | – | – |





FLUID MANAGEMENT SYSTEMS



- ▶ AFCS Enterprise
- ▶ Fluid Guard 2
- ▶ RFC Wireless FCS

Alemite fluid management systems provide flexible, cost-effective options to improve dispensing and inventory management for vehicle service applications. With a range of solutions from simple to advanced, these systems are available in models to suit various shop operations.

AFCS ENTERPRISE FLUID INVENTORY CONTROL SYSTEM

The Alemite AFCS Enterprise fluid inventory control management system and software are designed to accurately track, monitor and dispense fluids in vehicle service applications. This fluid management system utilizes a standard Internet browser to access the software and provides a significant savings by operating up to 50 sites with one server installation.

AFCS Enterprise

Alemite's versatile AFCS Enterprise can adapt to any vehicle service location. Based on an Ethernet network, the system enables fast, easy and 100 percent reliable communication, which is essential when the control system interfaces with a dealer management system. Network connections are easy; simply connect the controller with a Cat 5 or Cat 6 Ethernet cable.

For a stand-alone system, the AFCS Enterprise controller can be wired on its own network; separate from the site's existing network. This facilitates simple deployment and avoids any security concerns.

For a more advanced setup, each AFCS Enterprise controller can be connected over an existing network. The controller has a unique MAC address and IP address that allow the unit to route information over an existing network to the PC running the system. The unit comes preconfigured with a static IP address but can be used in dynamic IP mode if running a DHCP server. This method can save on wiring costs and can help a site maintain complete control of its components.



343530

Alemite AFCS Enterprise software is used with AFCS Enterprise hardware to accurately track, monitor and dispense fluids using your Enterprise dealer management system. The AFCS fluid management system utilizes a standard Internet browser to access the software and can operate up to 50 sites with one server installation, which can provide significant savings.

AFCS Enterprise Software and Support

| Product # | Description |
|-----------|---|
| 343535 | On-site Installation Support – Two days of installation support on-site by SKF team. Distributor/hardware installer must be on-site in case any hardware installation issues occur. |
| 343589 | AssetWorks FA Interface |
| 343590 | AssetWorks M5 Interface |
| 343586 | CDK Interface with 1 year of service and install |
| 343587 | CDK software maintenance (per year) |
| 343591 | Procede Interface |
| 343592 | AFCS Enterprise TMW Interface |
| 343628 | DBS Interface |
| 343629 | DSI Interface |



FLUID MANAGEMENT SYSTEMS

AFCS FLUID INVENTORY CONTROL SYSTEM

AFCS Enterprise Hardware and Components

| Part # | Product | Description |
|------------|--|---|
| 343530 | AFCS Enterprise Controller | Includes 6 pulse inputs, 6 level inputs, and 6 fluid outputs; Has touch screen LCD for configuration; Provides 1 Ethernet switch to connect to network; Works on 110 or 220 AC power |
| 343531 | AFCS Enterprise Ethernet Switch Kit | Kit for the AFCS Enterprise controller; Adds 4 additional Ethernet ports when daisy chaining network controllers; Not to be used to daisy chain more than 10 units together |
| 343537 | Enterprise Software for 1 site | USB storage drive that includes all the software to install on server/PC |
| 343683 | Combo Kit | Fluid Solenoid Valve and Pulse Meter Kit for Oil, Automatic Transmission Fluid (ATF) and Petroleum-Based Fluids |
| 343684 | Combo Kit | Fluid Solenoid Valve and Pulse Meter Kit specialized to use with Antifreeze/Water Mix and Windshield Washer Fluid |
| 343533-100 | Cabling | AFCS Solenoid valve/Pulse Meter cabling 100 ft (30 m) |
| 343533-250 | Cabling | AFCS Solenoid valve/Pulse Meter cabling 250 ft (76 m) |
| 343533-500 | Cabling | AFCS Solenoid valve/Pulse Meter cabling 500 ft (152 m) |
| 343546 | LED Ready Light Assembly | Wires into the combo unit and mounts via a magnet backing |
| 343545 | Air Solenoid | 3/4" NPT |
| 343542 | Air Solenoid | 1/2" NPT |
| 343543 | Air Solenoid | 3/8" NPT |
| 343544 | Air Solenoid | 1/4" NPT |
| 338315 | Fluid Solenoid Valve | Compatible with motor oils (SAE 5-50), gear oils (SAE 80-240), Automatic Transmission Fluid (ATF), Petroleum-Based Fluids, as well as Antifreeze / Water Mix and Windshield Washer Fluid – 1/2" NPTF(f) inlet/outlet, includes manual override and screen |
| 339005 | Pulse Meter | For motor oils (SAE 5-50), gear oils (SAE 80-240), Automatic Transmission Fluid (ATF), and Petroleum-Based Fluids – 1/2" NPTF(f) inlet/outlet |
| 340080 | Pulse Meter | Specialized to use with an Antifreeze / Water Mix and Windshield Washer Fluid – 1/2" NPTF(f) inlet/outlet |
| 343191 | DEF Solenoid Valve | For Diesel Exhaust Fluid (DEF) – 1/2" BSPP inlet/outlet |
| 343192 | DEF Pulse Meter | For Diesel Exhaust Fluid (DEF) – 1/2" BSPP inlet/outlet |
| 343067 | High-Capacity Solenoid Valve | 1" NPTF(f) inlet/outlet 30 gpm (115 lpm) |
| 343068 | High-Capacity Pulse Meter | 1" NPTF(f) inlet/outlet 30 gpm (115 lpm) |
| 343025 | Solenoid Valve Connector | With 3 ft (91 cm) pigtail |
| 343540 | Tank Monitor | Includes 30 ft (9.1 m) cable, mounts in open 3/4" or 2" bung |
| 339277-1 | Pressure Relief Valve | 900 psi (62 bar) max pressure |
| 339277-2 | Pressure Relief Valve | 1400 psi (96 bar) max pressure |
| 339276 | Pressure Relief Valve Installation Kit | Includes 3 ft (91 cm) connecting hose and (2) tee-reducing branches |
| 317813-2 | Medium-Pressure Hose | For Oil, Gear Lube & Antifreeze – Needed on some retrofits from reel to combo unit, 2 ft (61 cm) |
| 321206 | Low-Level Cutoff | For Downtubes – Recommended to prohibit air from getting into line |

(Network wire (CAT 5 or CAT 6) not supplied by Alemite)
1-866-4-ALEMITE (866-425-3648)

FLUID GUARD 2

Alemite's Fluid Guard 2 fluid management system is simple to install and easy to operate. Developed for vehicle maintenance applications, this system can dispense engine oil, transmission fluid, washer fluid, antifreeze and diesel exhaust fluid.

Fluid Guard 2

The Fluid Guard 2 controls one fluid to twelve hose reels or two fluids to six hose reels each. Its touchscreen LCD recalls the last three entries and allows the operator to set three favorites for a total of six values that are displayed automatically. Also, the operator can enter specific values for each dispense.

The system requires a pulse meter per fluid at the tank and a fluid solenoid per hose reel or dispense station. One hose can be activated at a time. As a safety feature, an optional air solenoid can be added so that the pump pressure will not push fluid unless the system is activated. This minimizes fluid spills in the event of a hose rupture.



343596

| Product # | Description |
|-----------|--|
| 343596 | Fluid Guard 2 Control Unit |
| 339006 | Air Solenoid Valve |
| 338315 | Solenoid Valve for Petroleum-Based and Aqueous Fluids |
| 339005 | Pulse Meter for Petroleum-Based Fluids |
| 340080 | Pulse Meter for Aqueous Fluids |
| 343191 | Solenoid Valve for Diesel Exhaust Fluid (DEF) |
| 343192 | Pulse Meter for Diesel Exhaust Fluid (DEF) |
| 343067 | High-Capacity Solenoid Valve |
| 343068 | High-Capacity Pulse Meter |
| 339318 | Station Ready Light, 24V DC power |
| 339277-1 | Pressure Relief Valve, 900 psi (62 bar) max pressure |
| 339277-2 | Pressure Relief Valve, 1,400 psi (96 bar) max pressure |
| 339276 | Pressure Relief Valve Installation Kit |
| 339007 | Junction Box |

FLUID MANAGEMENT SYSTEMS

RFC PLUS WIRELESS FLUID INVENTORY CONTROL SYSTEM

Alemite’s wireless fluid inventory management systems complement the AFCS Enterprise and Fluid Guard 2 systems. The RFC Plus is for larger shops that need a totally wireless meter, PC reporting and control, and have more dispense points. The meters and keypads utilize a 2.4 GHz mesh network which limits communication problems with other equipment in the facility. All dispenses with the meter are reported and tracked.

The RFC Plus system consists of three core components: wireless meter, dispense keypad, and master keypad. The system has one master keypad, up to 36 dispense keypads, and 250 meters.

FEATURES:

- Manage up to 16 fluids and 99 simultaneous dispense locations with a single system
- Simple installation
 - Attach dispense valves to the hoses
 - Plug the keypads into a standard 120V AC outlet
 - Plug master keypad into a PC
- PC interface for enhanced capabilities and logical network setup
- Mount up to 36 dispense keypads in bays to maximize productivity
- Unlimited job stacking allows technicians to select preloaded repair orders
- Assign special work order number for dedicated oil change bays allowing monitored after-hours fluid dispensing
- Totally wireless communication directly between keypads and dispense valves
- Field replaceable AA batteries in meters
- 250 unique operation IDs and PIN numbers
- Each dispense keypad supports up to 24 meters for a total of 250 meters
- Uses direct sequence spread spectrum 2.4 GHz RF technology to prevent communication problems with other facility equipment
- Dispenses in pints, quarts, gallons or liters
- Control of portable fluid tanks
- Antenna extension kit allows keypad antenna to be mounted in location up to 30 feet (9 meters) from keypad to eliminate potential obstructions



343314

| Product # | Description |
|-----------|--|
| 343314 | RFC Plus master keypad – 2.4 GHz unit used to bridge the connection between the PC and dispense keypad(s) which includes the PC software |
| 343312 | RFC Plus dispense keypad – 2.4 GHz unit used by technicians to initiate the dispense |
| 3580-B | 2.4 GHz wireless meter with flexible extension |
| 3580-A | 2.4 GHz wireless meter with rigid extension |
| 393810-11 | 30 ft (9 m) Antenna extension kit |

RFC WIRELESS FLUID INVENTORY CONTROL SYSTEM

The RFC system is a basic system consisting of meters and a keypad. The system has one centralized keypad that supports 30 meters and has an internal ticket printer.

FEATURES:

- Totally wireless communication between keypad and dispense valve
- Simple installation
 - Attach dispense valves to hoses
 - Plug the keypad into a standard 120V AC outlet
 - Plug master keypad into a PC
- Supervisor and operator levels of security let you decide who can use, program and monitor the system
- Manage up to eight fluids and 30 simultaneous dispense meters with a single system
- Built-in ticket printer delivers a written record for each transaction
- 49 unique operation IDs and PIN numbers
- Uses direct sequences spread spectrum 2.4 GHz RF technology to prevent communication problems with other equipment in the facility
- Dispenses in pints, quarts, gallons or liters
- Field replaceable AA batteries in meters
- Control of portable fluid tanks
- Antenna extension kit allows keypad antenna to be mounted in locations up to 30 feet (9 meters) from keypad to eliminate potential obstructions



343313

3580-A

| Product # | Description |
|-----------|--|
| 343313 | RFC standalone keypad with ticket printer, does not use a PC – 2.4 GHz unit |
| 3580-B | 2.4 GHz wireless meter with flexible extension for all fluid types |
| 3580-A | 2.4 GHz wireless meter with rigid extension for all fluid types; good for antifreeze mixture |
| 393810-11 | 30 ft (9 m) Antenna extension kit |

FLUID HANDLING EQUIPMENT



- ▶ Drains
- ▶ Extractors
- ▶ Dispensers
- ▶ Diaphragm Pumps
- ▶ Accessories

Constructed of high grade materials, Alemite Fluid Handling Equipment provides efficient, cost effective solutions to remove and store used fluids, and to dispense fresh oil. Their safe and dependable operation contribute to a clean, efficient operating environment.

LOW-PROFILE DRAIN

Designed for use with trucks and recreational vehicles, Alemite's Low-Profile Truck Drain collects fluid without the need for a lift or jack. This simple-to-use drain quickly and easily rolls under the vehicle to catch fluids such as engine coolant, transmission coolant, transmission fluid and engine oil.

Low-Profile Truck Drain (8597)

FEATURES:

- 20 gallon (75 liter) capacity
- Durable, welded construction
- Low-profile design fits underneath vehicles
- Internal baffles and 2 inch lip reduce splashing
- Removable metal screen keeps out parts and debris
- Three-wheel design for easy handling
- Solid wheels are sized for maneuverability on uneven shop floors
- Extended T-handle for convenient movement
- Two ¾" NPT drain ports; one for evacuation by gravity and one for evacuation by external pump

**8597**

FLUID HANDLING EQUIPMENT

DRAINS

Alemite Drains are designed to safely capture used product and transfer the fluids to storage containers.

Pressurized Portable Drain (8587-1*)

FEATURES:

- 24 gallon wheel mounted tank
- 23" swivel mounted bowl
- Built in evacuation hose
- Gauge indicates when tank is full
- High quality steel construction
- Recommended accessory – ¼" Air Regulator with Gauge (7604-B)



8587-1

***WARNING**
California Proposition 65:
Cancer and reproductive harm.
www.P65Warnings.ca.gov



8592

Pump-Assist Portable Drain (8592)

FEATURES:

- 26 gallon high-strength polyethylene reservoir
- 18" diameter offset bowl with removable filter screen
- Integrated recesses for tool and used filter storage
- Mounted on two 4" swivel casters and two 10" fixed-axle wheels
- Built-in fluid level sight gauge
- ¾" male camlock connector extends from top for connection to external pump system

Portable Drain (8586)

FEATURES:

- Mounts directly to a 16 gallon drum (338550, not included)
- Cover mounted drain with telescoping tube, and built in ¾" cam lock adapter
- Suction tube for evacuation, including screen to prevent large articles from contaminating pump
- Float gauge indicates when drum is full
- Sturdy steel dolly



8586

Portable Drain with Drum (8586-A)

FEATURES:

- Mounts directly to a 16 gallon drum (included)
- Cover mounted drain with telescoping tube, and built in ¾" cam lock adapter
- Suction tube for evacuation, including screen to prevent large articles from contaminating pump
- Float gauge indicates when drum is full
- Sturdy steel dolly



8586-A

EXTRACTORS

Alemite's Portable Oil Extractor provides a safe, economical way to empty fluids from engine crankcases using air pressure.

Portable Oil Extractor (8588)

FEATURES:

- Large 24 gallon wheel mounted tank reduces trips to waste container
- Pressure relief valve to prevent over pressurization
- 6 suction wands with convenient storage caddy
- Recommended accessory – ¼" Air Regulator with Gauge (7604-B)



8588

DISPENSERS

Alemite's Pressurized Oil Dispensers safely and conveniently deliver oil to engine crankcases, transmissions and differentials.

Pressurized Oil Dispenser

Pressurized Oil Dispenser (8589*)

Pressurized Oil Dispenser with Meter (8589-A)

FEATURES:

- 17 gallon tank
- 79" clear dispensing hose
- Valve, air pressure gauge, pressure relief valve and fluid level gauge
- Recommended accessory – ¼" Air Regulator with Gauge (7604-B)
- Meter (3671-B) included for Product 8589-A Only.



8589-A

*⚠ WARNING

California Proposition 65:
Cancer and reproductive harm. www.P65Warnings.ca.gov

DIAPHRAGM PUMPS

Evacuation Kits

Alemite offers three new diaphragm pump systems to evacuate fluids from portable used fluid drains and collection equipment and transfer it to remote storage containers. The kits are ideal for use in automotive service and fleet maintenance shops where used fluids such as motor oil, transmission fluid and coolant are commonly changed. Each system features an air-operated, double-diaphragm pump, all recommended air supply, fluid extraction and fluid discharge fittings, components and accessories. An optional wall-mount bracket also is available.

FEATURES:

- Corrosion-resistant aluminum
- Kit includes fittings, valves, hoses and other components required for compressed air connection, fluid collection and discharge
- Cam-lock-style connection adapts to virtually any type of drain



8595-A

| Product # | Description | Pump | Discharge Hose | Suction Hose Connection | Air Inlet |
|-----------|---|--------|----------------|-------------------------|-----------|
| 8595-A | Evacuation Kit (1") with non-UL-listed pump | 8323 | 3/4" NPTF(m) | 3/4" Cam-lock (f) | 3/8" NPTF |
| 8595-B | Evacuation Kit (1") with UL-listed pump | 8325 | 3/4" NPTF(m) | 3/4" Cam-lock (f) | 3/8" NPTF |
| 8595-C | Evacuation Kit (1/2") with non-UL-listed pump | 8322-A | 3/4" NPTF(m) | 3/4" Cam-lock (f) | 1/4" NPTF |

Optional Components

Though the kits include all items necessary for a typical installation, components may be required to adapt the systems to specific applications and are available from Alemite by separate purchase.

| Product # | Description |
|-----------|---|
| 343261 | Cam-lock Connector with 3/4" NPTF(f) Thread |
| 343262 | Cam-lock Connector with 3/4" NPTF(m) Thread |
| 343274 | 3/4" Check Valve |
| 338564 * | 3/4" Ball Valve |
| 343283 | Mounting Bracket (Pump) |



343261



343262



343283



343274



338564

* **WARNING** California Proposition 65: Cancer and reproductive harm.
www.P65Warnings.ca.gov

ACCESSORIES

Drums

Waste Oil Drum (338550)

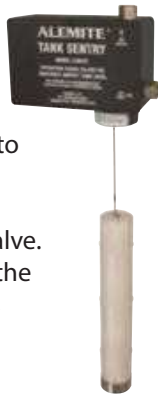
FEATURES:

- 16 gallon capacity
- 2" NPTF opening on top and side of container
- For use with Alemite Portable Drain (8586)

Tank Overfill Alarms

Tank Sentry (340078)

The Alemite Tank Sentry is a valve used to prevent used oil spills due to overfilling storage tanks. Operating air to the evacuation pump passes through the valve. When the storage tank is full, a float on the valve rises and air supply to the pump is stopped.



Wands and Hoses

Suction Wand Kit (338557)

FEATURES:

- (4) 15" flexible wands (3/16", 1/4", 3/8", 1/2")
- Use with Alemite Portable Oil Extractor (8588)

Evacuation Hose Kits (338554 *)

FEATURES:

- 3/4" x 6 ft hose
- Ball valve cam lock
- Use with Alemite Portable Drains (8586, 8586-A)

Strainers

3/4" NPT Strainer (338685)

1" NPT Strainer (339683)

Alemite Strainers may be used with any Alemite drain, to help prevent contamination of evacuation pumps.

4-Way Evacuation Valves

Alemite 4-Way Evacuation Valves simplify extraction and discharge of waste oil fluid, hydraulic, gear and engine oil and automatic transmission fluid.



1" Evacuation Valve (340289-1 *)

FEATURES:

- 5.5" x 5.5" x 4.6"
- 1" NPT connection
- 200 psi operating pressure
- Weight, 6.6 Lb.

1-1/2" Evacuation Valve (340289-2 *)

FEATURES:

- 5.5" x 5.5" x 4.6"
- 1-1/2" NPT connection
- 200 psi operating pressure
- Weight, 6.6 lb.

2" Evacuation Valve (340289-3)

FEATURES:

- 6" x 6" x 4.6"
- 2" NPT connection
- 200 psi operating pressure
- Weight, 7.8 lb.

* **WARNING**

California Proposition 65:
Cancer and reproductive harm. www.P65Warnings.ca.gov



DIESEL FUEL & DIESEL EXHAUST FLUID



- ▶ DEF Pump Systems
- ▶ DEF Diaphragm Pumps
- ▶ DEF Hose Reel
- ▶ DEF Accessories
- ▶ Diesel Fuel Transfer Pump

Alemite offers a Diesel Exhaust Fluid (DEF) Dispensing System for shops servicing heavy-duty diesel vehicles. Engineered for efficiency and reliability, Alemite's DEF pump systems and reels provide superior performance and long service life at an affordable price. Alemite has also added a fuel transfer pump to quickly transfer diesel, kerosene or mineral spirits.

DEF PUMP SYSTEMS

Alemite's line of systems and equipment for diesel exhaust fluid (DEF) includes 1/3 hp DEF Pump System, 110-120 V AC Centrifugal Pumps and 12 V DC Pumps for closed drums and totes, Pneumatic and Electric Pumps for standard 2 in. (5.1 cm) bung containers, 1/2 in. (12.7 mm) Air-Operated Diaphragm Pumps and accessories.

Electric Pump Systems for Drums & Totes

FEATURES:

- Self priming; easy set up and start up, minimizing chance of operator error
- High operating efficiency; up to 7 gpm (26.5 lpm) fill rate, quickly servicing each vehicle
- Lightweight ergonomic design
- Built-in handle, quickly change empty drum/tote with minimal effort
- High quality components
- Reliability and long service life in the heavy duty shop

INCLUDED ITEMS (343183 and 343185):

- Nozzle - Stainless Steel; Auto shut off
- Delivery Hose - 20 ft (6.1 m) x 3/4" (19.1 mm)
- Suction Hose - 18" (45.7 cm) x 3/4" (19.1 mm) ID with 343183
- Suction Hose - 36" (91.4 cm) x 3/4" (19.1 mm) ID with 343185
- Mounting Plate - Stainless Steel (SS) with integrated nozzle holder



343183

| Product # | HP | Voltage | Watts | Drum ⁽¹⁾ | Tote ⁽¹⁾ | Flow rate | Mobile cart |
|-----------|-----|---------|-------|-----------------------|---------------------|------------------------|------------------|
| 343183 | 1/3 | 115/60 | 600 | 55 gallon (208 liter) | 275/330 | up to 7 gpm (26.5 lpm) | N |
| 343185 | 1/3 | 115/60 | 600 | 55 gallon (208 liter) | 275/330 | up to 7 gpm (26.5 lpm) | Y ⁽²⁾ |

⁽¹⁾ Not included in package

DEF PUMP SYSTEMS

110-120 V AC Pump Systems

FEATURES:

- “Smart Start” technology turns pump on/off with DEF flow demand
- CSA, UL listed
- Stainless Steel pump body
- Outstanding suction capability/self priming
- Thermal and current overload protection
- 20 ft (6.1 m) delivery hose with stainless steel nozzle
- Suction hose



343109



343111



343138

| Product # | Description |
|-----------|---|
| 343109 | Centrifugal pump package for 55 gallon (208 liter) drum - smart start |
| 343110 | Centrifugal pump package for 275 - 330 gallon (1,040 - 1,247 liter) tote - manual start |
| 343111 | Centrifugal pump package for 275 - 330 gallon (1,040 - 1,247 liter) tote - smart start |
| 343138 | Centrifugal pump package for 55 gallon (208 liter) drum - smart start - drum cart |
| 8422 | Bare centrifugal pump - smart start |
| 8430 | Bare pump |

DEF PUMP SYSTEMS

12 V DC Pump Systems

FEATURES:

- Ideal for mobile mounting and power by vehicle electric power supply
- 20 ft (6.1 m) delivery hose with stainless steel nozzle



343102

| Product # | Description |
|-----------|--|
| 343101 | 12 V DC Pump Package for 55 gallon (208 liter) drums |
| 343102 | 12 V DC Pump Package for totes |
| 343139 | 12 V DC Pump Package for 55 gallon (208 liter) drums |
| 8423 | Bare 12 V DC Pump |

IMPORTANT

Meters and closed system couplers sold separately (see Accessories on page 157).
Drums and totes not included, furnished by DEF supplier.

DEF DIAPHRAGM PUMPS

Air Operated Diaphragm Pump (8322-C)

Alemite's Standard ½" (12.7 mm) Polypropylene / Polytetrafluoroethylene (PTFE) Air Operated Diaphragm Pump can be used for installed systems to service overhead reels.

FEATURES:

- ½" NPT fluid inlet / outlet
- ¼" NPT air inlet
- 14 gpm free delivery
- Materials meet ISO / DIN standards for dispensing DEF



RELATED ACCESSORIES:

- Universal Diaphragm Pump Bracket (343172)

IMPORTANT

Meters sold separately (see Accessories).

DIESEL FUEL & DIESEL EXHAUST FLUID

DIESEL FUEL TRANSFER PUMP

Alemite has added the durable Model 3400 Fuel Transfer Pump to its line of quality pumps. This versatile pump is designed for use in agricultural, construction, fleet and other mobile applications. The 12 V DC Model 3400 quickly transfers fluid from mobile or stationary fuel tanks to vehicles and equipment at a flow rate of 15 gallons (57 liters) per minute.

Fuel Transfer Pump

FEATURES:

- Self-priming pump with overload protection
- 30 minute duty cycle
- Standard 2" NPT bung fits most tanks and barrels
- Cast-iron pump with low-friction composite polymer vanes
- Built-in cylinder strainer
- Compatible with diesel, kerosene, and mineral spirits (Not for use with gasoline)

INCLUDED ITEMS:

- 13 ft (4 m) heavy duty anti-static hose
- No spark, aluminum dispensing nozzle
- High-flow 1" (25.4 mm) inlet and outlet pump
- 18 ft (5.5 m) heavy gauge cable with durable battery clamps
- Unique three piece telescoping down tube
- 360 degree locking bung
- Heavy duty switch that is padlocked compatible

RELATED PRODUCTS:

- Filter kit (34850)
- Filter head (34851)
- Spin-on cartridge filter (34852)



3400



34852



34851

| Product # | Flow Rate | Voltage | Inlet | Outlet | Power Cord | Hose | Duty Cycle |
|-----------|-------------------|---------|--------|--------|---------------|----------------------------|------------|
| 3400 | 15 gpm (56.7 lpm) | 12 V DC | 1" NPT | 1" NPT | 18 ft (5.5 m) | 13 ft x 3/4" (4 m x 19 mm) | 30 minute |

IMPORTANT

Not for use with gasoline.



DEF HOSE REEL

Alemite's heavy duty hose reels deliver Diesel Exhaust Fluid (AUS32, Aqueous Urea Solution) in two reel capacities - 30 - 50 ft (9.1 - 15.2 m). Specifically designed for DEF systems, the reels are engineered to perform better, last longer and are safer to maintain and operate. Reels can be mounted overhead, on a wall, floor or tank.

Hose Reel

FEATURES:

- Temperature range: -15 to 250 °F (-26 to 151 °C)
- Easily adjustable guide arm
- Spring powered and self-retracting
- Ratchet type latch
- Gasket-sealed spring case
- Durable powder coat finish
- Balanced-pressure swivel
- Stainless steel shaft and swivel sealed with FKM o-rings
- Heavy-gauge steel construction
- Adjustable hose stop



8072-B

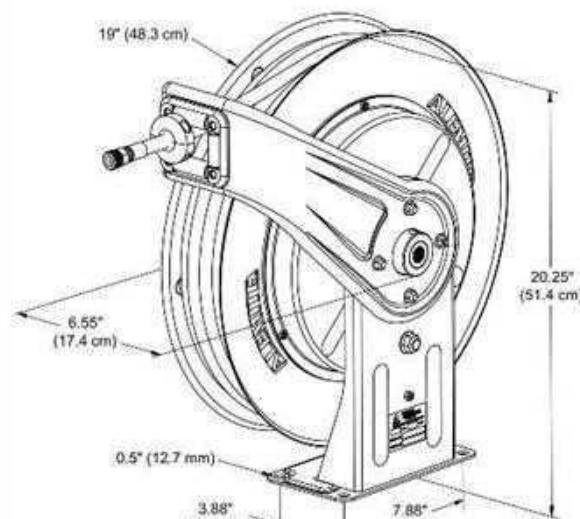
INCLUDED ITEMS

- Delivery Hose
- Hose Stop

RELATED PRODUCTS AND ACCESSORIES:

- 2 ft. (0.6 m) connecting DEF Hose (343143-2)
- Stainless Steel 1/2" (13 mm) BSPP female x 3/4" (19.1 mm) BSPP male adapter (343196)
- 30 ft. (9 m) DEF Hose Assembly (393539-157)
- 50 ft. (15 m) DEF Hose Assembly (393539-158)

| Product # | Max Pressure | Delivery Hose | | | Reel Inlet | Weight |
|-----------|------------------|-----------------|------------|-----------|------------|---------------|
| | | Specification | Part # | Outlet | | |
| 8072-B | 300 psi (20 bar) | 1/2" ID x 50 ft | 393539-158 | 1/2" BSPP | 1/2" BSPP | 50 lb (23 kg) |



GF Plant Spares Ltd
 M: 086-253-2715
www.gfplantspares.com

DEF ACCESSORIES

Flow Meters

FEATURES:

- In-line style
- Accurate to ±1%
- Repeatable to 0.2%
- Can be calibrated



| Product # | Description |
|-----------|---|
| 8424 | Fluid meter only - inlet/outlet threads: 1" BSPP(m) |
| 343120 | Flow Meter Swivel M//M, 3/4" x 1" |
| 343121 | Flow Meter Hose Barb, 1" x 3/4" |
| 343122 | Flow Meter Kit - Includes 8424, 343120, 343121 |
| 343124 | DEF Stainless Steel Automatic Shut-Off Nozzle |
| 343125 | Stainless Steel Swivel |

Closed System Couplers

FEATURES:

- Three styles for the popular drum / tote connections
- Barbed for connection to the standard suction hoses



| Product # | Description |
|-----------|---|
| 343140 | For Micro Matic EPV, Twist Lock Connection - stainless steel |
| 343141 | For Micro Matic RSV, Lever Actuated CamLock - stainless steel |
| 343142 | For Colder Drum Quik PRO-Polypropylene |

Hoses

FEATURES:

- Specified for DEF dispensing
- Wetted tube-sulfur free EPDM rubber
- Outer reinforced synthetic fiber with EPDM cover

| Product # | Description |
|-----------|--------------------------------|
| 343123-1 | 3 ft (0.9 m) DEF Hose, 3/4" ID |
| 343123-2 | 4 ft (1.2 m) DEF Hose, 3/4" ID |
| 343123-3 | 10 ft (3 m) DEF Hose |
| 343123-4 | 20 ft (6 m) DEF Hose |
| 343143-2 | DEF Hose Assembly |



343138

DIESEL FUEL & DIESEL EXHAUST FLUID



COMPRESSED AIR COMPONENTS



- ▶ Filters, Regulators and Lubricators
- ▶ Accessories

Pneumatic equipment requires a clean, controlled air supply to work at the highest efficiency. Alemite Compressed Air Components help ensure that your Alemite lubrication systems operate at a high standard, with minimal down time for repair due to poor air quality.

FILTERS, REGULATORS AND LUBRICATORS

Alemite Compressed Air Components allow you to accurately and reliably regulate, clean, dry and lubricate the air going into your system. These high quality components improve productivity by reducing the risk of down time due to poor quality air supply. Alemite offers a variety of packages and individual filters, gauges, regulators and lubricators, allowing you to choose the best option to meet your need.

Filter and Regulator Packages

Alemite Filter and Regulator Packages include the filter, moisture separator with auto drain, air regulator and air gauge, along with required connecting hardware.



338860

| Product # | Max Inlet Pressure | Inlet/Outlet | Max Regulated Pressure | Moisture Separator | Regulator and Gauge | Connector (2 each) | Auto-Drain | Weight |
|-----------|--------------------|--------------|------------------------|--------------------|---------------------|--------------------|------------|-----------------|
| 338860 | 250 psi (17 bar) | 1/4" NPTF(f) | 125 psi (9 bar) | 5644-2 | 7604-B | 327033 | 343303 | 2.8 lb (1.3 kg) |
| 338862 | 250 psi (17 bar) | 1/2" NPTF(f) | 125 psi (9 bar) | 386295-1 | 7608-B | 51888 | 343303 | 4.0 lb (1.8 kg) |

Regulators

Constant regulated pressure prevents damage to air operated equipment. Alemite regulators include a pressure relief feature which bleeds off excess pressure when adjustment to lower pressure occurs. Strainer is included with each regulator.



7606-B

| Product # | Max Inlet Pressure | Inlet/Outlet | Max Regulated Pressure | Pressure Gauge | Air Gauge Inlet | Weight |
|-----------|--------------------|--------------|------------------------|----------------|-----------------|------------------|
| 7604-B* | 300 psi (21 bar) | 1/4" NPTF(f) | 125 psi (9 bar) | 323449-4 | 1/4" NPT(m) | 2.3 lb (1.0 kg) |
| 7604-1* | 300 psi (21 bar) | 1/4" NPTF(f) | 125 psi (9 bar) | – | – | 2.1 lb (0.95 kg) |
| 7606-B* | 300 psi (21 bar) | 3/8" NPTF(f) | 125 psi (9 bar) | 323449-4 | 1/4" NPT(m) | 2.3 lb (1.0 kg) |
| 7606-1* | 300 psi (21 bar) | 3/8" NPTF(f) | 125 psi (9 bar) | – | – | 2 lb (0.91 kg) |
| 7608-B* | 300 psi (21 bar) | 1/2" NPTF(f) | 125 psi (9 bar) | 323449-4 | 1/4" NPT(m) | 3.5 lb (1.6 kg) |
| 7608-1* | 300 psi (21 bar) | 1/2" NPTF(f) | 125 psi (9 bar) | – | – | 3.2 lb (0.91 kg) |
| 7612-B* | 250 psi (17 bar) | 3/4" NPTF(f) | 125 psi (9 bar) | 323449-4 | 1/4" NPT(m) | 6.3 lb (2.9 kg) |
| 7616-B* | 250 psi (17 bar) | 1" NPT | 125 psi (9 bar) | 323449-4 | 1/4" NPT(m) | 6.3 lb (2.9 kg) |
| 7624-A | 300 psi (21 bar) | 1/4" NPTF(f) | 125 psi (9 bar) | 391421 | 1/8" NPT(m) | 2 lb (0.91 kg) |

*  **WARNING** California Proposition 65: Cancer and reproductive harm. www.P65Warnings.ca.gov

FILTERS, REGULATORS AND LUBRICATORS

Filter/Regulators

Alemite Filter/Regulators are ideal when space is limited. These units offer combined construction, efficiently cleaning and drying air in a compact space.



7936



7504-1

| Product # | Max Inlet Pressure | Inlet/Outlet | Gauge | Airflow @ 90 psi (6 bar) | Bowl Capacity | Operating Temperature | Weight |
|-----------------------|--------------------|--------------|--------|--------------------------|-----------------------------|---------------------------|------------------|
| 7936* | 150 psi (10 bar) | 1/4" NPTF(f) | 391421 | – | 1 oz (28 g) - Polycarbonate | 32°F - 125°F (0°C - 52°C) | 0.6 lb (0.27 kg) |
| 7504-1 ⁽¹⁾ | 250 psi (17 bar) | 1/4" NPT | – | 30 cfm | 2 oz (57 g) - Metal | 32°F - 125°F (0°C - 52°C) | 1.6 lb (0.72 kg) |
| 7506-1 ⁽¹⁾ | 250 psi (17 bar) | 3/8" NPT | – | 40 cfm | 2 oz (57 g) - Metal | 32°F - 125°F (0°C - 52°C) | 1.8 lb (0.82 kg) |
| 7508 ⁽¹⁾ | 250 psi (17 bar) | 1/2" NPT | – | 90 cfm | 7.2 oz (204 g) - Metal | 32°F - 175°F (0°C - 52°C) | 4.3 lb (1.95 kg) |

⁽¹⁾ Can use auto drain (343303) and gauges (343449-4 or 339948)

* **⚠ WARNING** California Proposition 65: Cancer and reproductive harm. www.P65Warnings.ca.gov

Air Pressure Gauges

Alemite Air Pressure Gauges accurately indicate air pressure being applied to air operated equipment.



323449-4

| Product # | Dial Range | Connection Location | Connection Thread | Weight |
|-----------------------|--------------------------|---------------------|-------------------|------------------|
| 323449-4 | 0 - 200 psi (0 - 14 bar) | Back | 1/4" NPTF(m) | 0.3 lb (0.14 kg) |
| 339948 | 0 - 160 psi (0 - 11 bar) | Back | 1/4" NPTF(m) | 0.3 lb (0.14 kg) |
| 391421 ⁽¹⁾ | 0 - 160 psi (0 - 11 bar) | Back | 1/8" NPTF(m) | 0.3 lb (0.14 kg) |

⁽¹⁾ Shown on above Filter/Regulator (7936)

FILTERS, REGULATORS AND LUBRICATORS

Filters

Alemite Filters provide 2 stage filtration, removing condensation and foreign material with minimal pressure drop. Metal bowl construction for durability, and built in sight glass to easily see condensate level.



5608-3

| Product # | Max Inlet Pressure | Inlet/Outlet | Air Flow @ 90 psi (6 bar) Inlet Pressure | Bowl Capacity | Max Operating Temperature | Required Automatic Drain | Weight |
|-----------|--------------------|--------------|--|------------------|---------------------------|--------------------------|-----------------|
| 5604-3 * | 250 psi (17 bar) | 1/4" NPTF(f) | 53 cfm | 4.4 oz (124.7 g) | 175 °F (79 °C) | 343303 | 1.4 lb (0.6 kg) |
| 5606-3 * | 250 psi (17 bar) | 3/8" NPTF(f) | 80 cfm | 4.4 oz (124.7 g) | 175 °F (79 °C) | 343303 | 1.4 lb (0.6 kg) |
| 5608-3 * | 250 psi (17 bar) | 1/2" NPTF(f) | 85 cfm | 4.4 oz (124.7 g) | 175 °F (79 °C) | 343303 | 1.1 lb (0.5 kg) |
| 5612-2 * | 250 psi (17 bar) | 3/4" NPTF(f) | 270 cfm | 16 oz (453.6 g) | 150 °F (65 °C) | B334547-1 | 5.6 lb (2.5 kg) |
| 5616-2 * | 250 psi (17 bar) | 1" NPTF(f) | 350 cfm | 16 oz (453.6 g) | 150 °F (65 °C) | B334547-1 | 6.0 lb (2.7 kg) |
| 5644-2 * | 250 psi (17 bar) | 1/4" NPTF(f) | 50 cfm | 5 oz (141.7 g) | 175 °F (79 °C) | 343303 (Included) | 1.4 lb (0.6 kg) |

* **⚠ WARNING** California Proposition 65: Cancer and reproductive harm. www.P65Warnings.ca.gov

Lubricators

Alemite Lubricators add a regulated amount of lubricant to pressurized air. They feature a single dial control, and handle lubricant viscosities up to 800 SSU at 100 °F. Metal bowl construction for durability, and built in site glass to easily see fluid level.



5908-3

| Product # | Max Inlet Pressure | Inlet/Outlet | Air Flow @ 90 psi (6 bar) Inlet Pressure | Bowl Capacity | Max Operating Temperature | Weight |
|-----------|--------------------|--------------|--|------------------|---------------------------|-----------------|
| 5904-3 * | 250 psi (17 bar) | 1/4" NPTF(f) | 40 cfm | 2.6 oz. (73.7 g) | 175 °F (80 °C) | 1.2 lb (0.5 kg) |
| 5906-3 * | 250 psi (17 bar) | 3/8" NPTF(f) | 60 cfm | 2.6 oz. (73.7 g) | 175 °F (80 °C) | 1.2 lb (0.5 kg) |
| 5908-3 * | 250 psi (17 bar) | 1/2" NPTF(f) | 90 cfm | 2.6 oz. (73.7 g) | 175 °F (80 °C) | 1.2 lb (0.5 kg) |
| 5912-2 * | 250 psi (17 bar) | 3/4" NPTF(f) | 330 cfm | 16 oz (453.6 g) | 150 °F (66 °C) | 6.2 Lb.(2.8 kg) |
| 5916-2 * | 250 psi (17 bar) | 1" NPTF(f) | 350 cfm | 16 oz (453.6 g) | 150 °F (66 °C) | 6.0 lb (2.7 kg) |

* **⚠ WARNING** California Proposition 65: Cancer and reproductive harm. www.P65Warnings.ca.gov

ACCESSORIES

Adapters - Air

| Product # | Thread | Type |
|------------------------|--------------|-----------------------------|
| 307115 | 1/4" NPTF(m) | Adapter for use with 307111 |
| 307116 | 1/4" NPTF(f) | Adapter for use with 307112 |
| 328034 | 1/4" NPTF(m) | Adapter for use with 328030 |
| B328034 ⁽¹⁾ | 1/4" NPTF(m) | Adapter for use with 328030 |
| 328036 | 3/8" NPTF(m) | Adapter for use with 328031 |
| 328033 | 1/2" NPTF(m) | Adapter for use with 328032 |
| 328037 | 3/4" NPTF(m) | Adapter for use with 328032 |

⁽¹⁾ Comes in a blister package

Couplers - Air

| Product # | Thread | Type |
|------------------------|--------------|---|
| 307111 | 1/4" NPTF(m) | Coupler, standard duty |
| 307112 | 1/4" NPTF(f) | Coupler, standard duty |
| 328030 | 1/4" NPTF(f) | Coupler, extra heavy duty standard type |
| B328030 ⁽¹⁾ | 1/4" NPTF(f) | Coupler, extra heavy duty standard type |
| B330604 ⁽¹⁾ | 1/4" NPTF(m) | Coupler, extra heavy duty standard type |
| 328031 | 1/2" NPTF(f) | Coupler, extra heavy duty volume type |
| 328032 | 3/4" NPTF(f) | Coupler, extra heavy duty volume type |

⁽¹⁾ Comes in a blister package

Automatic Drain Mechanism

- Float controlled mechanism automatically discharges captured moisture when the bowl nears capacity
- Fits all Alemite moisture separators



B334547-1

Automatic Drain Mechanism (B334547-1)

- For use with Units 5612-2 and 5616-2

Automatic Drain Mechanism (343303)

- For use with Units 5604-3, 5606-3 and 5608-3

Air Blow Gun

- Meets OSHA standards
- Air inlet 1/4" NPTF(f)



6647

Air Blow Gun (6647)

- In loose packaging

Air Blow Gun (B6647)

- In a blister package



SINGLE POINT LUBRICATORS



- ▶ Grease Lubricators
- ▶ Spring Driven Lubricators

Alemite Single Point Lubricators provide reliable lubrication for single points requiring constant lubrication. Available in grease or oil models, Alemite Single Point Lubricators are self contained and adjustable, and are especially useful for remote or difficult to access lubrication points.

GREASE LUBRICATORS

Easylube®

Alemite's Easylube® Automatic Grease Lubricator is corrosion, dust and moisture resistant, and is easily adjustable to deliver controlled lubrication for up to 12 months.

FEATURES:

- Easily adjust dispensing time and volume – 1 to 12 months
- Long life lithium battery pack (CR-P2 6V, 1,300 mah)
- Refillable reservoir can be used repeatedly
- Warning light flashes to indicate low grease supply or grease blockage
- Can be installed up to 15 feet (4.6 m) from lubrication point, to serve hard to reach areas
- UL rated for Class 1, Division 2, Groups B, C and D: Class II, Division 2, Groups F & G hazardous locations
- Body's heat resistance 10 to 194 °F (-12 to 90 °C)
- Dimensions: 6" x 3.3" (152 mm x 84 mm)
- Connection Thread: ½" NPT(m)
- Available as a single unit or in packs of 10



1746-151

RECOMMENDED ACCESSORIES:

- Refill Positioning Cover (339589)
- Refill Nipple ½" PT(f) (339590)

| Product # | Description | Capacity | Temperature Range | Pressure Ratings (psi) | Weight |
|-----------|--|--------------|-----------------------------|------------------------|-------------------|
| 1746-151 | Easy Lube Automatic Lubricator | 5 oz (142 g) | -5 to 140 °F (-20 to 60 °C) | 75 psi (5 bar) | 1.6 lb (0.72 kg) |
| 1746-151X | Easy Lube Automatic Lubricator (Package of 10) | 5 oz (142 g) | -5 to 140 °F (-20 to 60 °C) | 75 psi (5 bar) | 16.2 lb (7.34 kg) |

OPTIONAL ACCESSORIES:

- Accessories for easy installation of Easylube® Single Point Lubricators

| Product # | Description | Weight |
|-----------------------|---|------------------|
| 339588 | Refillable Grease Cup PT 1/2" (m) | 0.2 lb (0.09 kg) |
| 339589 ⁽¹⁾ | Refill Grease Positioning Cover | 0.1 lb (0.05 kg) |
| 339590 ⁽¹⁾ | Refill Grease Nipple, 1/2" PT(f) | 0.2 lb (0.09 kg) |
| 339592 | Adapter, Straight, 1/2" (f) x 1/8" (m) | 0.1 lb (0.05 kg) |
| 339594 | Adapter, Straight, 1/2" (f) x 1/4" (m) | 0.1 lb (0.05 kg) |
| 339596 | Adapter, Straight, 1/2" (f) x 3/8" (m) | 0.1 lb (0.05 kg) |
| 339598 | Remote mounting bracket for 6 mm metal tubing | 0.5 lb (0.23 kg) |
| 339600 | Adapter, Straight, 1/2" (f) x 8 mm (m) | 0.1 lb (0.05 kg) |
| 339603 | Battery Pack, Lithium, 6V | 0.1 lb (0.05 kg) |
| 387390 | Check Valve, 1/4" (f) x 1/4" (m) | 0.8 lb (0.36 kg) |

⁽¹⁾ Recommended accessories

Easylube reference table for setting dispensing time and volume

| Time Setting | Switch (On) | Daily (24 Hrs) | Weekly (7 Days) | Monthly (30 Days) |
|--------------|-------------|-----------------|------------------|-------------------|
| 1 M | 1 | 0.17 oz (4.8 g) | 1.18 oz (33.5 g) | 5.07 oz (143.7 g) |
| 2 M | 2 | 0.08 oz (2.3 g) | 0.59 oz (16.7 g) | 2.54 oz (72.0 g) |
| 3 M | 2+1 | 0.06 oz (1.7 g) | 0.39 oz (11.1 g) | 1.69 oz (47.9 g) |
| 4 M | 4 | 0.04 oz (1.1 g) | 0.30 oz (8.5 g) | 1.27 oz (36.0 g) |
| 5 M | 4+1 | 0.03 oz (0.9 g) | 0.24 oz (6.8 g) | 1.01 oz (28.6 g) |
| 6 M | 4+2 | 0.03 oz (0.9 g) | 0.20 oz (5.7 g) | 0.85 oz (24.1 g) |
| 7 M | 4+2+1 | 0.02 oz (0.6 g) | 0.17 oz (4.8 g) | 0.72 oz (20.4 g) |
| 8 M | 8 | 0.02 oz (0.6 g) | 0.15 oz (4.3 g) | 0.63 oz (17.9 g) |
| 9 M | 8+1 | 0.02 oz (0.6 g) | 0.13 oz (3.7 g) | 0.56 oz (15.9 g) |
| 10 M | 8+2 | 0.02 oz (0.6 g) | 0.12 oz (3.4 g) | 0.51 oz (14.5 g) |
| 11 M | 8+2+1 | 0.02 oz (0.6 g) | 0.11 oz (3.1 g) | 0.46 oz (13.0 g) |
| 12 M | 8+4 | 0.01 oz (0.3 g) | 0.10 oz (2.8 g) | 0.42 oz (11.9 g) |

SINGLE POINT LUBRICATORS

SPRING DRIVEN LUBRICATORS

Alemite Spring Driven Lubricators are a proven, simple method to deliver lubrication.

Visi-Lube Automatic Lubricator

FEATURES:

- Clear plastic allows easy monitoring of grease level
- Refillable through standard hydraulic grease fitting
- Sturdy, 1 piece steel base and core
- Controls grease flow through spring pressure (3 pressure springs included)
- Safety vent prevents overflowing
- Connection Thread: 1/8" NPFT(m)



B1741-A

| Product # | Description | Capacity | Temperature Range | Spring | Pressure Ratings | Color | Weight |
|-----------|-------------|------------------|-----------------------------|-------------|---|--------|------------------|
| B1741-A | Visi-Lube | 1.22 oz (34.6 g) | -40 to 150 °F (-4 to 66 °C) | Extra Heavy | 5.8 psi (0.40 bar) full - 3.6 psi (0.25 bar) empty | Black | 0.5 lb (0.23 kg) |
| | Visi-Lube | 1.22 oz (34.6 g) | -40 to 150 °F (-4 to 66 °C) | Heavy | 4.6 psi (0.32 bar) full - 2.9 psi (0.20 bar) empty | Green | 0.5 lb (0.23 kg) |
| | Visi-Lube | 1.22 oz (34.6 g) | -40 to 150 °F (-4 to 66 °C) | Standard | 3.5 psi (0.24 bar) full - 2.2 psi (0.15 bar) empty | Orange | 0.5 lb (0.23 kg) |

Automatic Pressure Cup

FEATURES:

- Adjustable knob controls lubricant flow
- Tapered metering pin attached to unit piston ensures uniform flow
- Refillable through standard hydraulic grease fitting
- Includes 3 variable pressure springs
- Connection Thread: 1/4" NPFT(m)



43570-A2

| Product # | Description | Capacity | Temperature Range | Spring | Pressure Ratings (psi) | Color | Weight |
|-----------|------------------------|----------------|-----------------------------|-------------|---|--------|------------------|
| 43570-A2 | Automatic Pressure Cup | 1.75 oz (50 g) | -40 to 150 °F (-4 to 66 °C) | Extra Heavy | 14.1 psi (0.97 bar) full - 6.60 psi (0.46 bar) empty | Black | 1.4 lb (0.63 kg) |
| | Automatic Pressure Cup | 1.75 oz (50 g) | -40 to 150 °F (-4 to 66 °C) | Heavy | 8.60 psi (0.59 bar) full - 3.90 psi (0.27 bar) empty | Green | 1.4 lb (0.63 kg) |
| | Automatic Pressure Cup | 1.75 oz (50 g) | -40 to 150 °F (-4 to 66 °C) | Standard | 6.60 psi (0.46 bar) full - 3.10 psi (0.21 bar) empty | Orange | 1.4 lb (0.63 kg) |





LUBRICATION ACCESSORIES



- ▶ Lube Truck Accessories
- ▶ Dollies and Hand Trucks
- ▶ Accessories

Alemite Lubrication Accessories provide safe and efficient options to improve ease of use, workplace safety and productivity.

LUBE TRUCK ACCESSORIES

Alemite lubrication accessories help simplify lubrication processes, improving productivity.

Tie Down Kits

Alemite Tie-Down Kits provide safe mounting of pumps and drums to truck platform or bed.

FEATURES:

- Tie-down rods hook into eye bolt
- Hand-sized knobs provide quick removal of tie-down rod for easy drum changes

| Product # | Drum Size | Use with Cover | Weight |
|-----------|-----------|--------------------------|-----------------|
| 321340 | 120 lb | 338371, 338977, 323800-4 | 7.3 lb (3.3 kg) |
| 334850 | 400 lb | – | 8.8 lb (4.0 kg) |



321340

DOLLIES AND HAND TRUCKS

Alemite Dollies and Hand Trucks provide safe and easy movement of product containers. They are constructed of steel for durability and performance.

Dollies

FEATURES:

- Sturdy, all steel welded construction
- 4 free-swiveling casters for smooth movement



316315-5



336899

| Product # | Drum Size | Diameter | Weight |
|-----------|------------------|----------------|-----------------|
| 316315-5 | 16 gallon/120 lb | 20" (508 mm) | 10 lb (4.5 kg) |
| 336899 | 55 gallon/400 lb | 23.5" (597 mm) | 18 lb (8.2 kg) |
| 336575-B1 | 16 gallon/120 lb | 14.3" (363 mm) | 6.5 lb (2.9 kg) |



336575-B1

DOLLIES AND HAND TRUCKS

Hand Trucks

FEATURES:

- Sturdy steel construction
- Stable base (6777-5)



338958



6777-5

| Product # | Use With | Dimensions | Weight |
|-----------|---|---|-------------------|
| 338958 | 35 lb , 120 lb containers | 25" (63.5 cm) L x 20" (50.8 cm) W x 37.5" (95.3 cm) H | 19.2 lb (8.7 kg) |
| 6777-5* | 7181 and 7149 Series Metal Bucket Pumps | 18" (45.7 cm) width | 29.0 lb (13.1 kg) |

* **WARNING** California Proposition 65: Cancer and reproductive harm. www.P65Warnings.ca.gov

Lube Carts

FEATURES:

- Designed space for hose reel
- Pivoting back wheels for easy moving around corners
- Arm extends to hold control handle or meter
- Pivoting handle to allow operator to manually move the cart, or attach to a motorized cart



340341

| Product # | Load Capacity | Dimensions | Weight |
|-----------|--------------------|-----------------------------------|-----------------|
| 340341 | 55 gallon / 400 lb | 38" (96.5 cm) L x 26" (66.0 cm) W | 89 lb (40.3 kg) |

ACCESSORIES

Additional Accessories

| Product # | Description |
|-----------|--|
| 301980 | Swivel |
| 306586 | Tire Gauge |
| 317850-1 | 12" Whip Hose |
| 321206 | Low Level Shut Off |
| 340062 | Grease Meter Adapter Kit 575 & 585 to use 3530 Series grease gun |
| 340276 | Swivel Assembly For 7371, 7372 |
| 340741 | Switch, Speed Control |
| 391421 | Air Pressure Gauge |
| 41531 | Male Adapter |
| 42763 | Pipe Coupling |
| 42802 | Pipe Coupling |
| 51219 | Swivel |
| 6067-1 | Hi-Lo Adapter |
| 6239 | Push Type Adapter Use B6239 |
| 6278 | Hydraulic Extension |
| 6783 | Adapter, Bulk Packed |
| 7542 | Hose Assembly |
| A908-A | Hose with Pin Coupler |
| B308730 | Coupler |
| B6304-B | Hydraulic Coupler Blister Pack |
| B6304-C | Hydraulic Coupler Blister Pack |
| B6509-D | Swivel Coupler Blister Pack |
| B6509-E | Swivel Coupler Blister Pack |

Additional Hoses

| Product # | Description | Coupling Specification | Hose ID |
|-------------|--------------|------------------------|--------------------|
| 317811-100* | Hose LP | 1/2" x 1/2"(m) | 1/2" |
| 317813-1 | Hose MP | 1/2" x 1/2" (m) | 1/2" |
| 317813-100 | Hose MP | 1/2" x 1/2"(m) | 1/2" |
| 317813-80 | Hose MP | 1/2" x 1/2" (m) | 1/2" |
| 317860-1 | Hose MP | 1/4" x 1/4" (m) | 1/4" x 12" (30 cm) |
| 317882-2 | Hose HP | 3/8" x 3/8" (m) | 3/8" |
| 317898-5 | Hose suction | 3/4" (m) x 1" (m) | 3/4" |

⚠ WARNING California Proposition 65: Cancer and reproductive harm. www.P65Warnings.ca.gov

*

OIL MIST SYSTEMS



- ▶ Oil-Mist Generators
- ▶ High Capacity Oil-Mist Generators
- ▶ Oil-Mist System Components
- ▶ Oil-Mist System Accessories
- ▶ Oil-Mist Nozzle Performance Curves
- ▶ Large Capacity Generator Performance Curves

Alemite oil mist systems are used to service all types of machine elements that require continuous lubrication, such as rolling element bearings and chain drives. These reliable systems have no moving parts, deliver a constant, measured stream of clean, atomized oil and are a cost-effective option for ongoing automatic lubrication.

OIL-MIST GENERATORS

Alemite Oil-Mist Generators provide lubrication for multiple lubrication points or machines.

3920 Series

FEATURES:

- Relief valve provides over-pressure protection
- Clear 1 pint nylon reservoir allows visual inspection of oil-level and mist generation
- Refill loader fitting assures contamination-free oil replenishment – requires manual refill pump (388034)
- Aluminum mist head provides corrosion protection for long trouble-free service
- Oil pick-up screen prevents entrance of contaminants into mist generator



INCLUDES:

- Float switch provides signal when oil replenishment is required
- Filter/regulator adjusts mist generator performance; includes automatic water drain
- Air solenoid valve allows automatic on-off operation when wired to machine driver or control
- Steel mounting plate pre-piped assembly allows quick installation

| Product # | CFM nominal | Flow range | Mounting plate | Oil heater | Oil level switch | Filter/regulator | Air solenoid value |
|-----------|-------------|---------------|----------------|------------|------------------|------------------|--------------------|
| 3922-A | 1 | 0.3 - 1.4 CFM | - | - | - | - | - |
| 3922-AC * | 1 | 0.3 - 1.4 CFM | Yes | - | - | Yes | 120 VAC |
| 3922-B | 1 | 0.3 - 1.4 CFM | - | - | 120 VAC | - | - |
| 3922-BC * | 1 | 0.3 - 1.4 CFM | Yes | - | 120 VAC | Yes | 120 VAC |
| 3922-BD | 1 | 0.3 - 1.4 CFM | Yes | - | 220 VAC | Yes | 220 VAC |

Approximate oil consumption rate = 0.277 x CFM = ounces per hour of operation

*  **WARNING** California Proposition 65: Cancer and reproductive harm. www.P65Warnings.ca.gov

OIL-MIST GENERATORS

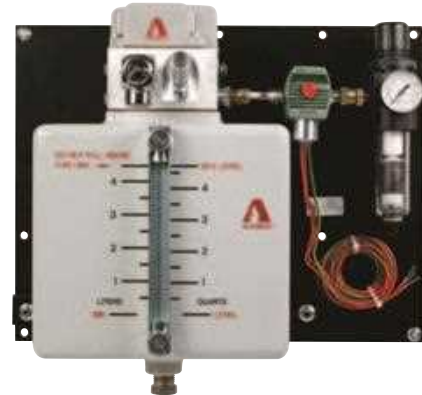
3940 Series

FEATURES:

- Relief valve provides over-pressure protection
- Refill loader fitting assures contamination-free oil replenishment – requires manual refill pump (388034)
- Oil level sight glass provides visual inspection of oil level
- Cast aluminum 1 gallon reservoir baked polyester powder coated for decades of corrosion protection

INCLUDES:

- Float switch (inside the reservoir) provides signal when oil replenishment is required
- Filter/regulator adjusts mist generator performance; includes automatic water drain
- Air solenoid valve allows automatic on-off operation when wired to machine driver or control



| Product # | CFM nominal | Flow range | Mounting plate | Oil heater | Oil level switch | Filter/regulator | Air solenoid value |
|-----------|-------------|---------------|----------------|------------|------------------|------------------|--------------------|
| 3942-BC * | 1 | 0.3 - 1.4 CFM | Yes | - | 120 V AC | Yes | 120 V AC |
| 3942-BD * | 1 | 0.3 - 1.4 CFM | Yes | - | 220 V AC | Yes | 220 V AC |
| 3942-CB * | 1 | 0.3 - 1.4 CFM | Yes | 120 V AC | 120 V AC | Yes | - |
| 3942-CC * | 1 | 0.3 - 1.4 CFM | Yes | 120 V AC | 120 V AC | Yes | 120 V AC |
| 3942-DD * | 1 | 0.3 - 1.4 CFM | Yes | 220 V AC | 220 V AC | Yes | 220 V AC |
| 3943-B | 2.3 | 0.8 - 3.1 CFM | - | - | 120 V AC | - | - |
| 3943-BC * | 2.3 | 0.8 - 3.1 CFM | Yes | - | 120 V AC | Yes | 120 V AC |
| 3943-BD * | 2.3 | 0.8 - 3.1 CFM | Yes | - | 220 V AC | Yes | 220 V AC |
| 3943-CB * | 2.3 | 0.8 - 3.1 CFM | Yes | 120 V AC | 120 V AC | Yes | - |
| 3943-CC * | 2.3 | 0.8 - 3.1 CFM | Yes | 120 V AC | 120 V AC | Yes | 120 V AC |
| 3943-DD * | 2.3 | 0.8 - 3.1 CFM | Yes | 220 V AC | 220 V AC | Yes | 220 V AC |

Approximate oil consumption rate = 0.277 x CFM = ounces per hour of operation

*  **WARNING** California Proposition 65: Cancer and reproductive harm. www.P65Warnings.ca.gov

OIL-MIST GENERATORS

Modular Oil-Mist Lubrication Generators

The Alemite modular oil-mist generators includes a 3 gallon reservoir with clean-out/inspection plate, relief valve, manual oil loader valve, mist pressure gauge, inlet air assembly (filter with auto water drain, regulator and pressure gauge) and oil heater.

INCLUDES:

- Air temperature digital display (optional)
- 3 gallon (usable) oil reservoir
- Control box with switches (optional)
- Manual oil fill loader fitting
- Pressure relief valve
- Air heater (optional)
- Oil level sight glass
- Oil temperature gauge
- Air regulator with gauge
- Air filter with auto water drain
- Internal oil heater
- Internal float switches
- Auto-refill oil solenoid valve (optional)
- Mist pressure gauge

OPTIONAL ACCESSORIES:

- Signal devices
 - Horn
 - Alarm
 - Refill operation
 - Normal
- Automatic refill pump (388415)





OIL MIST SYSTEMS

OIL-MIST GENERATORS

Modular Oil-Mist Lubrication Generators

| Product # ⁽¹⁾ | Voltage | Flow rate |
|--------------------------|---------|-----------|
| 31151-(X) | 115 V | 1 CFM |
| 31152-(X) | 115 V | 2.3 CFM |
| 31154-(X) | 115 V | 4.3 CFM |
| 31159-(X) | 115 V | 9.7 CFM |
| 32301-(X) | 230 V | 1 CFM |
| 32302-(X) | 230 V | 2.3 CFM |
| 32304-(X) | 230 V | 4.3 CFM |
| 32309-(X) | 230 V | 9.7 CFM |

⁽¹⁾ See table at right for ordering various options

| Product description | Versions ⁽¹⁾ | | | | |
|---|-------------------------|---|---|---|---|
| | A | B | C | D | E |
| Basic oil-mist generator with 3 gallon reservoir (Basic mist generator with 3 gallon reservoir with clean-out/ inspection plate, relief valve, manual oil loader valve, mist pressure gauge, inlet air assembly (filter with auto water drain, regulator and pressure gauge) and oil heater (order manual refill pump 388034 separately if indicated)) | • | • | • | • | • |
| Mounting plate | | • | • | • | • |
| Audible and visual alarm lights | | • | • | • | • |
| High/low mist pressure switches | | • | • | • | • |
| NEMA 4 control box | | • | • | • | • |
| Automatic oil refill capability with solenoid valve, filter and switch ⁽²⁾ (3) | | | • | • | |
| Air heater and temperature controller | | | | • | • |

⁽¹⁾ A manual pump (P/N 388034) is required to refill oil reservoir. Sold separately.

⁽²⁾ Does not include pneumatic refill pump

⁽³⁾ Includes 40 micron cleanable oil filter

Approximate oil consumption rate = 0.277 x CFM = ounces per hour of operation

Part Number Configuration Examples:

31159-A

Basic generator with 9.7 CFM nozzle, oil heater and mist pressure gauge only. 115 V AC supplied power.

32304-B

Basic generator with 4.3 CFM nozzle, oil heater, mist pressure gauge, mounting plate, mist pressure switches, alarm lights and NEMA 4 control box. 230 V AC supplied power.

31152-C

Basic generator with 2.3 CFM nozzle, oil heater, mist pressure gauge, mounting plate, mist pressure switches alarm lights and NEMA 4 control box, automatic oil refill capability. 115 V AC supplied power.

OIL-MIST GENERATORS

High Capacity Oil-Mist Generators

FEATURES:

- 3.6 gallon oil reservoir
- Low oil level float switch
- Mist pressure switch (high & low)
- Oil level sight glass
- Air pressure gauge
- Mist pressure gauge
- Oil temperature gauge

OPTIONAL ACCESSORIES

- Alarm annunciator (387275)
 - Required to provide visual/audible alarm signals
- Automatic oil refill kit (385789)
 - Includes 3-float float switch and in-line oil filter
 - Refill kit also requires oil solenoid valve
115 V (383647-1)
230 V (387449)
- Automatic refill pump package (388415)
 - Includes 1:1 ratio air-driven pump with accessories including filter/regulator, 7 ft long hose and valves designed for use with 55 gallon oil drums.



| Product # | CFM nominal | Flow range | No. of nozzles | Mist outlet | Voltage |
|-----------|-------------|----------------|----------------|----------------|--------------------|
| 3725-A6 | 9.7 | 3.5 - 16.5 CFM | 1 | 2-1/2" NPTF(f) | 120 V AC, 60/50 HZ |
| 3720-A6 | 13 | 5.2 - 21 CFM | 1 | 2-1/2" NPTF(f) | 120 V AC, 60/50 HZ |
| 3721-A6 | 21 | 7.5 - 33 CFM | 1 | 2-1/2" NPTF(f) | 120 V AC, 60/50 HZ |
| 3722-A6 | 41 | 15 - 45 CFM | 2 | 2-1/2" NPTF(f) | 120 V AC, 60/50 HZ |
| 3726-A6 | 65 | 31 - 73 CFM | 2 | 3" NPTF(f) | 120 V AC, 60/50 HZ |
| 3720-B6 | 13 | 5.2 - 21 CFM | 1 | 2-1/2" NPTF(f) | 240 V AC, 60/50 HZ |
| 3721-B6 | 21 | 7.5 - 33 CFM | 1 | 2-1/2" NPTF(f) | 240 V AC, 60/50 HZ |
| 3722-B6 | 41 | 15 - 45 CFM | 2 | 2-1/2" NPTF(f) | 240 V AC, 60/50 HZ |
| 3726-B6 | 65 | 31 - 73 CFM | 2 | 3" NPTF(f) | 240 V AC, 60/50 HZ |

Approximate oil consumption rate = 0.277 x CFM = ounces per hour of operation

HIGH CAPACITY OIL-MIST GENERATORS

High Capacity Oil-Mist Generators with Air Heater

FEATURES:

- Thermo-Aire® air heater
- 3.6 gallon oil reservoir
- Low oil level float switch
- Mist pressure switch (high & low)
- Oil level sight glass
- Air pressure gauge
- Mist pressure gauge
- Oil temperature gauge
- Air temperature gauge

OPTIONAL ACCESSORIES

- Alarm annunciator (387275)
 - Required to provide visual/audible alarm signals.
- Automatic oil refill kit (385789)
 - Includes 3-float float switch and in-line oil filter.
 - Refill kit also requires oil solenoid valve
 - 115 V (383647-1)
 - 230 V (387449)
- Automatic refill pump package (388415)
 - Includes 1:1 ratio air-driven pump with accessories including filter/regulator, 7 ft long hose and valves designed for use with 55 gallon oil drums.



| Product # | CFM nominal | Flow range | No. of nozzles | Mist outlet | Voltage solenoid and oil heater | Voltage air heater |
|-----------|-------------|------------|----------------|----------------|---------------------------------|--------------------|
| 3730-RW6 | 13 | 5.2 - 21 | 1 | 2-1/2" NPTF(f) | 120 V AC, 60/50 Hz | 240 V AC, 60/50 Hz |
| 3731-RW6 | 21 | 7.5 - 33 | 1 | 2-1/2" NPTF(f) | 120 V AC, 60/50 Hz | 240 V AC, 60/50 Hz |
| 3732-RW6 | 41 | 15 - 45 | 2 | 2-1/2" NPTF(f) | 120 V AC, 60/50 Hz | 240 V AC, 60/50 Hz |
| 3736-RW6 | 65 | 31 - 73 | 2 | 3" NPTF(f) | 120 V AC, 60/50 Hz | 240 V AC, 60/50 Hz |
| 3730-BW6 | 13 | 5.2 - 21 | 1 | 2-1/2" NPTF(f) | 240 V AC, 60/50 Hz | 240 V AC, 60/50 Hz |
| 3731-BW6 | 21 | 7.5 - 33 | 1 | 2-1/2" NPTF(f) | 240 V AC, 60/50 Hz | 240 V AC, 60/50 Hz |
| 3732-BW6 | 41 | 15 - 45 | 2 | 2-1/2" NPTF(f) | 240 V AC, 60/50 Hz | 240 V AC, 60/50 Hz |
| 3736-BW6 | 65 | 31 - 73 | 2 | 3" NPTF(f) | 240 V AC, 60/50 Hz | 240 V AC, 60/50 Hz |

Approximate oil consumption rate = 0.277 x CFM = ounces per hour of operation



OIL-MIST SYSTEM COMPONENTS

Application Reclassifier Fittings

Reclassifier fittings perform two critical functions:

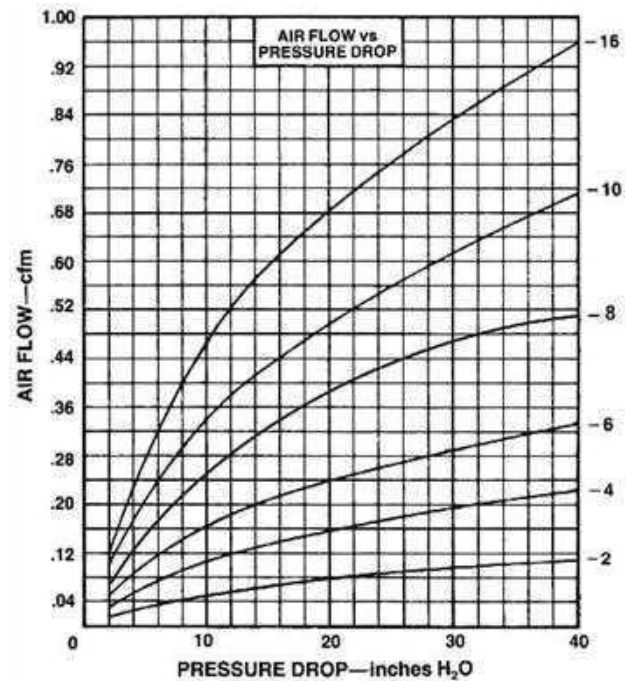
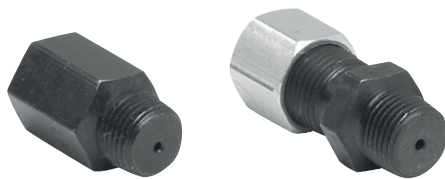
- They maintain consistent system mist pressure for all lubrication points
- They deliver a measured amount of mist flow to each point, as determined by their orifice size

Every lubrication point requires a reclassifier fitting.

Since oil-mist can be applied to a wide array of machine elements (bearings, gears, chains, etc), Alemite offers four different types of fittings. Each type provides a different degree of reclassification of the dry mist into a suitable degree of wetness to adequately lubricate the element.

Mist Fittings

Primarily used for enclosed bearing housings and rely on the bearing velocity to provide the reclassifying function. They are used on both pure mist and purge mist applications. Brass fittings have black zinc finish.



| Inlet 1/8" NPT(f) ⁽¹⁾ | | Inlet 1/4" OD tube fitting ⁽²⁾ | | Orifice | | | CFM @ 20 in. H ₂ O |
|-----------------------------------|--------------------|---|-----------|----------|--------|-----------|-------------------------------|
| Outlet 1/8" PTF(m) ⁽¹⁾ | Outlet 1/4" NPT(m) | Outlet 1/8" PTF(m) ⁽¹⁾ | | Diameter | Length | Flow area | |
| Brass | Brass | Brass | 303 SS | | | | |
| 380791-2 | | 381290-2 | 387603-2 | 0.032" | 0.44" | 0.0008 | 0.08 |
| 380791-4 | 381303-4 | 381290-4 | 387603-4 | 0.045" | 0.44" | 0.0016 | 0.16 |
| 380791-6 | 381303-6 | 381290-6 | 387603-6 | 0.055" | 0.44" | 0.0024 | 0.24 |
| | 381303-8 | 381290-8 | 387603-8 | 0.068" | 0.44" | 0.0036 | 0.38 |
| 380791-10 | 381303-10 | 381290-10 | 387603-10 | 0.078" | 0.44" | 0.0048 | 0.49 |
| 380791-16 | 381303-16 | 381290-16 | 387603-16 | 0.089" | 0.44" | 0.0062 | 0.68 |

⁽¹⁾ SAE special short

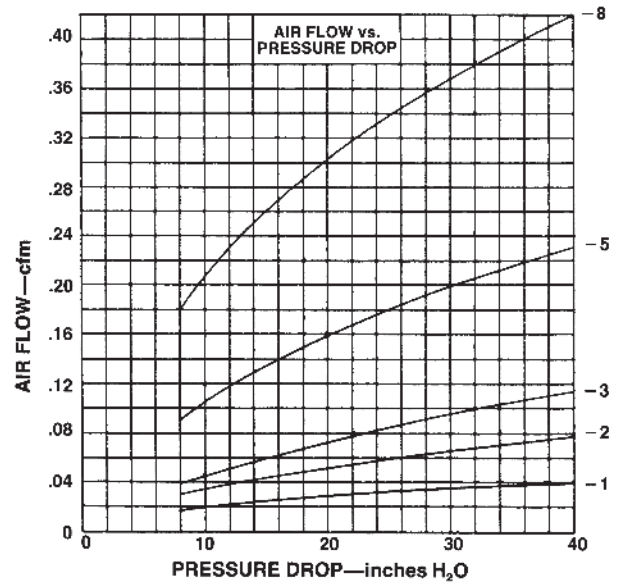
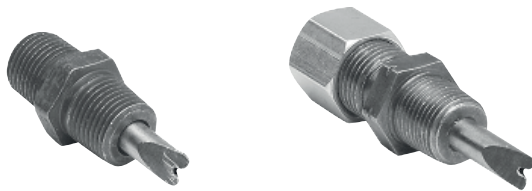
⁽²⁾ Includes nut and sleeve

OIL-MIST SYSTEM COMPONENTS

Application Reclassifier Fittings

Spray Fittings

Compared with mist fittings, spray fittings convert a greater percentage of mist into a wetter spray. Primarily used to lubricate chain, gear teeth and slow-moving equipment. Can also be used to apply a thin oil film on surfaces. Chisel-point tip should be located within ½" to 1" of surface to be lubricated. Fittings have black zinc finish.



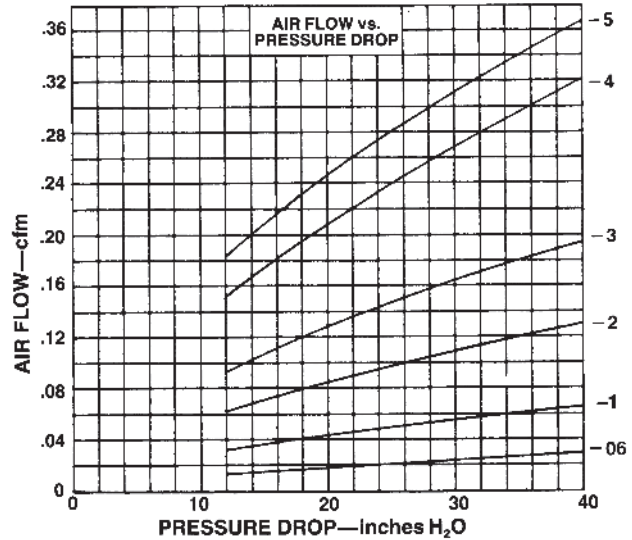
| Inlet 1/8" NPT(m) | Inlet 1/4" OD tube fitting | Orifice | | | CFM @ 20 in. H ₂ O | | |
|----------------------|-------------------------------|-----------------------|-----------------------|----------|----------------------------------|----------|-----------|
| | | Outlet 1/8" NPT(m) | Outlet 1/8" NPT(m) | Diameter | | Length | Flow area |
| | 381288-1 | | | 0.024" | 1.38" | 0.000452 | 0.03 |
| 381283-3 | 381288-3 | | | 0.042" | 1.38" | 0.00138 | 0.07 |
| 381283-5 | 381288-5 | | | 0.055" | 1.38" | 0.00237 | 0.16 |
| 381283-8 | 381288-8 | | | 0.067" | 1.38" | 0.00352 | 0.30 |



OIL-MIST SYSTEM COMPONENTS

Condensing Fittings

These fittings convert mist into liquid oil within the fitting itself. The condensed oil flows by gravity to the machine element. Fittings are made of brass with a bright zinc finish.



| Inlet 1/8" NPTF(m) | Inlet 1/4" OD tube fitting | Orifice (baffled) | | | CFM @ 20 in. H ₂ O | | |
|-----------------------|-------------------------------|--------------------------------------|------------------------|----------------|----------------------------------|--------|-----------|
| | | Outlet 1/8" PTF(m) ⁽¹⁾ | Outlet 1/8" PTF*(m) | Size | | Length | Flow area |
| 381281-1 | 381282-1 | | | SLOT .020 R | 0.38 | 0.0006 | 0.04 |
| 381281-2* | 381282-2 | | | 2 SLOTS .020 R | 0.38 | 0.0012 | 0.08 |
| 381281-3 | 381282-3 | | | 3 SLOTS .020 R | 0.38 | 0.0018 | 0.13 |
| 381281-4 | | | | 5 SLOTS .020 R | 0.38 | 0.0030 | 0.21 |
| 381281-5 | 381282-5 | | | 6 SLOTS .020 R | 0.38 | 0.0036 | 0.25 |

⁽¹⁾ SAE special short

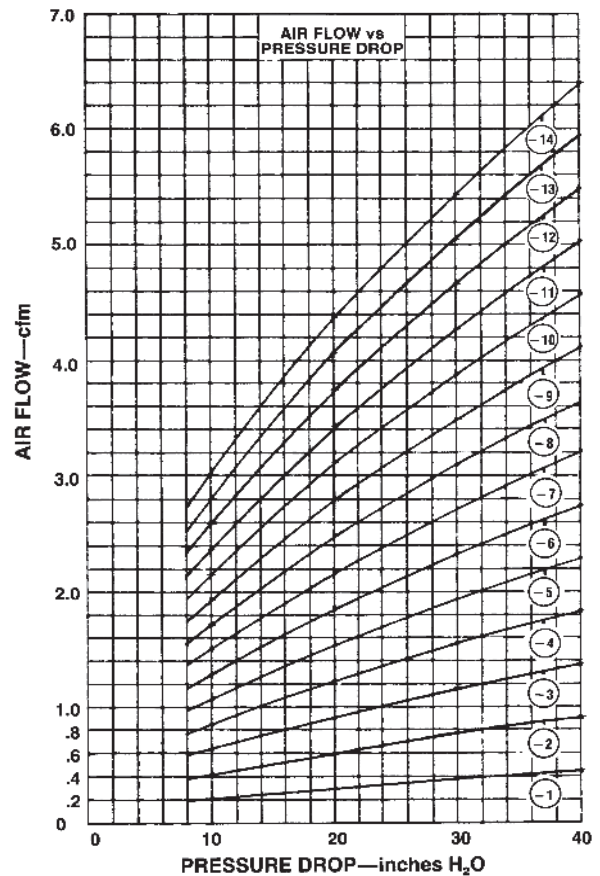
WARNING California Proposition 65: Cancer and reproductive harm. www.P65Warnings.ca.gov

*

OIL-MIST SYSTEM COMPONENTS

Spray Nozzle Fittings

Like spray fittings, spray nozzle fittings convert mist into a wetter spray. Whenever the required mist flow exceeds the capacity of the maximum spray fitting size, spray nozzle fittings are used. Spray nozzle fittings contain from 1 to 14 flow holes. Each hole passes the same amount of mist as the largest spray fitting. One-end threaded fittings (not shown) are usually installed from inside a very large bearing housing and have a tightening slot on the opposite end. Fittings are brass.



| One end threaded | | Both ends threaded | | Number of orifices ⁽²⁾ | Total flow area (square inch) | CFM @ 20 in. H ₂ O |
|------------------|--------------|--------------------|----------------------------|-----------------------------------|-------------------------------|-------------------------------|
| 1/2" NPTF(m) | 3/4" NPTF(m) | 1/4" NPTF(m) | 1/2" PTF(m) ⁽¹⁾ | | | |
| 326370-1 | | 383588-1* | 384280-1 | 1 | 0.00352 | 0.3 |
| 326370-2 | | 383588-2* | 384280-2 | 2 | 0.00704 | 0.6 |
| 326370-3 | | 383588-3* | 384280-3 | 3 | 0.01056 | 0.9 |
| 326370-4 | | 383588-4* | 384280-4 | 4 | 0.01408 | 1.2 |
| 326370-5 | | 383588-5* | 384280-5 | 5 | 0.01760 | 1.5 |
| 326370-6 | | 383588-6* | 384280-6 | 6 | 0.02112 | 1.8 |
| 326370-7 | | 383588-7* | 384280-7 | 7 | 0.02464 | 2.2 |
| 326370-8 | | | 384280-8 | 8 | 0.02816 | 2.5 |
| 326370-9 | | | 384280-9 | 9 | 0.03168 | 2.8 |
| 326370-10 | 383617-10 | | 384280-10 | 10 | 0.03520 | 3.1 |
| | 383617-11 | | | 11 | 0.03872 | 3.4 |
| | 383617-12 | | | 12 | 0.04224 | 3.7 |
| | 383617-13 | | | 13 | 0.04576 | 4.0 |
| | 383617-14 | | | 14 | 0.04928 | 4.3 |

⁽¹⁾ SAE short

⁽²⁾ 0.067 dia – 1.38 lg

* **WARNING** California Proposition 65: Cancer and reproductive harm. www.P65Warnings.ca.gov

OIL-MIST SYSTEM COMPONENTS

Manifold blocks

Designed to provide multiple threaded outlets from one mist header drop line. Two (2) mounting clamps included with all aluminum manifold blocks.



381192-2
(shown with
mounting clamps)



381193-2



381190-2



381174-2



388037

| Product # | Material | Size | End ports | Outlet ports 1/8" NPT(f) | Location | Length |
|-----------|----------|---------------|---------------------------|-----------------------------|---|-------------|
| 381192-2 | Aluminum | 1-1/8" Square | 3/8" NPT(f) / 3/8" NPT(f) | 2 | All on one side | 3" (76 mm) |
| 381193-2 | Aluminum | 1-1/8" Square | 3/8" NPT(f) / 3/8" NPT(f) | 3 | All on one side | 4" (102 mm) |
| 381173-2 | Aluminum | 1-1/8" Square | 3/8" NPT(f) / 3/8" NPT(f) | 4 | Two on one side, two on opposite side | 3" (76 mm) |
| 381174-2 | Aluminum | 1-1/8" Square | 3/8" NPT(f) / 3/8" NPT(f) | 8 | Four on one side, four on opposite side | 5" (127 mm) |
| 381190-2 | Aluminum | 1-1/8" Square | 3/8" NPT(f) / 3/8" NPT(f) | 8 | Four on one side, four on adjacent side | 5" (127 mm) |
| 388037 | 304 SS | 1-1/2" Hex | 3/4" NPT(f) / 1/2" NPT(f) | 6 | Two on each opposite flat | 3" (76 mm) |

Manifold Block Plugs:

End Port Pipe Plug (48925)

- 3/8" NPT(m)

Outlet Port Pipe Plug (1480)

- 1/8" NPT(m)

OIL-MIST SYSTEM COMPONENTS

Sight Glass with Snap Valve (385662-A1)

Clear acrylic sight glass provides visual check of condensed oil. Brass snap valve permits quick draining and closes when released. Used on both manifold blocks and bearing housing drains. Includes ½" NPT(m) adapter. Add adapter (339596) to attach to aluminum manifold blocks.



385662-A1

Sight Glass with 304SS Snap Valve (388243)

Clear acrylic sight glass provides visual check of condensed oil. 304SS snap valve permits quick draining and closes when released. Used on both manifold blocks and bearing housing drains. Includes 304SS ½" NPT(m) adapter.



388236

Stainless Steel Mist Manifold Assembly (388236)

Includes stainless steel manifold block (388037), 4" long acrylic sight glass (388237), stainless steel push-button drain valve, stainless steel adapters and ⅜" OD stainless steel tube fitting.



387613

Mist Collection Container (387613)

72 oz. Nalgene® bottle with special aluminum cap allows condensed oil and vented mist to be collected from up to six bearing housings. Translucent bottle allows visual inspection of oil level. Bottle is easily removable for proper disposal of condensed oil. Compatible with both mineral and synthetic oils. Cap has six (6) ¼" NPT(f) connections.

Stainless Steel Mist Collection Container (388235)

12 gauge 316 stainless steel tank holds approximately 1.5 gallons (5.7 liters) of condensed oil and vented mist from up to six bearing housings or drains. Round sightglass allows visual inspection of oil level. Vent and overflow tubes, as well as ½" NPT drain valve included.



388235

OIL-MIST SYSTEM COMPONENTS

Manual Refill Pump and Hose/Filter Assembly (388034)

Permits refilling of mist generator oil reservoirs during operation. Includes Reservoir Refill Hose Assembly P/N 380696 (7 ft hose with 40 micron cleanable filter and loader coupler) that assures only clean, filtered oil enters reservoir. Pump has 3 gallon container and carry handle. Required on 1 pint, 1 gallon and modular mist generators without auto-refill capability.



OIL-MIST SYSTEM ACCESSORIES

Automatic refill pump package (388415)

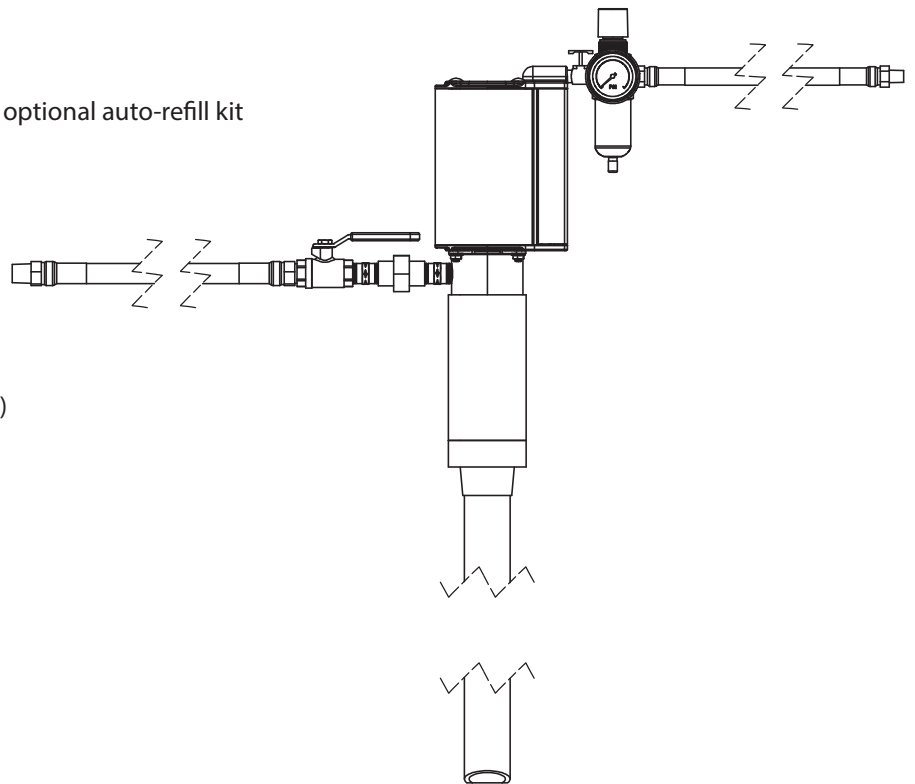
Includes 1:1 ratio air-driven pump with accessories including filter/regulator, 7 ft long hose and valves. For 55 gallon oil drums only (drum not included).

FOR USE WITH:

- Modular generators
 - C and D models only
- High-capacity generators
 - 3720 and 3730 models with optional auto-refill kit

INCLUDES:

- Hose assembly (317803-3)
- Hose assembly (317813-7)
- Suction tube (338147-4)
- Filter/regulator (7936)
- ½" NPT union (17737)
- Adapter (51888)
- ½" NPT full port valve (388217)
- Ram pump (9916-A1)



OIL-MIST SYSTEM ACCESSORIES

Mist Pressure Gauge**1/4" NPT(m) back mount (384889)****1/8" NPT(m) bottom mount (382064)****1/4" NPT(m) bottom mount stainless steel (388612)**

When installed in the mist distribution header of 1 pint and 1 gallon mist generators, these gauges provide visual assurance of proper mist pressure in the system. Included in other mist generator models. Gauges measure 0 to 100" H₂O.

**384889****Alarm Annunciator (387275)**

Provides both visual and audible warning of system faults when connected to oil level float switch and low/high mist pressure switch (optional). Includes red and green status lights, as well as audible horn with disable switch.

- Dry contacts provided to energize remote alarms (10 amp max). 120 V AC, 50/60 Hz
- NEMA 4X non-metallic enclosure with mounting bracket
- Dimensions: 6.4" wide x 8.4" tall x 4.8" deep
- Use with all models that do not have status lights

**387275****Mist Pressure Switch (385033)**

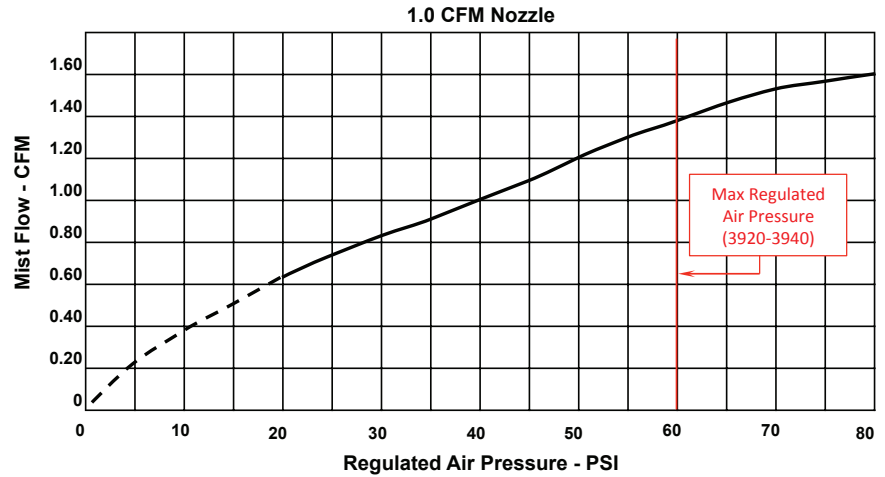
When installed in the mist distribution header of 1 pint and 1 gallon mist generators (and used in conjunction with an optional alarm annunciator), this switch responds to either a rise or a drop in system pressure by sending an alarm signal to the alarm annunciator. Factory set at 8" H₂O (falling) and 55" H₂O (rising) mist pressure. Settings can be easily adjusted in the field.

- Rated for 10 amp @ 120 V AC
- 1/4" NPT(f) pipe connection and 1/2" NPSM(f) conduit connection

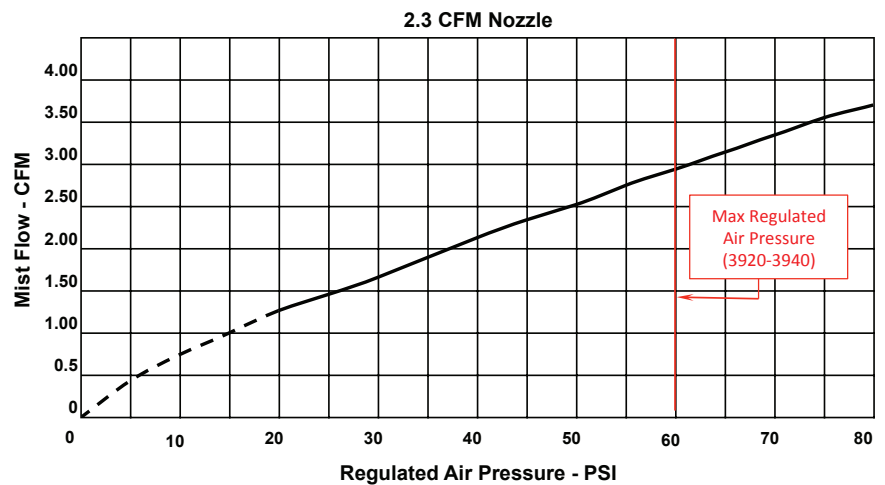
**385033**

OIL-MIST NOZZLE PERFORMANCE CURVES

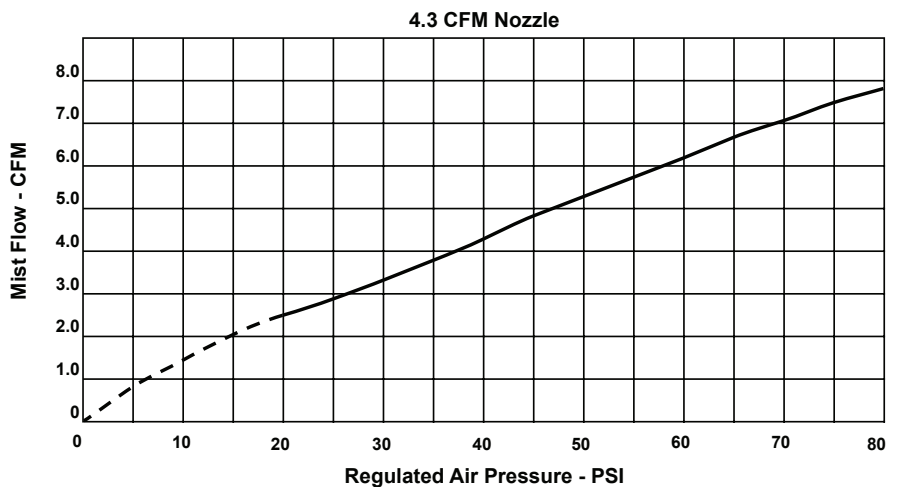
1.0 CFM Nozzle



2.3 CFM Nozzle



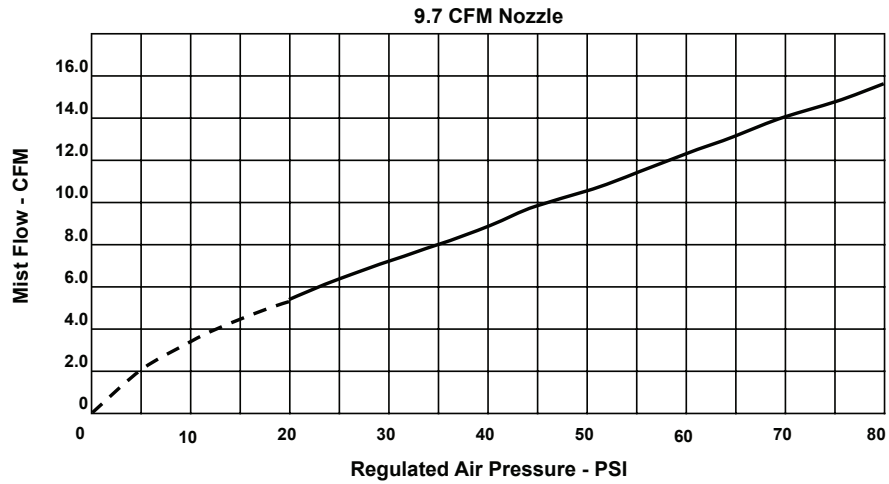
4.3 CFM Nozzle



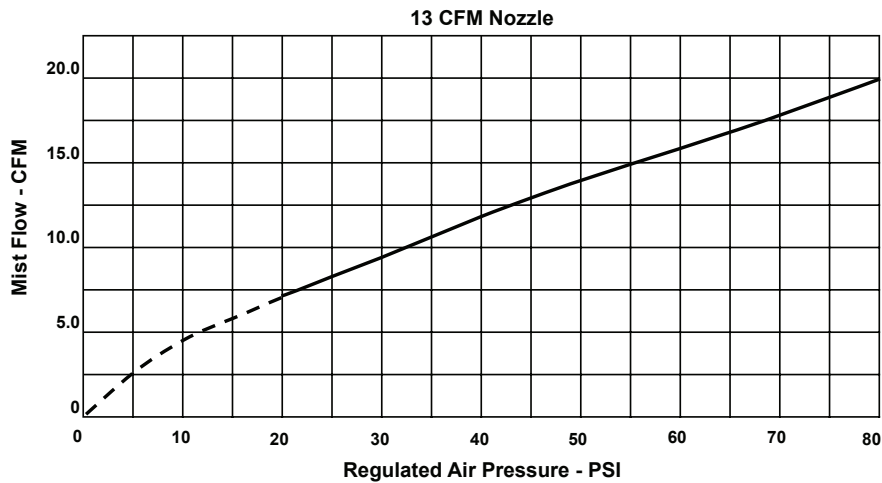


OIL-MIST NOZZLE PERFORMANCE CURVES

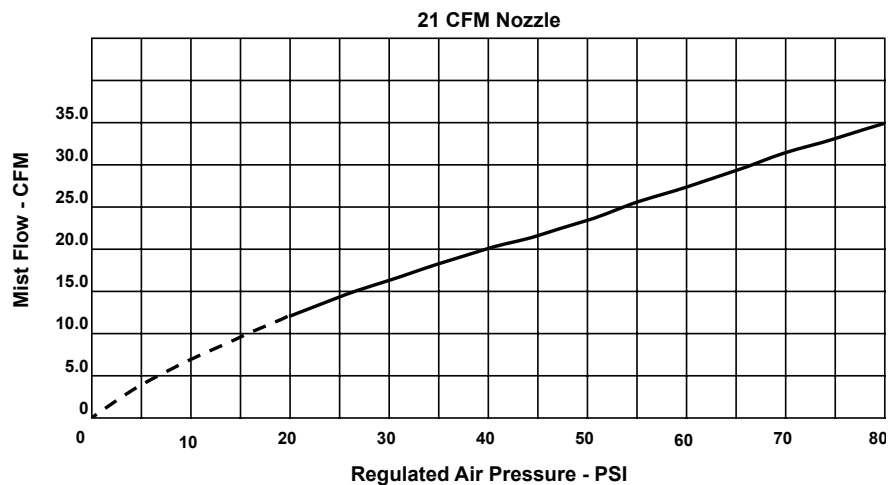
9.7 CFM Nozzle



13 CFM Nozzle

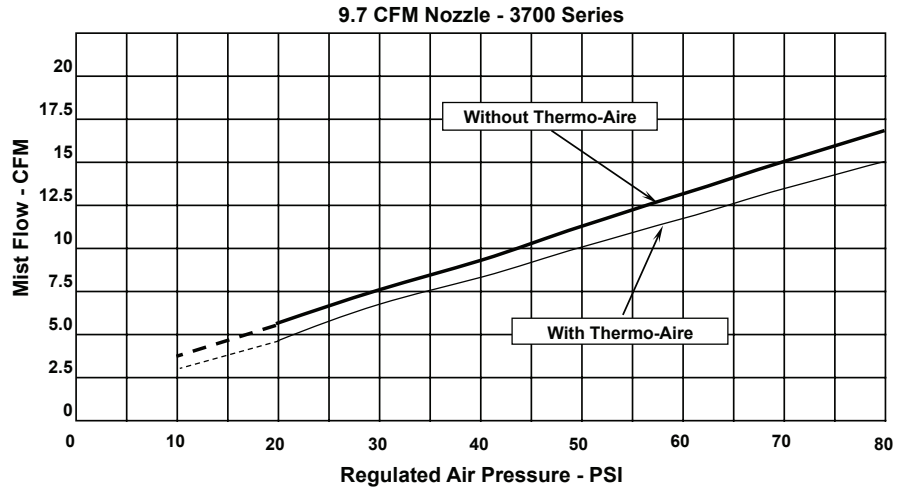


21 CFM Nozzle

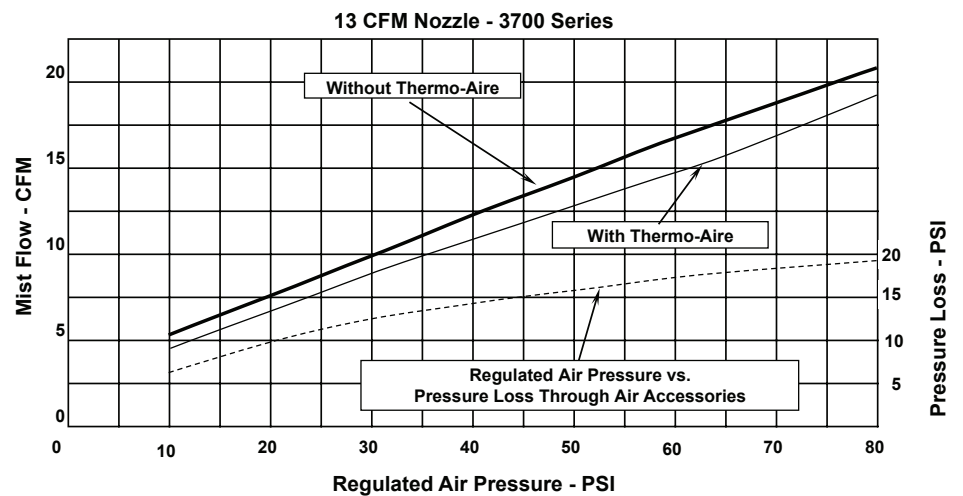


LARGE CAPACITY GENERATOR PERFORMANCE CURVES

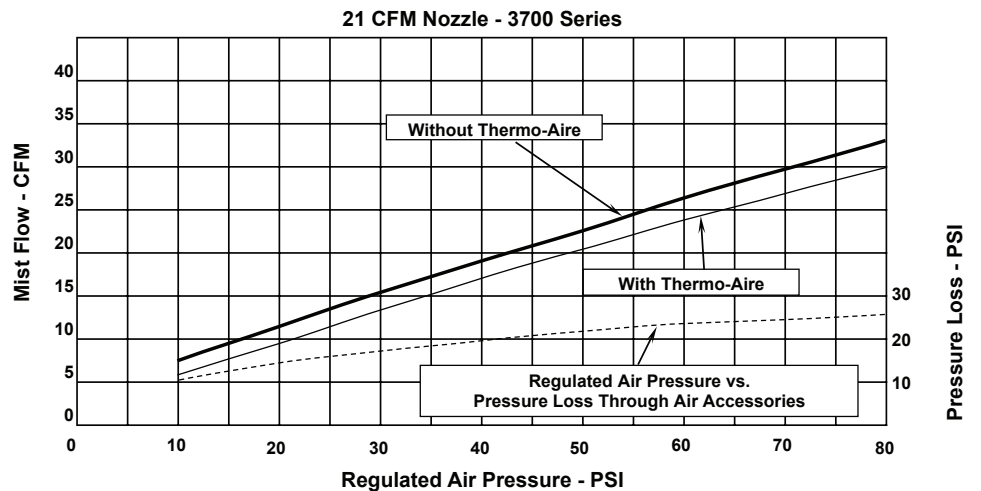
9.7 CFM Nozzle



13 CFM Nozzle



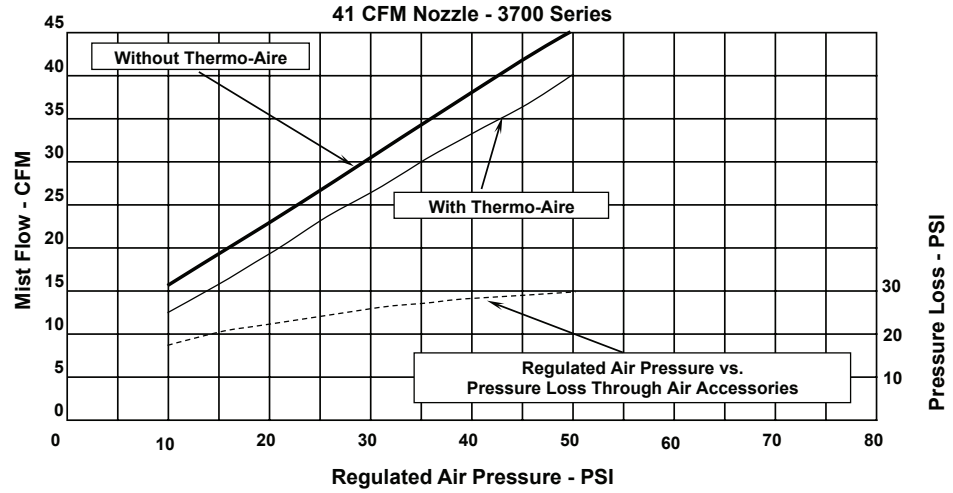
21 CFM Nozzle



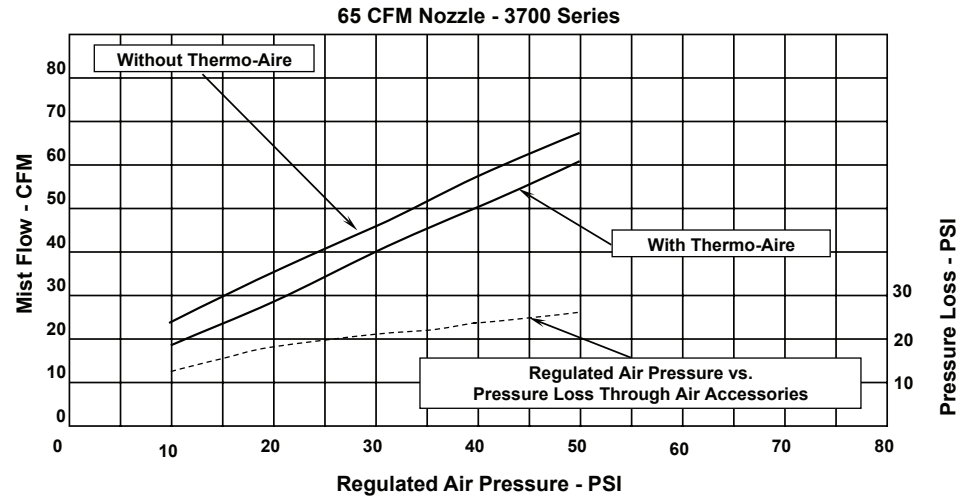


LARGE CAPACITY GENERATOR PERFORMANCE CURVES

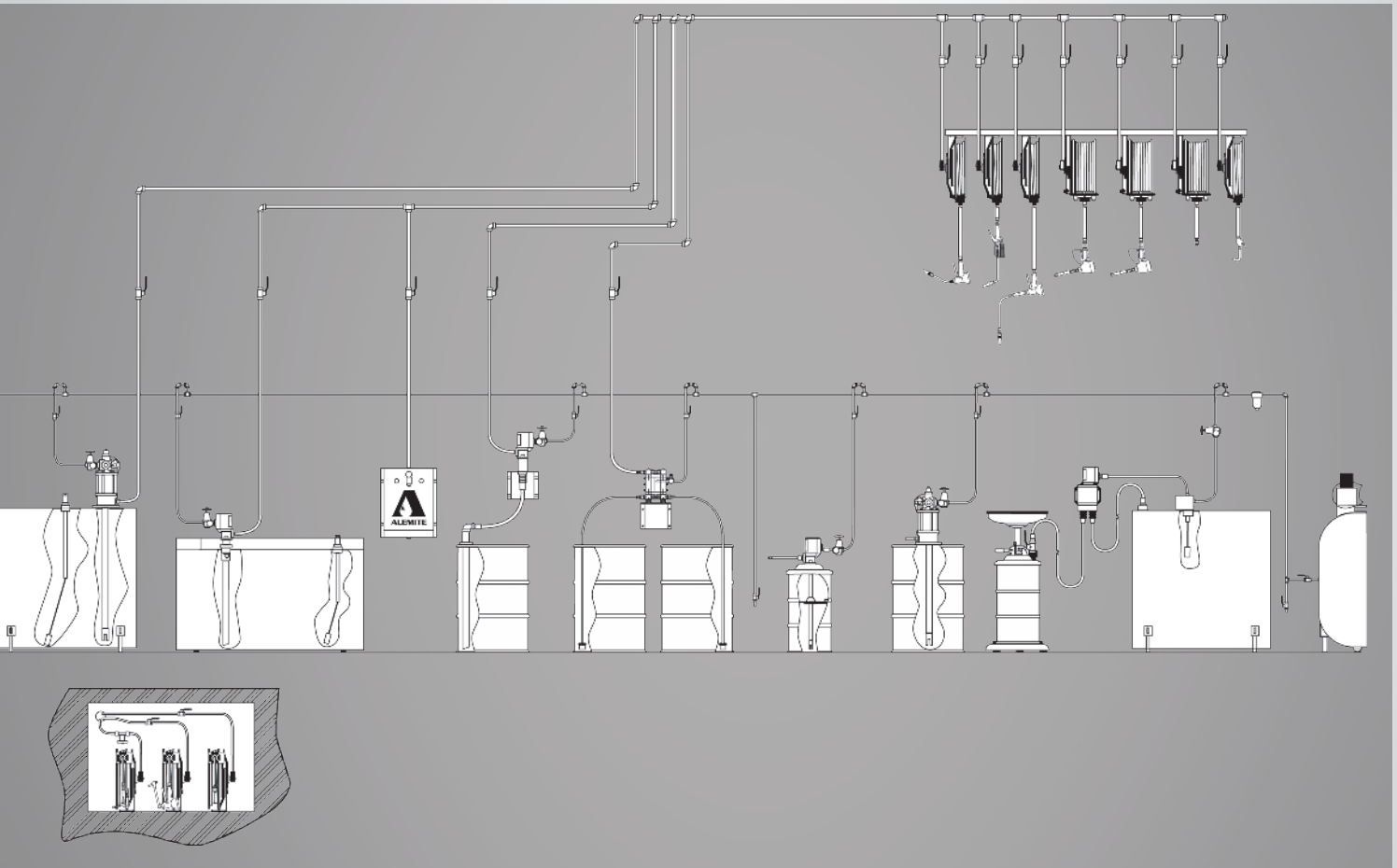
41 CFM Nozzle



65 CFM Nozzle



EXAMPLE PRODUCT CONFIGURATIONS



- ▶ Lube Truck
- ▶ Grease Pump Systems
- ▶ Oil Pump and Reel Systems

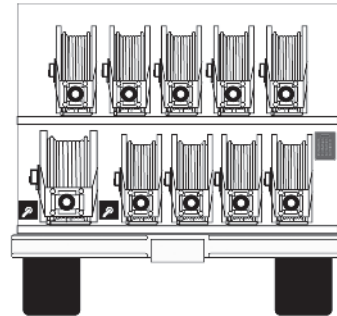
The following product configurations provide examples of easy-to-use systems constructed from a variety of high-quality Alemite products. For vehicle service facilities, lube truck setup and multiple other applications, these configurations can assist in developing an efficient, work-ready environment.



LUBE TRUCK

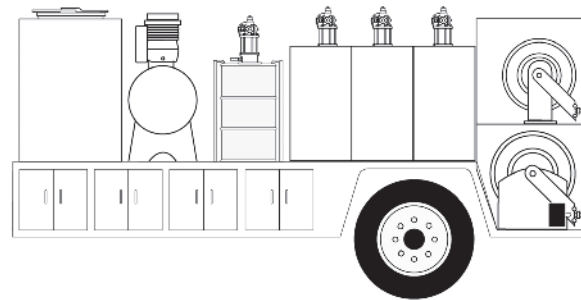
Grease

| Product # | Qty. | Description | Page |
|-----------|------|--|------|
| 8081-B | 1 | H.P. Double Post Reel, 50 ft Hose, Hose Stop | 68 |
| 6320-3 | 1 | H.P. Control Valve | 92 |
| B321320 | 1 | H.P. Z-Swivel | 80 |
| 9979-A | 1 | 50:1 RAM Pump | 32 |
| 321340 | 1 | Tie Down Kit | 170 |



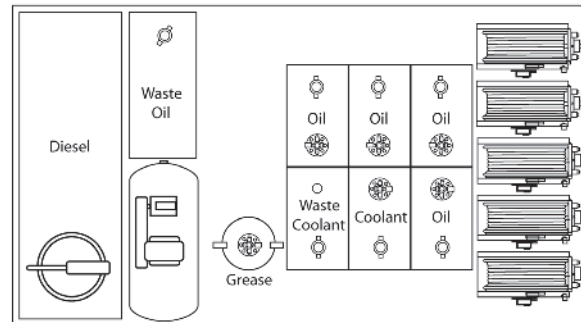
Oils

| Product # | Qty. | Description | Page |
|-----------|------|--|------|
| 8081-D | 4 | M.P. Double Post Reel, 50" Hose, Hose Stop | 68 |
| 3671-B | 4 | Meters: 2 = Motor Oil, Gear Oil, Hydraulic Oil | 84 |
| 9968 | 4 | 5:1 RAM Pump: Motor Oil, Gear Oil, Hydraulic Oil | 28 |
| - | 4 | Suction Tube by Installer | - |



Coolant

| Product # | Qty. | Description | Page |
|-----------|------|--|------|
| 8081-D | 1 | M.P. Double Post Reel, 50 ft Hose, Hose Stop | 68 |
| 8322 | 1 | 1/2" Diaphragm Pump | 50 |
| 3671-B | 1 | Meter | 84 |





EXAMPLE PRODUCT CONFIGURATIONS

GREASE PUMP SYSTEMS WITH HEAVY-DUTY REEL

Standard Duty Grease Pump with Heavy-Duty Reel – 120 lb Drum

| Item | Product # | Qty. | Description | Page |
|------|------------------------|------|-------------------------------------|------|
| 1 | 8550-A1 | 1 | 50:1 Pump & Cover | 34 |
| 2 | 338802 ⁽¹⁾ | 1 | Follower | 55 |
| 3 | 317882-7 | 1 | Hose | 81 |
| 4 | 1001-86 | 1 | Union | 129 |
| 5 | 380372-B1 | 1 | Strainer | 56 |
| 6 | 308785 | 2 | Shut-Off Valve | – |
| 7 | – | – | Lubricant Piping ⁽²⁾ | – |
| 8 | 8078-B | 1 | 50 ft Reel Assembly | 62 |
| 9 | 6320-3 | 1 | Control Valve | 92 |
| 10 | – | – | Air Piping ⁽²⁾ | – |
| 11 | 338860 | 1 | Filter/Regulator Pkg ⁽³⁾ | 160 |
| 12 | 317803-3 | 1 | Hose | 82 |
| 13 | B328030 ⁽¹⁾ | 1 | Air Coupler | 163 |
| 14 | B328034 ⁽¹⁾ | 1 | Air Adapter | 163 |
| 15 | 51888 | 1 | Male Adapter | 128 |
| 16 | SWA274 | 1 | 1/2" Ball Valve | – |
| 17 | 130552 | 1 | Male/Male Adapter | 128 |
| 18 | B331107 | 1 | Swivel | 80 |

⁽¹⁾Included with 8550-A1

⁽²⁾Furnished by equipment installer

⁽³⁾Use 338860 when filter/regulator is mounted to a wall.
Use 7936 when attached to pump.

RAM Grease Pump with Heavy-Duty Reel – 120 lb Drum

| Item | Product # | Qty. | Description | Page |
|------|-----------------------|------|-------------------------------------|------|
| 1 | 9950-A1 | 1 | 50:1 Pump & Cover | 32 |
| 2 | 338802 ⁽¹⁾ | 1 | Follower | 55 |
| 3 | 317882-7 | 1 | Hose | 81 |
| 4 | 1001-86 | 1 | Union | 129 |
| 5 | 380372-B1 | 1 | Strainer | 56 |
| 6 | 308785 | 2 | Shut-Off Valve | – |
| 7 | – | – | Lubricant Piping ⁽²⁾ | – |
| 8 | 8078-B | 1 | 50 ft Reel Assembly | 62 |
| 9 | 6320-3 | 1 | Control Valve | 92 |
| 10 | – | – | Air Piping ⁽²⁾ | – |
| 11 | 338860 | 1 | Filter/Regulator Pkg ⁽³⁾ | 160 |
| 12 | 317803-3 | 1 | Hose | 82 |
| 13 | 328030 | 1 | Air Coupler | 163 |
| 14 | 328034 | 1 | Air Adapter | 163 |
| 15 | 51888 | 1 | Male Adapter | 128 |
| 16 | SWA274 | 1 | 1/2" Ball Valve | – |
| 17 | 130552 | 1 | Male/Male Adapter | 128 |
| 18 | B331107 | 1 | Swivel | 80 |

⁽¹⁾Included with 9950-A1

⁽²⁾Furnished by equipment installer

⁽³⁾Use 338860 when filter/regulator is mounted to a wall.
Use 7936 when attached to pump.

HEAVY-DUTY GREASE PUMP WITH HEAVY-DUTY REEL

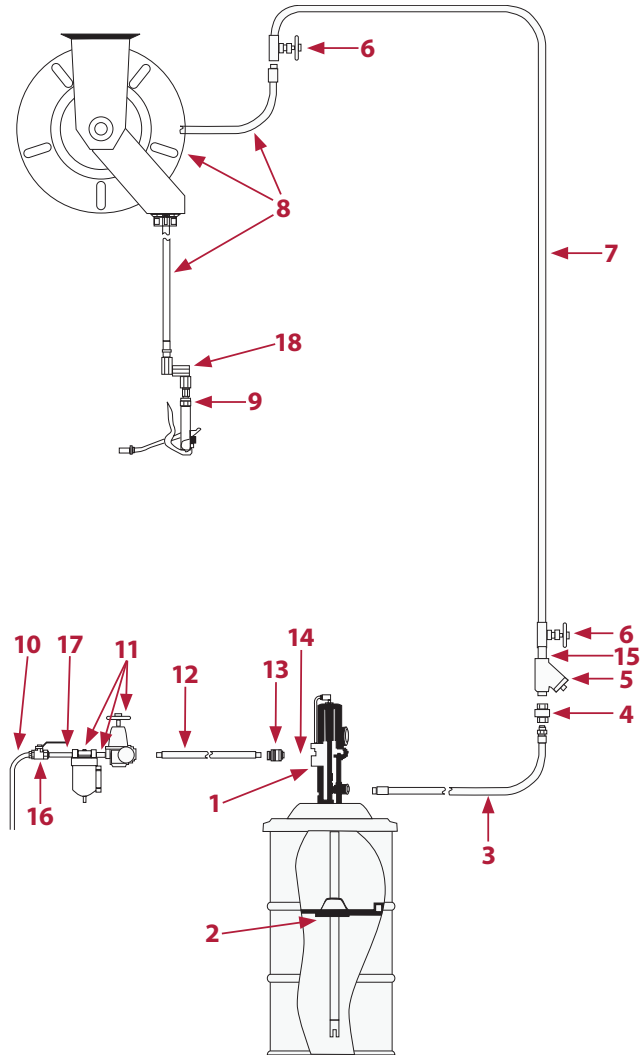
Heavy-Duty Grease Pump with Heavy-Duty Reel – 400 lb Drum⁽³⁾

| Item | Product # | Qty. | Description | Page |
|------|-----------------------|--------|---------------------------------|----------|
| 1 | 7785-A5 323847-4 | 1 1 | 40:1 Pump Cover | 36 54 |
| 2 | 338912 | 1 | Follower | 55 |
| 3 | 317882-7 | 1 | Hose | 81 |
| 4 | 1001-86 | 1 | Union | 129 |
| 5 | 380372-B1 | 1 | Strainer | 56 |
| 6 | 308785 | 2 | Shut-Off Valve | – |
| 7 | – | – | Lubricant Piping ⁽²⁾ | – |
| 8 | 8078-B | 1 | 50 ft Reel Assembly | 62 |
| 9 | 6320-3 | 1 | Control Valve | 92 |
| 10 | – | – | Air Piping ⁽²⁾ | – |
| 11 | 338862 | 1 | Filter/Regulator Pkg | 160 |
| 12 | 317803-3 | 1 | Hose | 82 |
| 13 | 328031 ⁽¹⁾ | 1 | Air Coupler | 163 |
| 14 | 328037 ⁽¹⁾ | 1 | Air Adapter | 163 |
| 15 | 51888 | 1 | Male Adapter | 128 |
| 16 | SWA274 | 1 | 1/2" Ball Valve | – |
| 17 | 130552 | 1 | Male/Male Adapter | 128 |
| 18 | B331107 | 1 | Swivel | 80 |

⁽¹⁾Included with 7785-A5

⁽²⁾Furnished by equipment installer

⁽³⁾Available as a package (387771), including all Items except 7 & 10.





EXAMPLE PRODUCT CONFIGURATIONS

MEDIUM-PRESSURE OIL PUMP AND REEL SYSTEMS

RAM Oil Pump with Heavy-Duty Reel – 16 Gallon Drum

| Item | Product # | Qty. | Description | Page |
|------|-----------------------|------|-------------------------------------|------|
| 1 | 9960-A | 1 | 5:1 Pump | 28 |
| 2 | 317813-5F | 1 | Hose | 81 |
| 3 | 380372-A1 | 1 | Strainer | 56 |
| 4 | SWA274 | 3 | 1/2" Ball Valve | – |
| 5 | – | – | Lubricant Piping ⁽²⁾ | – |
| 6 | 8078-D | 1 | 50 ft Reel Assembly | 62 |
| 7 | 3685-F | 1 | Oil Meter | 87 |
| 8 | – | – | Air Piping ⁽²⁾ | – |
| 9 | 338860 | 1 | Filter/Regulator Pkg ⁽³⁾ | 160 |
| 10 | 317803-3 | 1 | Hose | 82 |
| 11 | 328030 ⁽¹⁾ | 1 | Air Coupler | 163 |
| 12 | 328034 ⁽¹⁾ | 1 | Air Adapter | 163 |
| 13 | 51888 | 1 | Male Adapter | 128 |
| 14 | 1000-88 | 1 | Adapter | 128 |
| 15 | 130552 | 1 | Male/Male Adapter | 128 |

⁽¹⁾Not supplied with Alemite pump

⁽²⁾Furnished by equipment installer

⁽³⁾Use 338860 when filter/regulator is mounted to a wall.
Use 7936 when attached to pump.

RAM Oil Pump with Heavy-Duty Reel – 55 Gallon Drum

| Item | Product # | Qty. | Description | Page |
|------|-----------------------|------|-------------------------------------|------|
| 1 | 9969-B | 1 | 5:1 Pump | 28 |
| 2 | 317813-5F | 1 | Hose | 81 |
| 3 | 380372-A1 | 1 | Strainer | 56 |
| 4 | SWA274 | 3 | 1/2" Ball Valve | – |
| 5 | – | – | Lubricant Piping ⁽²⁾ | – |
| 6 | 8078-D | 1 | 50 ft Reel Assembly | 62 |
| 7 | 3685-F | 1 | Oil Meter | 87 |
| 8 | – | – | Air Piping ⁽²⁾ | – |
| 9 | 338860 | 1 | Filter/Regulator Pkg ⁽³⁾ | 160 |
| 10 | 317803-3 | 1 | Hose | 82 |
| 11 | 328030 ⁽¹⁾ | 1 | Air Coupler | 163 |
| 12 | 328034 ⁽¹⁾ | 1 | Air Adapter | 163 |
| 13 | 51888 | 1 | Male Adapter | 128 |
| 14 | 1000-88 | 1 | Adapter | 128 |
| 15 | 130552 | 1 | Male/Male Adapter | 128 |

⁽¹⁾Not supplied with Alemite pump

⁽²⁾Furnished by equipment installer

⁽³⁾Use 338860 when filter/regulator is mounted to a wall.
Use 7936 when attached to pump.

MEDIUM-PRESSURE OIL PUMP AND REEL SYSTEMS

RAM Oil Pump Package – 200-Gallon Tank

| Item | Product # | Qty. | Description | Page |
|------|-----------|------|----------------------------|------|
| 1 | 9968 | 1 | 5:1 Pump | 28 |
| 2 | 8078-D | 1 | 50 ft Reel Assembly | 62 |
| 3 | 3670 | 1 | Oil Meter, Rigid Extension | 84 |
| 4 | 7936 | 1 | Filter/Regulator | 161 |

May be ordered as product #343076, including the above 4 items.

RAM Oil Pump Package – 200-Gallon Tank

| Item | Product # | Qty. | Description | Page |
|------|-----------|------|-------------------------------|------|
| 1 | 9968 | 1 | 5:1 Pump | 28 |
| 2 | 8078-D | 1 | 50 ft Reel Assembly | 62 |
| 3 | 3671 | 1 | Oil Meter, Flexible Extension | 84 |
| 4 | 7936 | 1 | Filter/Regulator | 161 |

May be ordered as product #343077, including the above 4 items.

RAM Oil Pump Packaged Unit (343076)

INCLUDES:

- (1) 5:1 Pump (9968)
- (1) 50 ft Reel Assembly (8078-D)
- (1) Oil Meter, Rigid Extension (3670)
- (1) Filter/Regulator (7936)



RAM Oil Pump Packaged Unit (343077)

INCLUDES:

- (1) 5:1 Pump (9968)
- (1) 50 ft Reel Assembly (8078-D)
- (1) Oil Meter, Flexible Extension (3671)
- (1) Filter/Regulator (7936)



EXAMPLE PRODUCT CONFIGURATIONS

OIL PUMP SYSTEMS WITH HEAVY-DUTY REEL

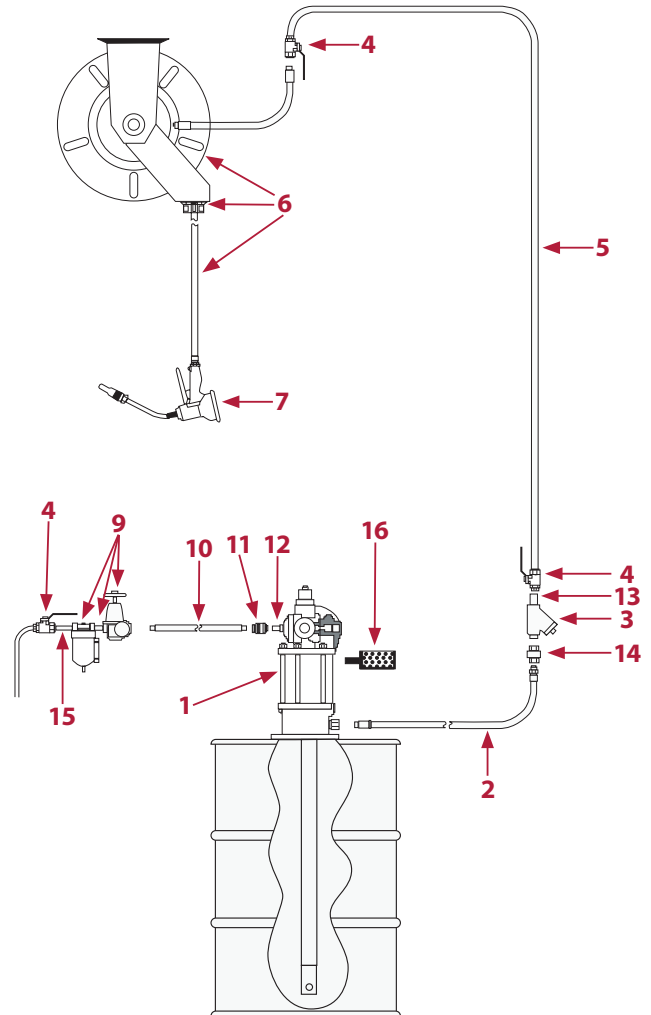
Heavy-Duty Oil Pump with Heavy-Duty Reel – 55 Gallon Drum

| Item | Product # | Qty. | Description | Page |
|------|------------------------|------|---------------------------|------|
| 1 | 7783-A4 ⁽³⁾ | 1 | 6:1 Pump | 31 |
| 2 | 317813-5F | 1 | Hose | 81 |
| 3 | 380372-A1 | 1 | Strainer | 56 |
| 4 | SWA274 | 3 | 1/2" Ball Valve | – |
| 5 | – | – | Air Piping ⁽²⁾ | – |
| 6 | 8078-D | 1 | 50 ft Reel Assembly | 62 |
| 7 | 3685-F | 1 | Oil Meter | 87 |
| 8 | – | – | Air Piping ⁽²⁾ | – |
| 9 | 338862 | 1 | Filter/Regulator Pkg | 160 |
| 10 | 317811-5 | 1 | Hose | 82 |
| 11 | 328031 ⁽¹⁾ | 1 | Air Coupler | 163 |
| 12 | 328037 ⁽¹⁾ | 1 | Air Adapter | 163 |
| 13 | 51888 | 1 | Male Adapter | 128 |
| 14 | 1000-88 | 1 | Adapter | 128 |
| 15 | 130552 | 1 | Male/Male Adapter | 128 |
| 16 | 324170 | 1 | Muffler | – |

⁽¹⁾Supplied with Alemite pump

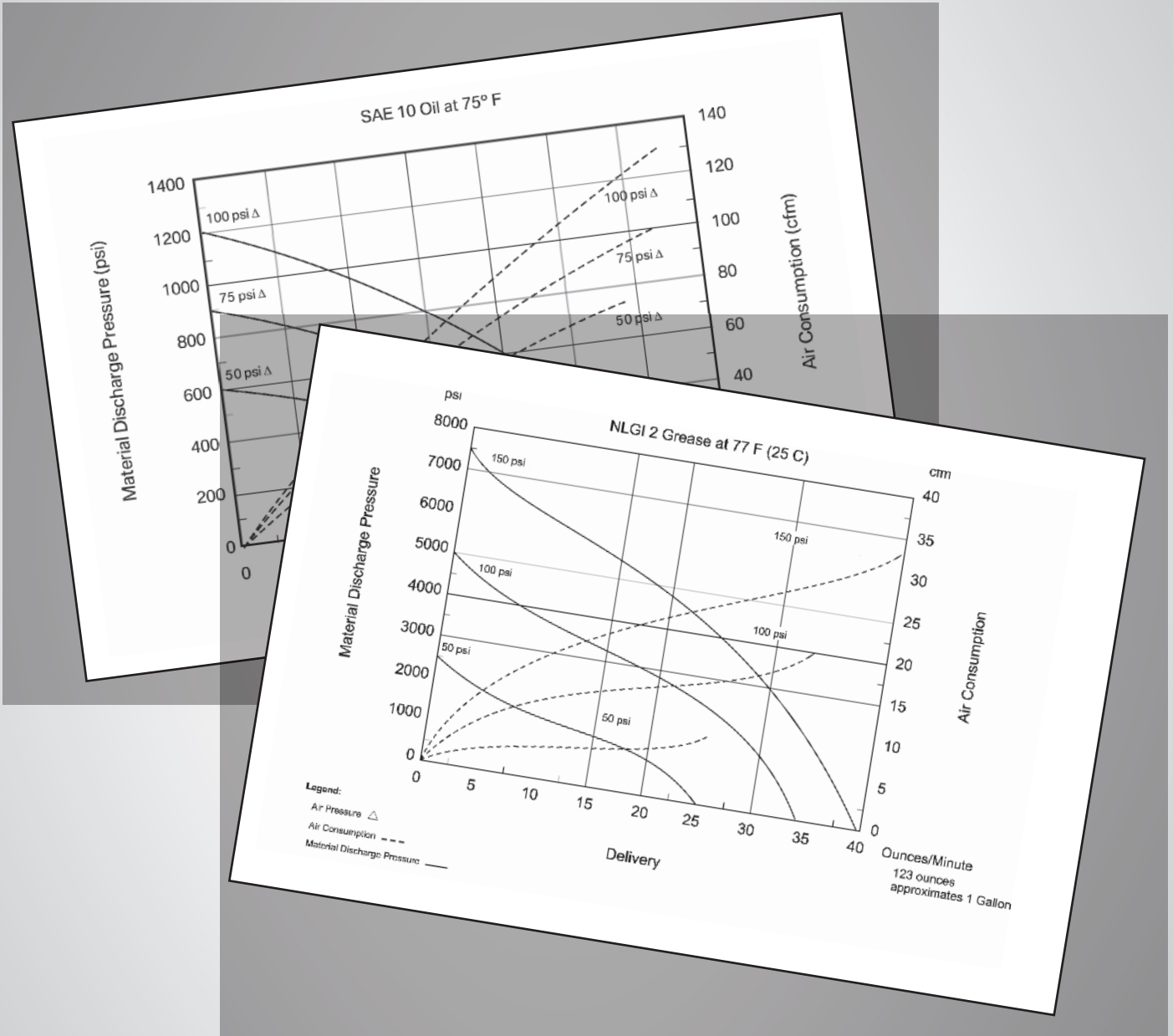
⁽²⁾Furnished by equipment installer

⁽³⁾Bung mount, order 326750-B1





PUMP PERFORMANCE CHARTS

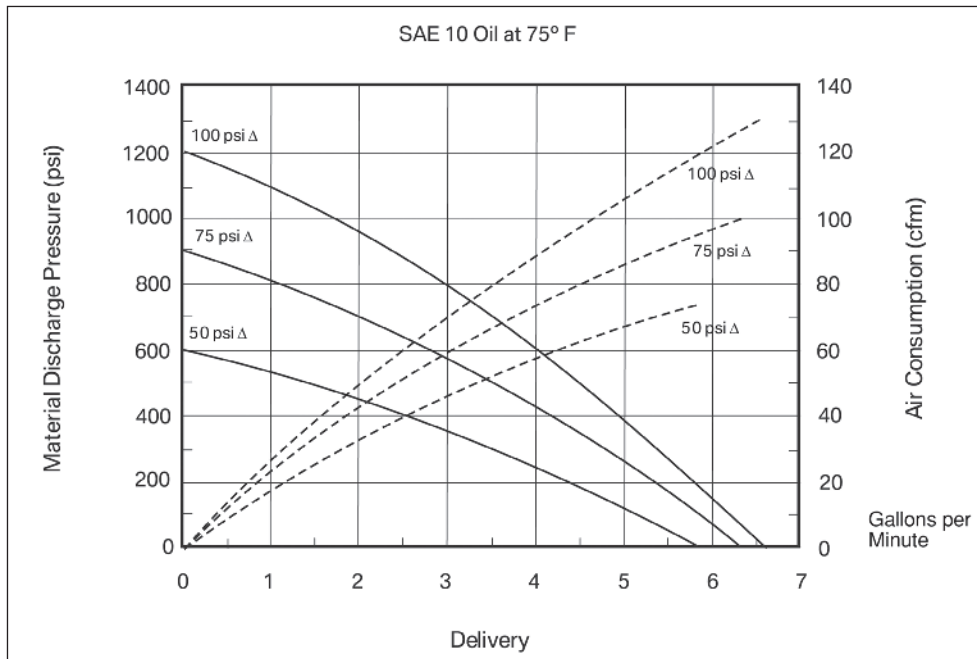


► Pump Performance Curves

Alemite performance charts are offered to aid in the selection of appropriate products for your applications. These charts depict expected product performance under real world flow rate and pressure conditions.

PUMP PERFORMANCE CURVES

Alemite has a pump to meet virtually every industry application. To find the right pumps for your operation, check the performance capabilities using the performance curves within this section.



Material Discharge Pressure:

To find material discharge pressure (psi) at a specific delivery (GPM) and air pressure (psi):

1. Locate required delivery along bottom of scale.
2. Follow vertical line up to where it intersects with air pressure curve (solid line).
3. Follow line horizontally to the left column of chart to determine discharge pressure.

Air Consumption:

To find air consumption (CFM) at a specific delivery (GPM) and air pressure (psi):

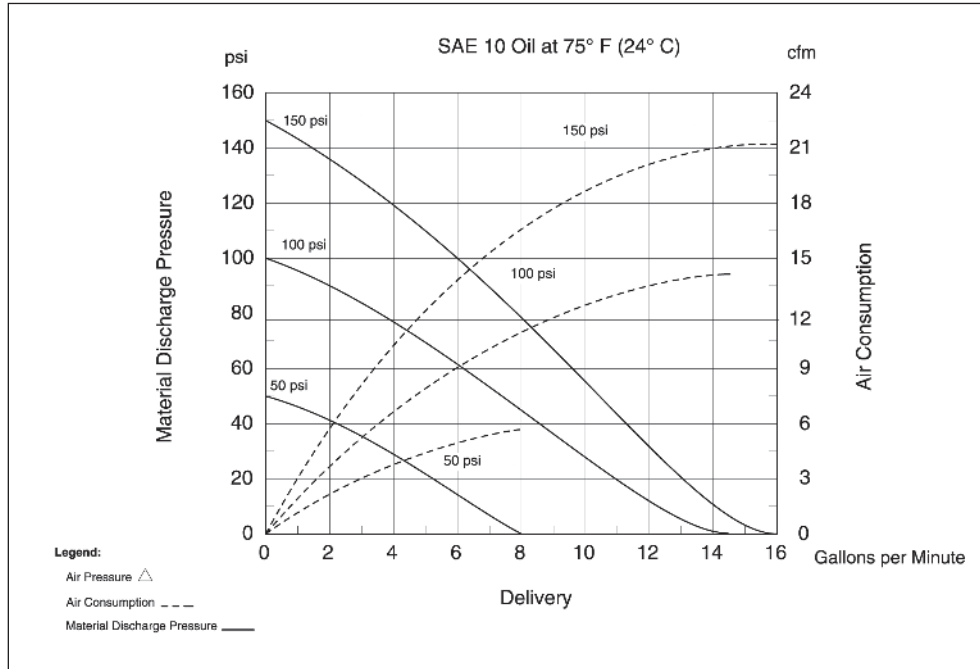
1. Locate required delivery along bottom of scale.
2. Follow vertical line up to where it intersects with air pressure curve (dashed line).
3. Follow line horizontally to the right column of chart to determine air consumption.



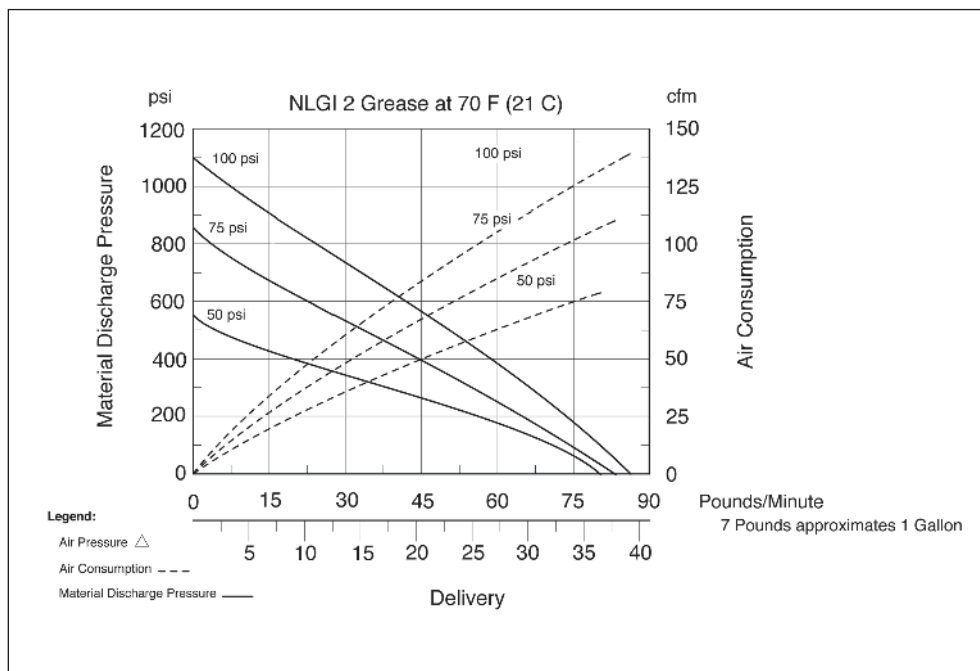
PUMP PERFORMANCE CHARTS

PUMP PERFORMANCE CURVES

7216 Series



7736 Series



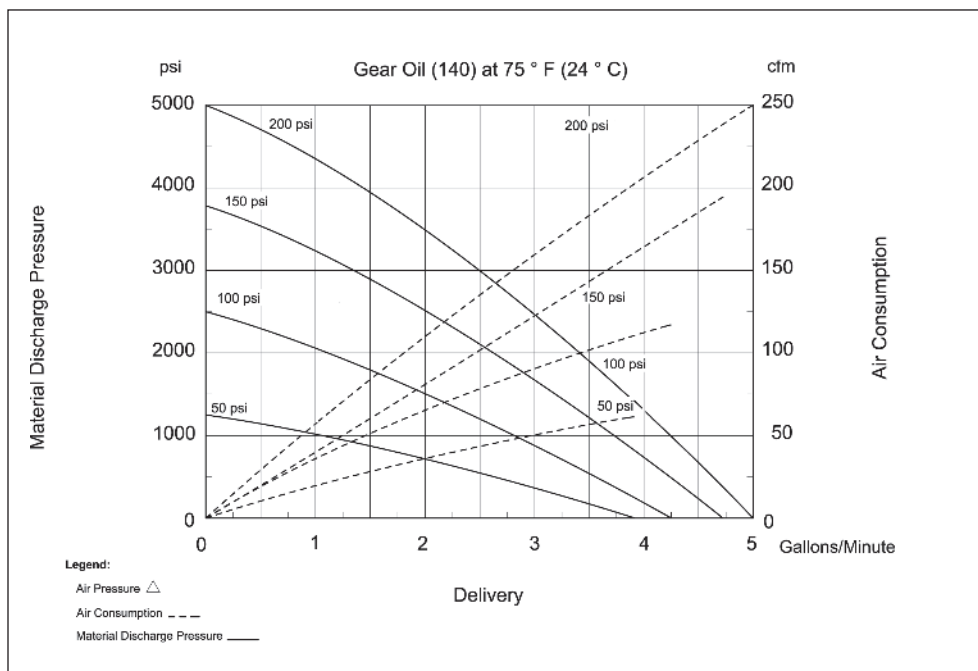


PUMP PERFORMANCE CURVES

7783 Series



7784 Series

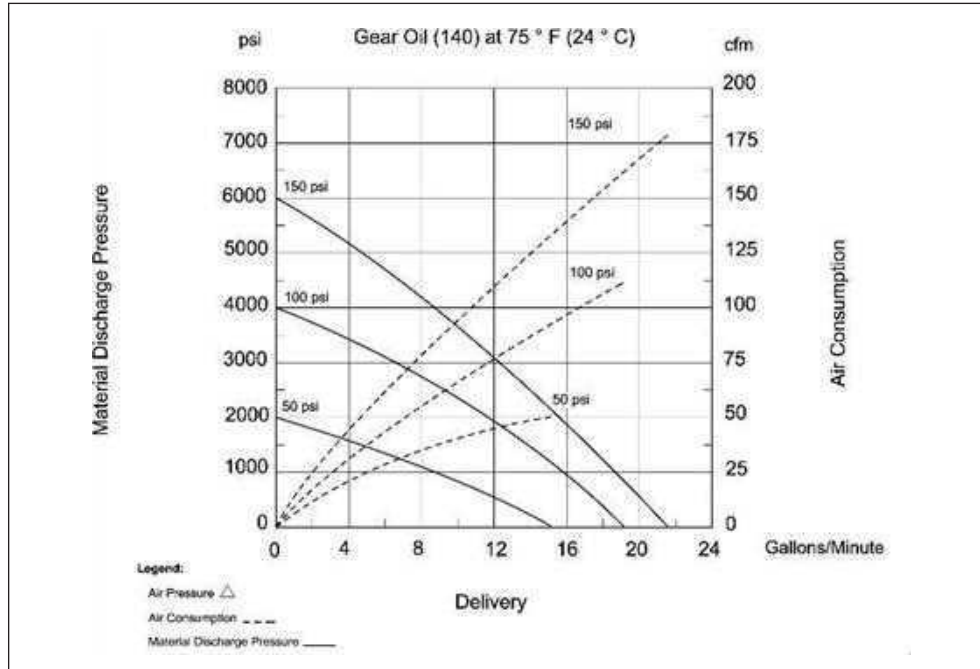




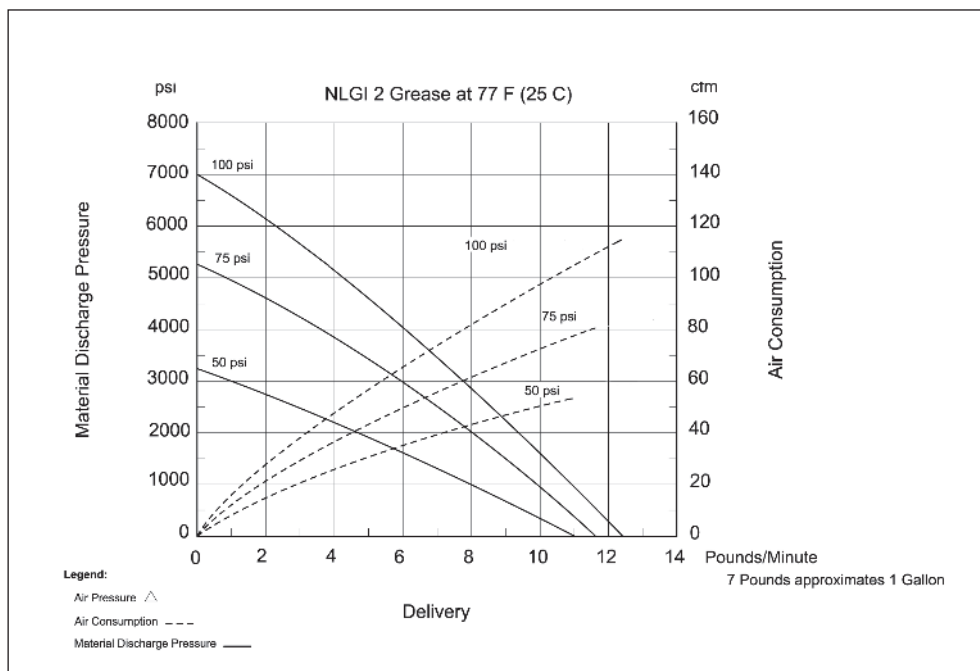
PUMP PERFORMANCE CHARTS

PUMP PERFORMANCE CURVES

7785 Series



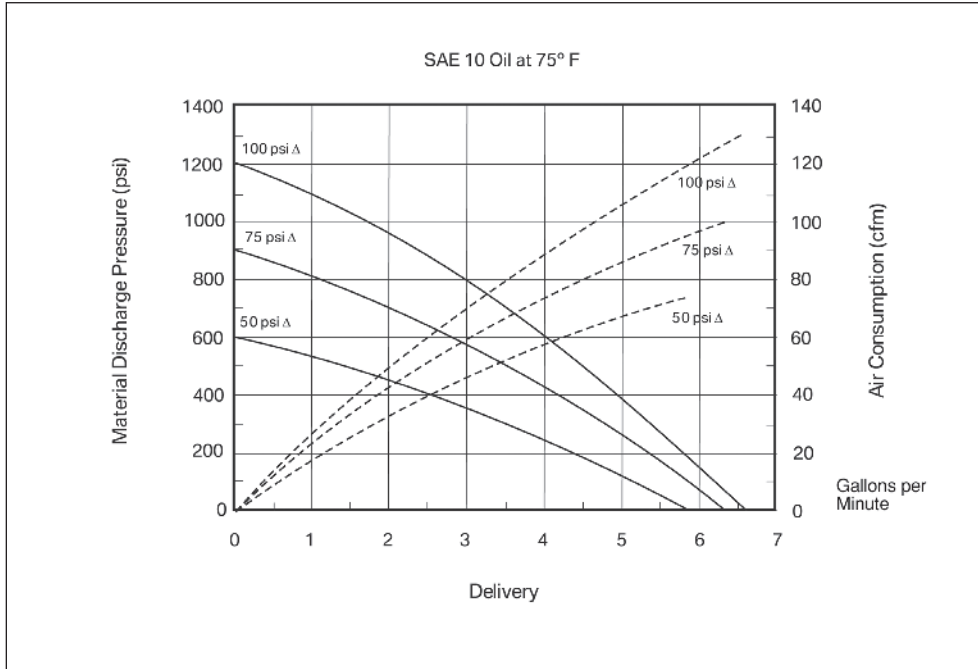
7730, 7786 Series



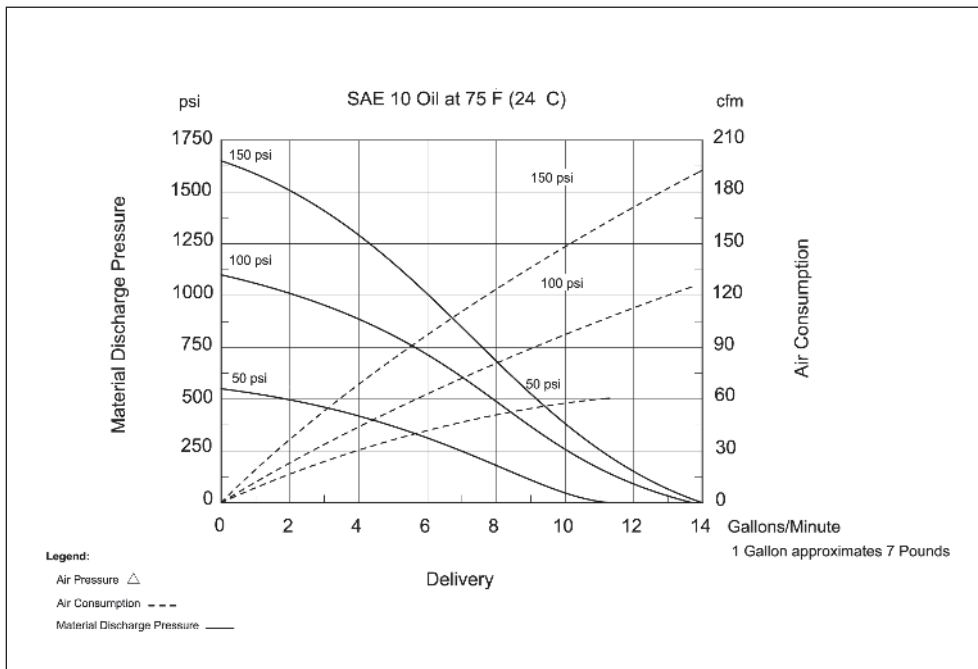


PUMP PERFORMANCE CURVES

7793



7886 Series

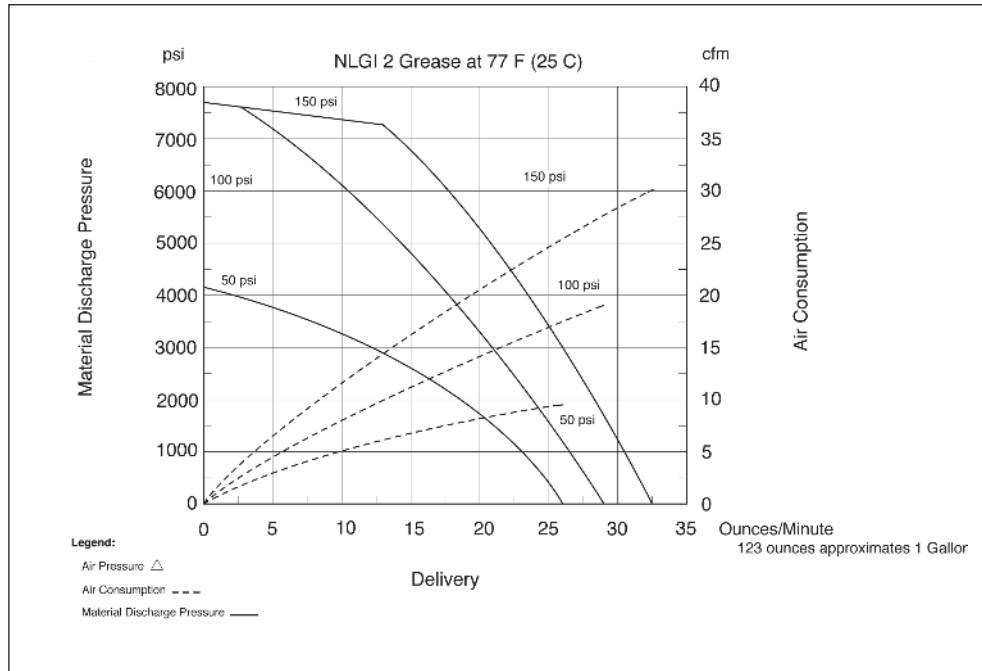




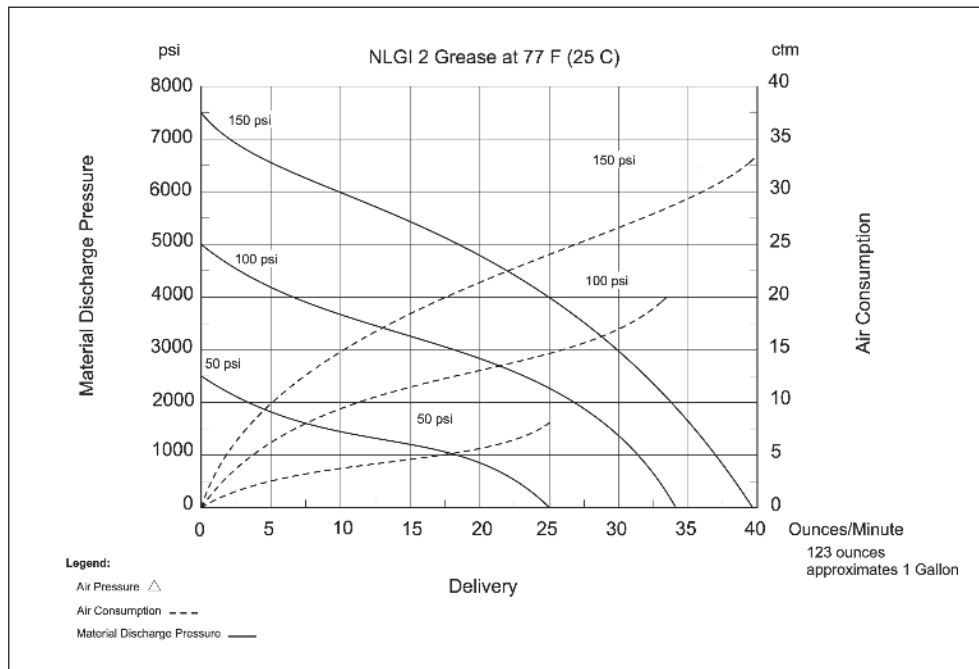
PUMP PERFORMANCE CHARTS

PUMP PERFORMANCE CURVES

8540, 8541, 8549 Series



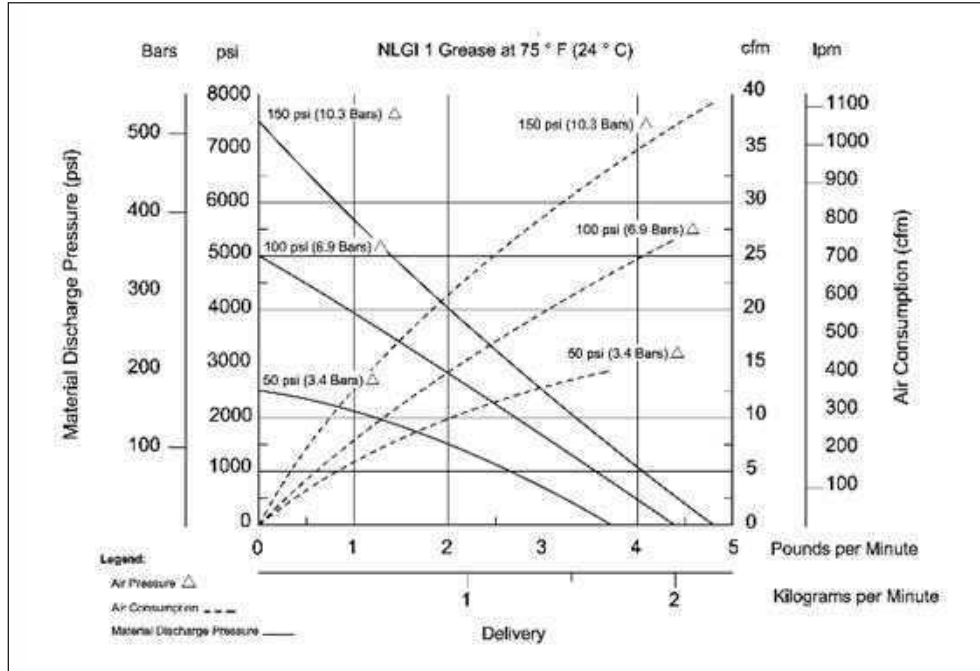
8550, 8559 Series



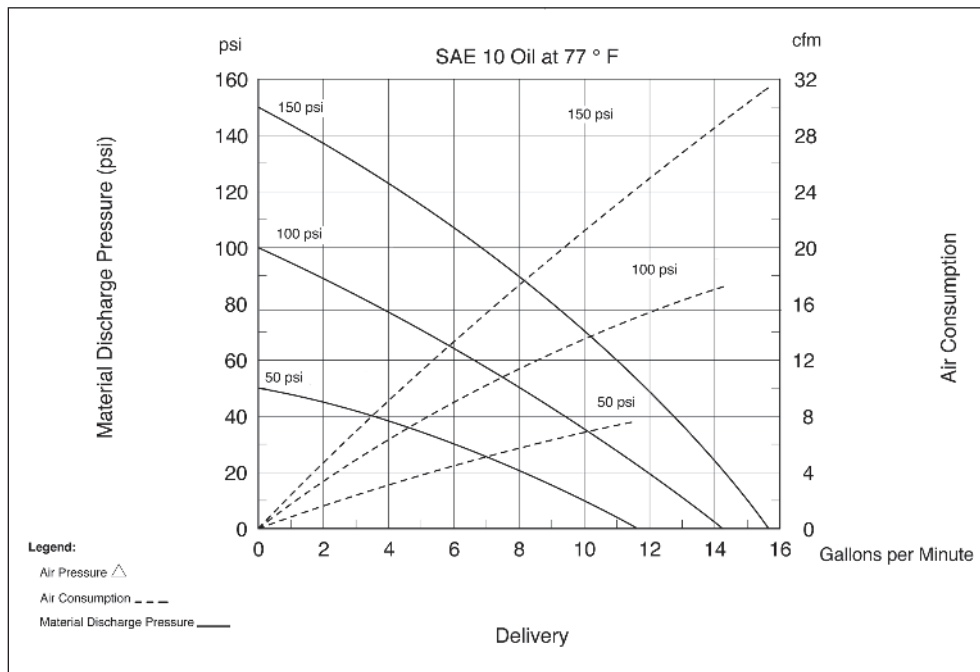


PUMP PERFORMANCE CURVES

9911-1, 9930, 9951-1, 9979



9916-A1

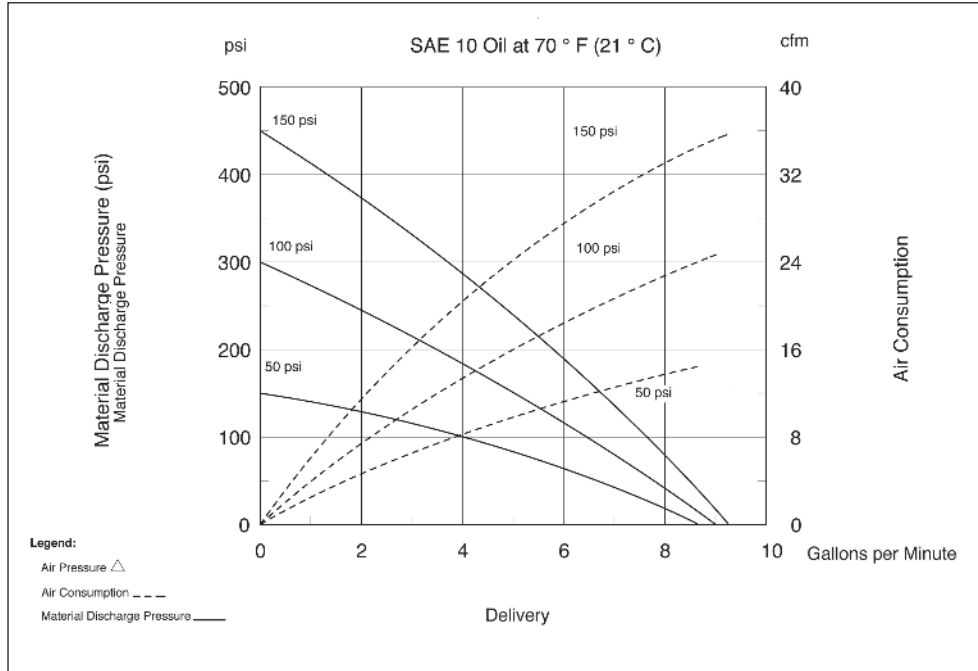




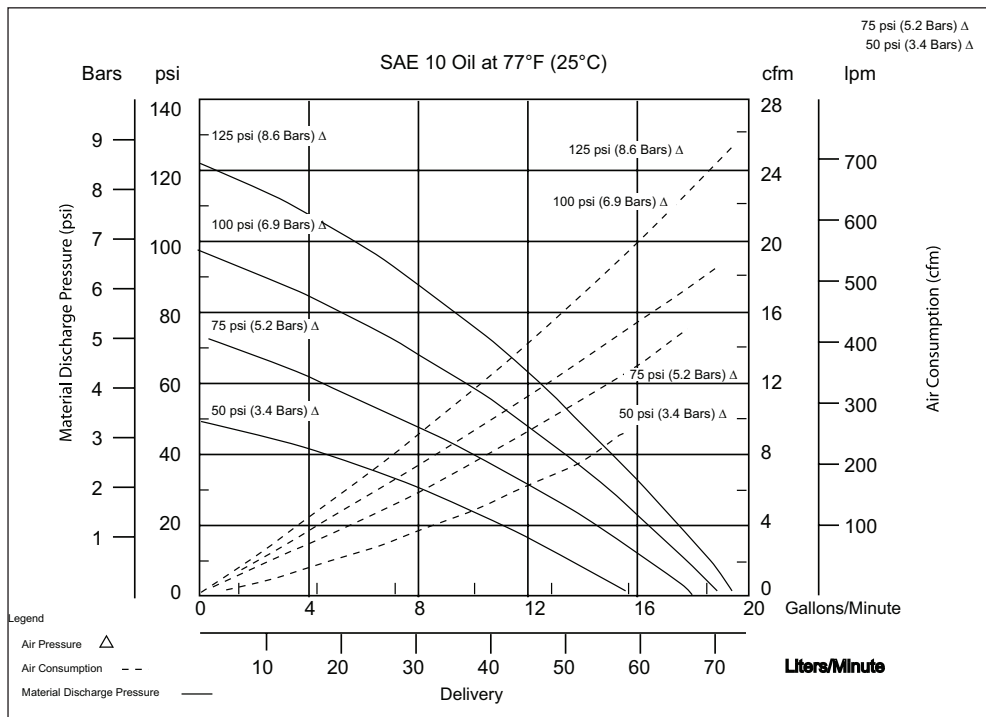
PUMP PERFORMANCE CHARTS

PUMP PERFORMANCE CURVES

9918-A



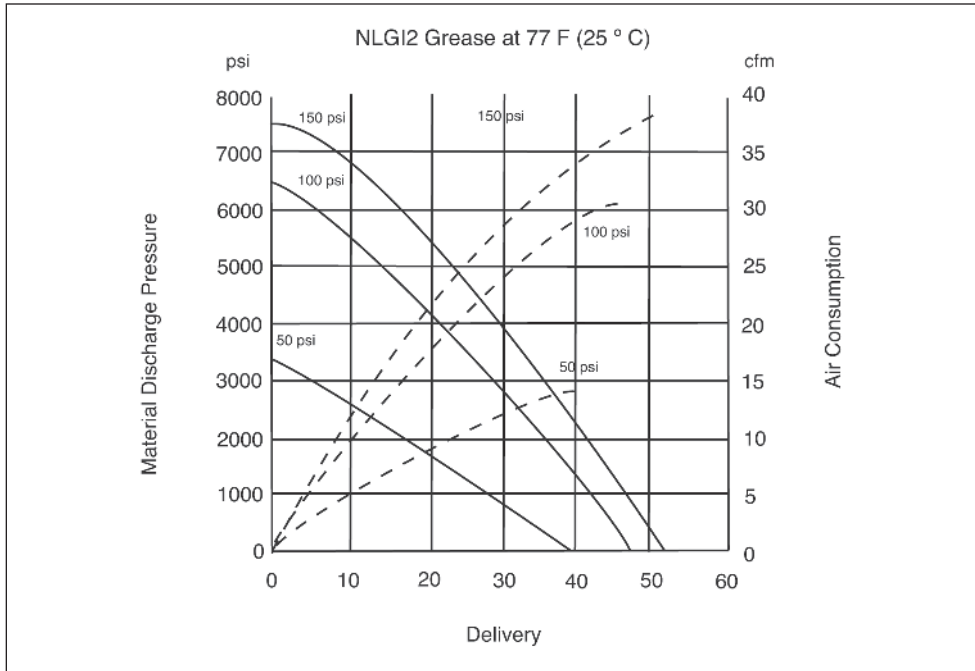
9920



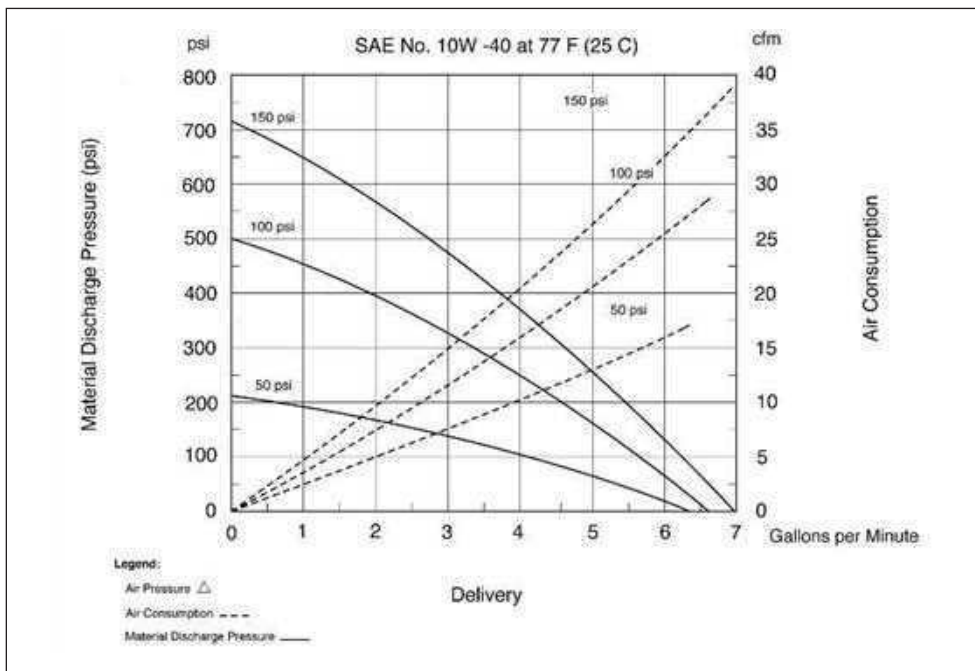


PUMP PERFORMANCE CURVES

9940, 9941, 9949



9960, 9968, 9969 Series

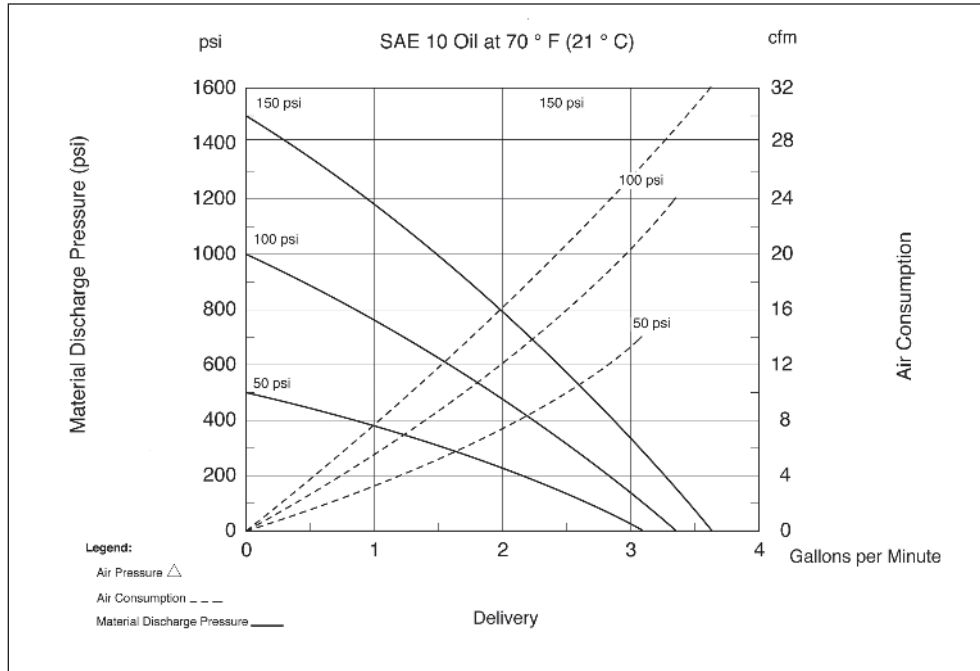




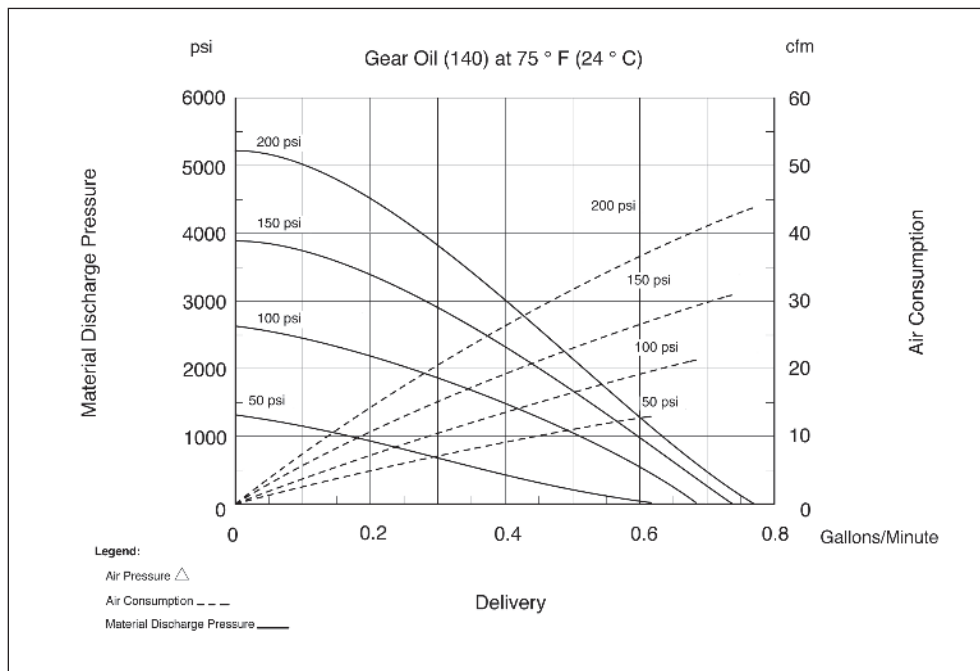
PUMP PERFORMANCE CHARTS

PUMP PERFORMANCE CURVES

9970 Series



331571 Series







PARTS INDEX



| Part Number | Page | | | | |
|---------------|---------------|-----------|-----|----------|------------------|
| 500 | 13 | 1612-AS | 134 | 1822-A1 | 114 |
| 500CLR | 14 | 1612-B | 104 | 1823-1 | 114 |
| 500CLR-E | 14 | 1613-AS | 134 | 1851 | 118 |
| 500-E | 13 | 1613-B | 104 | 1885 | 118 |
| 500-L | 13 | 1618-B | 104 | 1911-AS | 134 |
| 555 | 13 | 1620-B | 104 | 1911-AS1 | 135 |
| 555CLR | 14 | 1623-B | 104 | 1911-B1 | 102 |
| 555CLR-E | 14 | 1627-B | 106 | 1921-AS2 | 137 |
| 555-E | 13 | 1629-B | 106 | 1921-AS3 | 136 |
| 586-A | 11 | 1630-B1 | 111 | 1921-B | 108 |
| 586-B | 11 | 1631-B | 122 | 1921-S | 109 |
| 586-C | 11 | 1633 | 110 | 1922-AS2 | 137 |
| 586-D | 11 | 1634 | 119 | 1922-AS3 | 136 |
| 596-A1 | 10 | 1634-B | 119 | 1922-B | 108 |
| 596-B1 | 10 | 1637-AS | 134 | 1922-S | 109 |
| 596-C1 | 10 | 1637-AS1 | 135 | 1923-AS2 | 137 |
| 596-D1 | 10 | 1637-B1 | 102 | 1923-AS3 | 136 |
| 597-A | 10 | 1638-B | 104 | 1923-B | 108 |
| 597-B | 10 | 1641-AS | 134 | 1923-S | 109 |
| 597-C | 10 | 1641-AS1 | 135 | 1940-B | 124 |
| 597-D | 10 | 1641-B | 102 | 1952-A | 110 |
| 1000-44 | 128 | 1644-B | 104 | 1958 | 104 |
| 1000-88 | 128, 197, 199 | 1646-B1 | 111 | 1961-AS2 | 137 |
| 1001-44 | 129 | 1648-B1 | 122 | 1961-AS3 | 136 |
| 1001-66 | 129 | 1649-B | 104 | 1961-B | 108 |
| 1001-86 | 129, 195, 196 | 1650 | 119 | 1961-S | 109 |
| 1001-88 | 129 | 1650-AS | 134 | 1962-B | 108 |
| 1012-88 | 128 | 1652-B | 102 | 1966-AS2 | 137 |
| 1056-LE4 | 16 | 1666 | 110 | 1966-AS3 | 136 |
| 1056-S4 | 16 | 1669-B | 104 | 1966-B | 108 |
| 1056-SE4 | 16 | 1675-B | 123 | 1966-S | 109 |
| 1300-50E | 98 | 1680-AS | 134 | 1968-AS2 | 137 |
| 1300-50E-DW | 98 | 1680-AS1 | 135 | 1968-AS3 | 136 |
| 1300-50EP | 98 | 1680-B | 102 | 1968-S | 109 |
| 1300-50EP-DW | 98 | 1684-B | 104 | 1969-AS2 | 137 |
| 1300-50ER | 98 | 1688-AS | 134 | 1969-AS3 | 136 |
| 1300-50ER-DW | 98 | 1688-B | 104 | 1969-B | 108 |
| 1300-50Q | 98 | 1692 | 119 | 1969-S | 109 |
| 1300-50Q-DW | 98 | 1692-AS | 134 | 1984-AS1 | 135 |
| 1300U-50E | 98 | 1693 | 119 | 1992-B1 | 111 |
| 1300U-50E-DW | 98 | 1693-AS | 134 | 2103 | 112 |
| 1300U-50EP | 98 | 1698-B | 102 | 2105 | 112 |
| 1300U-50EP-DW | 98 | 1711-B | 122 | 2106 | 112 |
| 1300U-50ER | 98 | 1720-B | 107 | 2107 | 112 |
| 1300U-50ER-DW | 98 | 1723-B | 107 | 2108 | 112 |
| 1300U-50Q | 98 | 1724-B | 107 | 2109 | 112 |
| 1300U-50Q-DW | 98 | 1728-B | 110 | 2364-1 | 126 |
| 1450-IBC | 100 | 1728-S | 109 | 2365-1 | 126 |
| 1452 | 117 | 1736-A | 110 | 2371 | 126 |
| 1460-IBC | 100 | 1743-B | 110 | 2398-1 | 126 |
| 1480 | 129, 184 | 1744-B1 | 111 | 2741-4 | 57 |
| 1606-B | 104 | 1746-151 | 166 | 2742-4 | 57 |
| 1607-AS | 134 | 1746-151X | 166 | 3005 | 110 |
| 1607-B | 104 | 1770-AS | 134 | 3006 | 110 |
| 1608-B | 110 | 1770-B1 | 103 | 3009 | 110 |
| 1610-AS | 134 | 1792-AS | 134 | 3010-B1 | 102 |
| 1610-BL | 104 | 1792-AS1 | 135 | 3014-B | 102 |
| 1611-AS | 134 | 1792-B | 103 | 3016 | 122 |
| 1611-B | 104 | 1795-B | 124 | 3018 | 122 |
| | | 1814 | 118 | 3019 | 110 |
| | | 1815 | 117 | 3036 | 118 |
| | | 1820-1 | 114 | 3038-B | 107 |
| | | | | 3053-B | 107 |
| | | | | 3054-B | 107 |
| | | | | 3400 | 155 |
| | | | | 3530 | 12, 86 |
| | | | | 3530-A | 86 |
| | | | | 3530-B | 86 |
| | | | | 3530-C | 86 |
| | | | | 3572-A | 90 |
| | | | | 3572-B | 90 |
| | | | | 3573-A | 91 |
| | | | | 3573-B | 91 |
| | | | | 3575-C | 89 |
| | | | | 3579 | 91 |
| | | | | 3580-A | 143, 144 |
| | | | | 3580-B | 143, 144 |
| | | | | 3640-3 | 85 |
| | | | | 3641-3 | 85 |
| | | | | 3643-3 | 85 |
| | | | | 3644-C3 | 85 |
| | | | | 3645-C3 | 85 |
| | | | | 3670 | 52, 84, 100, 198 |
| | | | | 3670-B | 84 |
| | | | | 3671 | 52, 84, 100, 198 |
| | | | | 3671-B | 84, 194 |
| | | | | 3673 | 84 |
| | | | | 3674-C | 84 |
| | | | | 3679 | 84, 95 |
| | | | | 3685-A | 87 |
| | | | | 3685-B | 87 |
| | | | | 3685-F | 87, 197, 199 |
| | | | | 3685-G | 87 |
| | | | | 3685-M | 87 |
| | | | | 3686-B | 87 |
| | | | | 3690-C | 88 |
| | | | | 3691-C | 88 |
| | | | | 3692-C | 88 |
| | | | | 3693-C | 88 |
| | | | | 3696-C | 88 |
| | | | | 3720-A6 | 178 |
| | | | | 3720-B6 | 178 |
| | | | | 3721-A6 | 178 |
| | | | | 3721-B6 | 178 |
| | | | | 3722-A6 | 178 |
| | | | | 3722-B6 | 178 |
| | | | | 3725-A6 | 178 |
| | | | | 3726-A6 | 178 |
| | | | | 3726-B6 | 178 |
| | | | | 3730-BW6 | 179 |
| | | | | 3730-RW6 | 179 |
| | | | | 3731-BW6 | 179 |
| | | | | 3731-RW6 | 179 |
| | | | | 3732-BW6 | 179 |
| | | | | 3732-RW6 | 179 |
| | | | | 3736-BW6 | 179 |
| | | | | 3736-RW6 | 179 |
| | | | | 3922-A | 174 |
| | | | | 3922-AC | 174 |
| | | | | 3922-B | 174 |
| | | | | 3922-BC | 174 |
| | | | | 3922-BD | 174 |
| | | | | 3942-BC | 175 |
| | | | | 3942-BD | 175 |



| | | | | | | | |
|----------|-------------------|---------|--------|------------|----------------------------|----------|---------|
| 3942-CB | 175 | 6796 | 44 | 7498-C | 93 | 8078-DW | 62 |
| 3942-CC | 175 | 6799 | 45 | 7504-1 | 161 | 8078-E | 63 |
| 3942-DD | 175 | 6800 | 24, 25 | 7506-1 | 161 | 8078-F | 63 |
| 3943-B | 175 | 7089 | 23 | 7508 | 161 | 8078-FBK | 63 |
| 3943-BC | 175 | 7117-1 | 43 | 7531-4 | 41 | 8078-FBL | 63 |
| 3943-BD | 175 | 7118-1 | 42 | 7531-A4 | 41 | 8078-FW | 63 |
| 3943-CB | 175 | 7134-A | 63 | 7533-4 | 43 | 8078-G | 66 |
| 3943-CC | 175 | 7134-B | 63 | 7534-4 | 43 | 8078-H | 66 |
| 3943-DD | 175 | 7134-C | 63 | 7535-4 | 43 | 8078-J | 67 |
| 4015-A4 | 15 | 7135-A | 63 | 7537-4 | 42 | 8078-K | 67 |
| 4015-B4 | 15 | 7135-B | 63 | 7538-4 | 42 | 8078-M | 63 |
| 4035 | 20 | 7135-C | 63 | 7539-4 | 42 | 8078-N | 66 |
| 5253 | 110 | 7136-A | 63 | 7542 | 96, 172 | 8078-P | 66 |
| 5253-1 | 110 | 7136-B | 63 | 7604-1 | 160 | 8078-R | 67 |
| 5253-3 | 110 | 7136-C | 63 | 7604-B | 160 | 8078-T | 62 |
| 5254-1 | 111 | 7149-4 | 40 | 7606-1 | 160 | 8079-A | 72 |
| 5604-3 | 162 | 7149-A4 | 40 | 7606-B | 160 | 8079-B | 72 |
| 5606-3 | 162 | 7149-E4 | 40 | 7608-1 | 160 | 8079-C | 72 |
| 5608-3 | 162 | 7149-T | 40 | 7608-B | 160 | 8079-D | 72 |
| 5612-2 | 162 | 7175-R4 | 37 | 7612-B | 160 | 8079-E | 72 |
| 5616-2 | 162 | 7181-4 | 39 | 7616-B | 160 | 8079-F | 72 |
| 5644-2 | 162 | 7181-K | 39 | 7624-A | 160 | 8080-A | 64, 70 |
| 5904-3 | 162 | 7216-4 | 46 | 7730 | 36 | 8080-B | 64, 70 |
| 5906-3 | 162 | 7216-A4 | 46 | 7735 | 36 | 8080-C | 71 |
| 5908-3 | 162 | 7216-B | 46 | 7736 | 36 | 8080-D | 71 |
| 5912-2 | 162 | 7216-S3 | 46 | 7783-A4 | 31, 199 | 8080-E | 65, 71 |
| 5916-2 | 162 | 7222-B4 | 46 | 7783-C4 | 31 | 8080-F | 71 |
| 6067-1 | 96, 172 | 7260 | 77 | 7784-A4 | 36 | 8080-G | 71 |
| 6135 | 127 | 7261 | 77 | 7785-A5 | 36, 196 | 8080-H | 70 |
| 6136 | 127 | 7262-A | 77 | 7785-B5 | 36 | 8081-A | 68 |
| 6239 | 96, 172 | 7316-B | 65 | 7786-A5 | 36 | 8081-B | 68, 194 |
| 6243-J3 | 17 | 7316-C | 65 | 7786-C | 36 | 8081-C | 68 |
| 6243-J3E | 17 | 7316-F | 65 | 7793-A1 | 31 | 8081-D | 68, 194 |
| 6248-1 | 24 | 7317-K | 65 | 7793-C | 31 | 8081-E | 69 |
| 6268-2 | 18 | 7331 | 73 | 7795-A5 | 36 | 8081-F | 69 |
| 6278 | 96, 172 | 7334-B | 63 | 7795-B5 | 36 | 8081-G | 69 |
| 6279 | 22 | 7334-C | 67 | 7818-F5 | 57 | 8081-H | 75 |
| 6304-B | 26, 130 | 7334-D | 73 | 7835-SDTR1 | 47 | 8081-J | 68 |
| 6304-C | 26, 130 | 7335-B | 63 | 7836-C1 | 93 | 8081-K | 69 |
| 6320-3 | 92, 194, 195, 196 | 7335-C | 67 | 7880-C1 | 46 | 8301 | 50 |
| 6320-C | 92 | 7335-D | 73 | 7886-A5 | 48 | 8322 | 50, 194 |
| 6438 | 92 | 7336-B | 63 | 7886-S5 | 48 | 8322-A | 50 |
| 6509-D | 26, 130 | 7336-C | 67 | 7936 | 52, 100, 161, 198 | 8322-B | 50 |
| 6509-E | 26, 130 | 7336-D | 73 | 8016-B | 64 | 8322-C | 50, 154 |
| 6598-B | 53 | 7337-C | 67 | 8016-C | 64 | 8322-D | 50 |
| 6615-G | 40, 58 | 7338-B | 74 | 8016-F | 65 | 8323 | 50 |
| 6616-G | 40, 58 | 7338-C | 74 | 8017-K | 65 | 8324 | 50 |
| 6617-K | 58 | 7340 | 71 | 8051-1 | 77 | 8325 | 50 |
| 6638-B | 22 | 7341 | 71 | 8071-A | 74 | 8327 | 50 |
| 6647 | 163 | 7342 | 71 | 8071-B | 74 | 8329 | 50 |
| 6654-A | 23 | 7343 | 75 | 8071-D | 74 | 8340 | 50 |
| 6679-J3 | 17 | 7344 | 75 | 8072-B | 76, 156 | 8422 | 153 |
| 6679-J3E | 17 | 7345 | 71 | 8078-A | 62 | 8423 | 154 |
| 6703-B | 23 | 7346 | 71 | 8078-B | 62, 195, 196 | 8424 | 157 |
| 6704-A | 23 | 7370 | 69 | 8078-BBK | 62 | 8430 | 153 |
| 6704-B | 23 | 7371 | 69 | 8078-BBL | 62 | 8540-A1 | 34 |
| 6709-A4 | 53 | 7372 | 69 | 8078-BW | 62 | 8540-B | 34 |
| 6709-B4 | 53 | 7373 | 69 | 8078-C | 62 | 8541-5 | 35 |
| 6713-4 | 41 | 7374 | 75 | 8078-D | 52, 62, 100, 197, 198, 199 | 8549-B1 | 34 |
| 6777-5 | 39, 40, 171 | 7492 | 93 | 8078-DBK | 62 | 8549-C | 34 |
| 6778 | 24 | 7498 | 93 | 8078-DBL | 62 | 8550-A1 | 34, 195 |
| 6783 | 96, 172 | 7498-A | 93 | 8078-DBL | 62 | 8553-2 | 35 |



| | | | | | | | |
|---------------|-----------------------|---------------|---------|-----------------|-------------------------|-----------------|--------------|
| 8559-B..... | 34 | 31152-A..... | 177 | 47640..... | 116 | 317813-7..... | 81 |
| 8568-A4..... | 30 | 31152-B..... | 177 | 47703..... | 128 | 317813-15..... | 81 |
| 8570-5..... | 43 | 31152-C..... | 177 | 48925..... | 184 | 317813-25..... | 81 |
| 8586..... | 147 | 31152-D..... | 177 | 50491..... | 26, 130 | 317813-30..... | 81 |
| 8586-A..... | 147 | 31152-E..... | 177 | 50500..... | 116 | 317813-50..... | 81 |
| 8587-1..... | 147 | 31154-A..... | 177 | 51185..... | 26, 130 | 317813-80..... | 96, 172 |
| 8588..... | 148 | 31154-B..... | 177 | 51219..... | 80, 96, 172 | 317813-100..... | 96, 172 |
| 8589..... | 148 | 31154-C..... | 177 | 51543..... | 80 | 317850-1..... | 96, 172 |
| 8589-A..... | 148 | 31154-D..... | 177 | 51888..... | 128, 195, 196, 197, 199 | 317850-1F..... | 22 |
| 8592..... | 147 | 31154-E..... | 177 | 51891..... | 129 | 317850-2..... | 22 |
| 8595-A..... | 149 | 31159-A..... | 177 | 51942..... | 128 | 317850-3..... | 22 |
| 8595-B..... | 149 | 31159-B..... | 177 | 51943..... | 129, 131 | 317853-5..... | 58 |
| 8595-C..... | 149 | 31159-C..... | 177 | 52797..... | 128 | 317854-5F..... | 39, 58 |
| 8597..... | 146 | 31159-D..... | 177 | 54269..... | 22 | 317860-1..... | 96, 172 |
| 8700-A..... | 38 | 31159-E..... | 177 | 54730..... | 80 | 317868-30..... | 82 |
| 8700-A1..... | 38 | 32301-A..... | 177 | 54732..... | 80 | 317869-50..... | 82 |
| 8700-B..... | 38 | 32301-B..... | 177 | 130552..... | 128, 195, 196, 197, 199 | 317870-50..... | 81 |
| 8700-B1..... | 38 | 32301-C..... | 177 | 131000-T..... | 120 | 317870-70..... | 81 |
| 8700-C..... | 38 | 32301-D..... | 177 | 131586..... | 129 | 317870-80..... | 81 |
| 8700-C1..... | 38 | 32301-E..... | 177 | 170008..... | 129 | 317874-30..... | 81 |
| 8702-A..... | 38 | 32302-A..... | 177 | 300805..... | 120 | 317874-50..... | 81 |
| 8702-A1..... | 38 | 32302-B..... | 177 | 301980..... | 80, 96, 172 | 317875-1F..... | 81 |
| 8702-B..... | 38 | 32302-C..... | 177 | 304300..... | 26, 130 | 317875-7..... | 81 |
| 8702-B1..... | 38 | 32302-D..... | 177 | 304300-A..... | 26, 130 | 317875-10..... | 81 |
| 8702-C..... | 38 | 32302-E..... | 177 | 304301..... | 26, 130 | 317875-14..... | 81 |
| 8702-C1..... | 38 | 32304-A..... | 177 | 304810..... | 120 | 317875-20..... | 81 |
| 9911-A1..... | 33 | 32304-B..... | 177 | 305859..... | 128 | 317875-25..... | 81 |
| 9911-C1..... | 33 | 32304-C..... | 177 | 306586..... | 80, 96, 172 | 317875-30..... | 81 |
| 9911-H1..... | 33 | 32304-D..... | 177 | 306722..... | 131 | 317875-40..... | 81 |
| 9911-HB1..... | 33 | 32304-E..... | 177 | 306741..... | 25 | 317875-50..... | 81 |
| 9911-HC1..... | 33 | 32309-A..... | 177 | 307111..... | 163 | 317875-70..... | 81 |
| 9911-J..... | 33 | 32309-B..... | 177 | 307112..... | 163 | 317876-5..... | 81 |
| 9911-Z1..... | 33 | 32309-C..... | 177 | 307115..... | 163 | 317878-10..... | 81 |
| 9916-A1..... | 28 | 32309-D..... | 177 | 307116..... | 163 | 317878-50..... | 81 |
| 9918-A..... | 28 | 32309-E..... | 177 | 307925..... | 128 | 317882-2..... | 96, 172 |
| 9920..... | 28 | 40996..... | 129 | 308730..... | 12, 26, 130 | 317882-7..... | 81, 195, 196 |
| 9930..... | 32 | 41531..... | 96, 172 | 308730-A..... | 26, 130 | 317898-5..... | 96, 172 |
| 9940..... | 32 | 41729..... | 128 | 308785..... | 195, 196 | 318040-4..... | 54 |
| 9941..... | 33 | 42030..... | 26, 130 | 310048..... | 24 | 319702..... | 26, 130 |
| 9949..... | 32 | 42030-A..... | 26, 130 | 310912..... | 127 | 320354..... | 129 |
| 9950-1..... | 32 | 42031-A..... | 26, 130 | 313650..... | 121 | 321206..... | 96, 141, 172 |
| 9950-A1..... | 32, 195 | 42159..... | 128 | 314150..... | 26, 131 | 321340..... | 170, 194 |
| 9950-C1..... | 32 | 42702..... | 127 | 314898..... | 55 | 321620..... | 121 |
| 9950-D1..... | 32 | 42703..... | 127 | 316315-5..... | 170 | 321839..... | 116 |
| 9951-1..... | 33 | 42763..... | 96, 172 | 317400..... | 116 | 322120..... | 26, 130 |
| 9951-S1..... | 33 | 42802..... | 96, 172 | 317400-E..... | 115 | 322434..... | 40, 58 |
| 9951-T1..... | 33 | 43379..... | 128 | 317803-3..... | 82, 195, 196, 197 | 322610..... | 12 |
| 9960..... | 28 | 43570-A2..... | 167 | 317803-7..... | 82 | 323060..... | 116 |
| 9960-A..... | 28, 197 | 43706..... | 131 | 317803-25..... | 82 | 323449-4..... | 161 |
| 9961-1..... | 29 | 43716..... | 131 | 317803-30..... | 82 | 323800-4..... | 54 |
| 9968..... | 28, 52, 100, 194, 198 | 43718..... | 131 | 317803-40..... | 82 | 323847-4..... | 54, 196 |
| 9968-A..... | 28 | 43748..... | 131 | 317803-50..... | 82 | 324170..... | 199 |
| 9969-B..... | 28, 197 | 43760..... | 128 | 317807-5F..... | 82 | 324970..... | 120 |
| 9970..... | 28 | 43761..... | 128 | 317809-5F..... | 82 | 325540-1..... | 18 |
| 9979..... | 32 | 43762..... | 128 | 317811-5..... | 36, 82, 199 | 325540-2..... | 18 |
| 9979-A..... | 32, 194 | 44701..... | 131 | 317811-50..... | 82 | 325749..... | 59 |
| 17831..... | 129 | 44734..... | 128 | 317811-80..... | 82 | 326314..... | 117 |
| 31151-A..... | 177 | 45120..... | 129 | 317811-100..... | 96, 172 | 326370-1..... | 183 |
| 31151-B..... | 177 | 47100..... | 116 | 317813-1..... | 96, 172 | 326370-2..... | 183 |
| 31151-C..... | 177 | 47100-E..... | 115 | 317813-2..... | 81, 141 | 326370-3..... | 183 |
| 31151-D..... | 177 | 47200..... | 116 | 317813-5..... | 81 | 326370-4..... | 183 |
| 31151-E..... | 177 | 47200-E..... | 115 | 317813-5F..... | 81, 197, 199 | 326370-5..... | 183 |



INDEX

| | | | | | | | |
|-----------|---------------|------------|---------------|----------|--------------|------------|------------|
| 326370-6 | 183 | 338685 | 150 | 340067 | 12 | 343261 | 149 |
| 326370-7 | 183 | 338801 | 55 | 340078 | 150 | 343262 | 149 |
| 326370-8 | 183 | 338802 | 55, 195 | 340080 | 141, 142 | 343274 | 149 |
| 326370-9 | 183 | 338803 | 55 | 340084 | 94 | 343283 | 59, 149 |
| 326370-10 | 183 | 338804 | 55 | 340276 | 96, 172 | 343289 | 10, 11, 12 |
| 326432 | 56 | 338825 | 55 | 340289-1 | 150 | 343291 | 10 |
| 326463-B1 | 56 | 338860 | 160, 195, 197 | 340289-2 | 150 | 343303 | 163 |
| 326750 | 56 | 338862 | 160, 196, 199 | 340289-3 | 150 | 343312 | 143 |
| 326750-B1 | 36, 56 | 338911 | 55 | 340338 | 12 | 343313 | 144 |
| 326750-E1 | 56 | 338912 | 55, 196 | 340341 | 171 | 343314 | 143 |
| 327033 | 128 | 338923 | 55 | 340528-2 | 75 | 343432 | 11 |
| 327240 | 120 | 338958 | 171 | 340741 | 96, 172 | 343500 | 10, 11, 12 |
| 328030 | 163, 195, 197 | 338977 | 54 | 340989 | 38 | 343501 | 10, 11, 12 |
| 328031 | 163, 196, 199 | 338981 | 54 | 340992 | 38 | 343509 | 99 |
| 328032 | 163 | 338982 | 54 | 340993 | 38 | 343510 | 99 |
| 328033 | 163 | 338983 | 54 | 340994 | 38 | 343521 | 10 |
| 328034 | 163, 195, 197 | 338984 | 54 | 340997 | 38 | 343530 | 141 |
| 328036 | 163 | 338991 | 55 | 340998 | 38 | 343531 | 141 |
| 328037 | 163, 196, 199 | 338992 | 55 | 340999 | 38 | 343533-100 | 141 |
| 328190-B4 | 59 | 338993 | 55 | 343025 | 141 | 343533-250 | 141 |
| 328224 | 129 | 339005 | 141, 142 | 343067 | 141, 142 | 343533-500 | 141 |
| 328303-42 | 127 | 339006 | 142 | 343068 | 141, 142 | 343535 | 140 |
| 328435 | 129 | 339007 | 142 | 343076 | 52, 100, 198 | 343537 | 141 |
| 330766 | 120 | 339084 | 94 | 343077 | 52, 100, 198 | 343540 | 141 |
| 331378-E1 | 34 | 339100 | 93 | 343084 | 34 | 343542 | 141 |
| 331378-F1 | 34 | 339276 | 141, 142 | 343085 | 34 | 343543 | 141 |
| 331378-H1 | 34 | 339277-1 | 141, 142 | 343090 | 95 | 343544 | 141 |
| 331380-E1 | 34 | 339277-2 | 141, 142 | 343091-1 | 95 | 343545 | 141 |
| 331380-M1 | 34 | 339318 | 142 | 343092-1 | 95 | 343546 | 141 |
| 331571-A5 | 49 | 339368 | 73 | 343093 | 95 | 343586 | 140 |
| 331571-B5 | 49 | 339371 | 73 | 343096 | 92 | 343587 | 140 |
| 331571-C5 | 49 | 339389 | 80 | 343098 | 95 | 343589 | 140 |
| 334850 | 170 | 339389-1 | 80 | 343101 | 154 | 343590 | 140 |
| 336551 | 128 | 339389-2 | 80 | 343102 | 154 | 343591 | 140 |
| 336575-B1 | 170 | 339538 | 80 | 343109 | 153 | 343592 | 140 |
| 336899 | 170 | 339539-50 | 82 | 343110 | 153 | 343596 | 142 |
| 337437 | 80 | 339570 | 22 | 343111 | 153 | 343628 | 140 |
| 337665 | 55 | 339588 | 166 | 343120 | 157 | 343629 | 140 |
| 338145 | 54 | 339589 | 166 | 343121 | 157 | 343632 | 14 |
| 338147-1 | 60 | 339590 | 166 | 343122 | 157 | 343662 | 79 |
| 338147-2 | 60 | 339592 | 166 | 343123-1 | 157 | 343665 | 78 |
| 338147-3 | 60 | 339594 | 166 | 343123-2 | 157 | 343670-1 | 78 |
| 338147-4 | 60 | 339596 | 166 | 343123-3 | 157 | 343670-2 | 78 |
| 338147-7 | 60 | 339598 | 166 | 343123-4 | 157 | 343670-3 | 78 |
| 338147-9 | 60 | 339600 | 166 | 343124 | 157 | 343670-4 | 78 |
| 338147-10 | 60 | 339603 | 166 | 343125 | 157 | 343670-5 | 78 |
| 338163 | 54 | 339630-RD | 127 | 343138 | 153 | 343670-6 | 78 |
| 338166 | 54 | 339630-WH | 127 | 343139 | 154 | 343672 | 78 |
| 338246-1 | 60 | 339683 | 56, 150 | 343140 | 157 | 343673 | 78 |
| 338246-3 | 60 | 339684-18 | 81 | 343141 | 157 | 343674 | 78 |
| 338246-4 | 60 | 339738 | 127 | 343142 | 157 | 343675 | 78 |
| 338246-5 | 60 | 339760 | 127 | 343143-2 | 157 | 343676 | 78 |
| 338246-10 | 60 | 339762-50 | 127 | 343170 | 12 | 343677 | 78 |
| 338315 | 141, 142 | 339762-150 | 127 | 343172 | 59 | 343682-30 | 75 |
| 338370-2 | 60 | 339812 | 12 | 343173 | 59 | 343683 | 141 |
| 338371 | 54 | 339813 | 127 | 343183 | 152 | 343684 | 141 |
| 338382 | 116 | 339841 | 131 | 343185 | 152 | 369518 | 121 |
| 338550 | 150 | 339948 | 161 | 343191 | 141, 142 | 369528 | 121 |
| 338552 | 129 | 340004 | 131 | 343192 | 141, 142 | 369533 | 119 |
| 338554 | 150 | 340011 | 51 | 343200 | 50 | 369568 | 121 |
| 338557 | 150 | 340012 | 51 | 343201 | 50 | 369574 | 104 |
| 338564 | 149 | 340062 | 96, 172 | 343259 | 95 | 369577 | 110 |

| | | | | | |
|-----------|--------------|-----------|--------------|------------|--------------------|
| 369582 | 107 | 383617-12 | 183 | B2103 | 125 |
| 369583 | 121 | 383617-13 | 183 | B2105 | 125 |
| 369586 | 131 | 383617-14 | 183 | B2106 | 125 |
| 369591 | 110 | 384280-1 | 183 | B2108 | 125 |
| 369593 | 116 | 384280-2 | 183 | B2109 | 125 |
| 369594 | 131 | 384280-3 | 183 | B6238 | 24 |
| 369599 | 104 | 384280-4 | 183 | B6239 | 24 |
| 369604 | 110 | 384280-5 | 183 | B6278 | 24 |
| 369608 | 104 | 384280-6 | 183 | B6304-B | 96, 172 |
| 369609 | 103 | 384280-7 | 183 | B6304-C | 96, 172 |
| 369613 | 124 | 384280-8 | 183 | B6509-D | 96, 172 |
| 369616 | 122 | 384280-9 | 183 | B6509-E | 96, 172 |
| 369622 | 120 | 384280-10 | 183 | B6638 | 22 |
| 380372-A1 | 56, 197, 199 | 384889 | 188 | B6638-A | 22 |
| 380372-B1 | 56, 195, 196 | 385033 | 188 | B6647 | 163 |
| 380791-2 | 180 | 385662-A1 | 185 | B6652-A | 23 |
| 380791-4 | 180 | 387275 | 188 | B6703-A | 23 |
| 380791-6 | 180 | 387390 | 166 | B6783 | 24 |
| 380791-10 | 180 | 387603-2 | 180 | B52750 | 80 |
| 380791-16 | 180 | 387603-4 | 180 | B52751 | 80 |
| 381173-2 | 184 | 387603-6 | 180 | B52752 | 80 |
| 381174-2 | 184 | 387603-8 | 180 | B306740 | 25 |
| 381190-2 | 184 | 387603-10 | 180 | B308730 | 96, 172 |
| 381192-2 | 184 | 387603-16 | 180 | B315790 | 131 |
| 381193-2 | 184 | 387613 | 185 | B315791 | 131 |
| 381281-1 | 182 | 388034 | 186 | B317850-1 | 22 |
| 381281-2 | 182 | 388037 | 184 | B321320 | 80, 194 |
| 381281-3 | 182 | 388235 | 185 | B322610 | 25 |
| 381281-4 | 182 | 388236 | 185 | B328030 | 163, 195 |
| 381281-5 | 182 | 388243 | 185 | B328034 | 163, 195 |
| 381282-1 | 182 | 388415 | 187 | B330070 | 26, 130 |
| 381282-2 | 182 | 388612 | 188 | B330604 | 163 |
| 381282-3 | 182 | 391421 | 96, 161, 172 | B331107 | 80, 195, 196 |
| 381282-5 | 182 | 393810-11 | 143, 144 | B334547-1 | 163 |
| 381283-3 | 181 | 398726 | 26, 131 | B336770 | 24 |
| 381283-5 | 181 | 398727 | 26, 131 | B337595-A1 | 22 |
| 381283-8 | 181 | A112 | 129 | B337595-B1 | 22 |
| 381288-1 | 181 | A113 | 129 | B339800 | 94 |
| 381288-3 | 181 | A336 | 123 | C69 | 113 |
| 381288-5 | 181 | A359 | 123 | C600 | 19 |
| 381288-8 | 181 | A908-A | 96, 172 | F100 | 19 |
| 381290-2 | 180 | A1184 | 113 | F101 | 21 |
| 381290-4 | 180 | A1186 | 113 | F103 | 21 |
| 381290-6 | 180 | A1188 | 113 | F104 | 21 |
| 381290-8 | 180 | A1190 | 113 | F105 | 19 |
| 381290-10 | 180 | B154 | 26, 130 | F106 | 21 |
| 381290-16 | 180 | B200 | 24 | F401 | 44 |
| 381303-4 | 180 | B201 | 24 | F403 | 43 |
| 381303-6 | 180 | B203 | 24 | F404 | 43 |
| 381303-8 | 180 | B205 | 24 | F406 | 44 |
| 381303-10 | 180 | B408 | 25 | F7117 | 43 |
| 381303-16 | 180 | B412 | 53 | F331035 | 12, 25 |
| 382064 | 188 | B1610-BL | 125 | M336 | 123 |
| 383588-1 | 183 | B1611-B | 125 | M1184 | 113 |
| 383588-2 | 183 | B1613-B | 125 | SWA274 | 195, 196, 197, 199 |
| 383588-3 | 183 | B1627-B | 125 | SWA306 | 50 |
| 383588-4 | 183 | B1629-B | 125 | VB942 | 26, 130 |
| 383588-5 | 183 | B1637-B1 | 125 | Z737 | 26, 131 |
| 383588-6 | 183 | B1641-B | 125 | Z741-A | 117 |
| 383588-7 | 183 | B1688-B | 125 | | |
| 383617-10 | 183 | B1741-A | 167 | | |
| 383617-11 | 183 | B1911-B1 | 125 | | |



Alemite is an SKF Group Brand

5148 North Hanley Road

St. Louis, MO 63134

Toll Free U.S.: 866-4-ALEMITE (866-425-3648)

Toll Free Canada: 800-267-8022

International: 803-802-0001

www.alemite.com